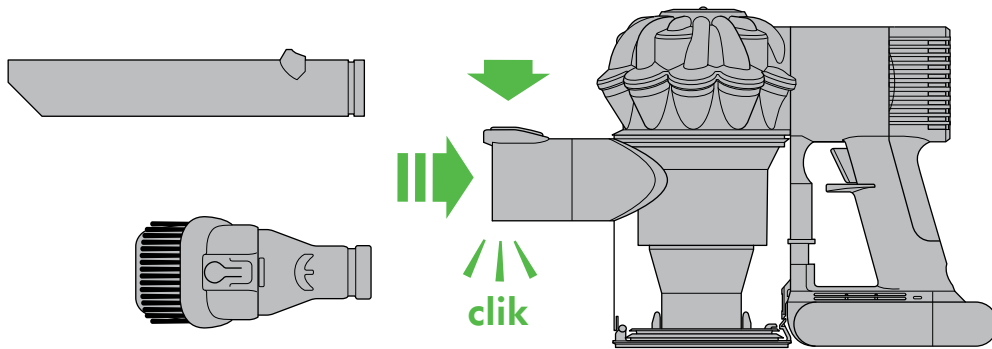


ASSEMBLY
ARMADO



WASH FILTER

Wash filter with cold water at least every month.

LAVE EL FILTRO

Lave el filtro con agua fría al menos cada mes.

REGISTER TODAY

3 easy ways to register your 2 year warranty.

REGISTRE HOY

3 maneras fáciles de registrarse sus 2 años de garantía.



IMPORTANT SAFETY INSTRUCTIONS

BEFORE USING THIS MACHINE READ ALL INSTRUCTIONS AND CAUTIONARY MARKINGS IN THIS MANUAL AND ON THE MACHINE

When using an electrical appliance, basic precautions should always be followed, including the following:

WARNING

These warnings apply to the appliance, and also where applicable, to all tools, accessories, chargers or mains adaptors.

TO REDUCE THE RISK OF FIRE, ELECTRIC SHOCK, OR INJURY:

1. This Dyson machine is not intended for use by persons (including children) with reduced physical, sensory or reasoning capabilities, or lack of experience and knowledge, unless they have been given supervision or instruction concerning use of the machine by a person responsible for their safety.
2. Do not allow to be used as a toy. Close attention is necessary when used by or near children. Children should be supervised to ensure that they do not play with the machine.
3. Use only as described in this Dyson Operating Manual. Do not carry out any maintenance other than that shown in this manual, or advised by the Dyson Helpline.
4. Suitable for dry locations ONLY. Do not use outdoors or on wet surfaces.
5. Do not handle any part of the plug or machine with wet hands.
6. Do not use with a damaged cord or plug. If the supply cord is damaged it must be replaced by Dyson, its service agent or similarly qualified persons in order to avoid a hazard.
7. If the machine is not working as it should, has received a sharp blow, has been dropped, damaged, left outdoors, or dropped into water, do not use and contact the Dyson Helpline.
8. Contact the Dyson Helpline when service or repair is required. Do not disassemble the machine as incorrect reassembly may result in an electric shock or fire.
9. Do not stretch the cord or place the cord under strain. Keep the cord away from heated surfaces. Do not close a door on the cord, or pull the cord around sharp edges or corners. Arrange the cord away from traffic areas and where it will not be stepped on or tripped over. Do not run over the cord.
10. Do not unplug by pulling on the cord. To unplug, grasp the plug, not the cord. The use of an extension cord is not recommended.
11. Do not use to pick up water.
12. Do not use to pick up flammable or combustible liquids, such as gasoline, or use in areas where they or their vapors may be present.
13. Do not pick up anything that is burning or smoking, such as cigarettes, matches, or hot ashes.
14. Keep hair, loose clothing, fingers, and all parts of the body away from openings and moving parts. Do not point the hose, wand or tools at your eyes or ears or put them in your mouth.
15. Do not put any object into openings. Do not use with any opening blocked; keep free of dust, lint, hair, and anything that may reduce airflow.
16. Use only Dyson recommended accessories and replacement parts.
17. Do not use without the clear bin and filter in place.
18. Unplug from the outlet when not in use for extended periods and before maintenance or servicing.
19. Use extra care when cleaning on stairs.
20. Do not install, charge or use this machine outdoors, in a bathroom or within 10 feet (3 meters) of a pool. Do not use on wet surfaces and do not expose to moisture, rain or snow.
21. Use only Dyson chargers for charging this Dyson machine. Use only Dyson approved batteries: other types of batteries may burst, causing injury to persons and damage.
22. Do not incinerate this machine even if it is severely damaged. The battery may explode in a fire.
23. Always turn 'OFF' the machine before connecting or disconnecting the motorised brush bar.

READ AND SAVE THESE INSTRUCTIONS

THIS DYSON MACHINE IS INTENDED FOR HOUSEHOLD USE ONLY

POLARIZATION INSTRUCTIONS

To reduce the risk of electric shock, this machine has a polarized plug (one blade is wider than the other). This plug will fit in a polarized outlet only one way. If the plug does not fit fully in the outlet, reverse the plug. If it still does not fit, contact a qualified electrician to install the proper outlet. Do not attempt to defeat this safety feature and do not change the plug in any way.



Do not use near open flames.



Do not store near heat sources.



Do not pick up water or liquids.



Do not pick up burning objects.



Do not put hands near the brush bar when the machine is in use.

INSTRUCCIONES DE SEGURIDAD IMPORTANTES

ANTES DE UTILIZAR ESTA MÁQUINA, LEA TODAS LAS INSTRUCCIONES Y LA INDICACIONES DE PRECAUCIÓN QUE VIENEN TANTO EN ESTE MANUAL COMO EN LA MÁQUINA

Cuando se usa un aparato eléctrico, deben seguirse las precauciones básicas para reducir riesgos de incendio, descarga eléctrica y lesiones personales, que incluyen lo siguiente:

PELIGRO

PARA DISMINUIR EL RIESGO DE PROVOCAR UN INCENDIO, RECIBIR UNA DESCARGA ELÉCTRICA O LESIONES:

1. Este aparato Dyson no está destinada para el uso por parte de personas (incluso niños) con capacidades físicas, cognitivas o mentales reducidas, o con falta de experiencia y conocimiento, salvo que hubieran recibido supervisión o instrucciones acerca del uso del aparato por parte de una persona responsable por su seguridad.
2. No permita que se utilice como un juguete. Es necesaria la atención de un adulto cuando es utilizada por o cerca a un niño. Los niños deben ser supervisados para asegurarse de que no jueguen con la máquina.
3. Utilícela solamente como se describe en este manual de funcionamiento Dyson. No realice ningún otro mantenimiento que no sea el mostrado en este manual, o el recomendado por la línea de ayuda de servicio al cliente Dyson.
4. Adecuada SOLAMENTE para lugares secos. No utilice para aspirar agua u otros líquidos.
5. No manipule el enchufe o de la máquina con las manos mojadas.
6. No lo use si el cable o el enchufe están dañados. Si se ha dañado el cable de corriente, deberá ser reemplazado por Dyson, uno de sus representantes de servicio u otra persona igualmente capacitada a fin de evitar un peligro.
7. Si la máquina no funciona como es debido, ha recibido un golpe fuerte o se ha caído, dañado, dejado a la intemperie, o sumergido en agua, no lo utilice y comuníquese con la línea de ayuda de servicio al cliente Dyson.
8. Comuníquese con la línea de ayuda de servicio al cliente Dyson cuando se requiera mantenimiento o reparación. No desmonte la máquina, ya que un montaje incorrecto puede provocar descargas eléctricas o incendios.
9. No estire el cable ni permita que ejerza presión. Manténgalo alejado de superficies calientes. No apriete el cable cuando cierre la puerta ni tire del cable en bordes o puntas filosas. Acomode el cable de tal modo que quede alejado de áreas transitadas y lugares donde se lo pise o cause tropiezos. No pise el cable con la máquina.
10. No desconecte la máquina tirando del cable. Para desconectar, tome el enchufe y no el cable. No es recomendable utilizar una extensión de cable.
11. No utilice para aspirar agua u otros líquidos.
12. No aspire líquidos inflamables o combustibles como gasolina, ni la utilice en áreas dónde pueda haber este tipo de líquido.
13. No aspire nada que se esté quemando o que emita humo, como cigarrillos, fósforos o cenizas calientes.
14. Mantenga el cabello, ropa suelta, los dedos y cualquier otra parte del cuerpo alejados de las aberturas y de las partes móviles. No apunte con la manguera, la empuñadura o los accesorios a los ojos u orejas, ni se los meta en la boca.
15. No obstruya las aberturas de la máquina con ningún objeto. No utilice la máquina si tiene alguna abertura obstruida; manténgalas libres de polvo, pelusas, cabellos o cualquier otra cosa que pueda reducir la circulación del aire.
16. Utilice solamente los accesorios y las piezas de repuesto recomendadas por Dyson.
17. No manipule el enchufe o de la máquina con las manos mojadas.
18. Desconéctelo del tomacorriente si no lo va a utilizar durante mucho tiempo y antes de realizar mantenimiento.
19. Tenga mucho cuidado cuando utilice la máquina sobre una escalera.
20. No instale, recargue o utilice esta máquina en exteriores, en un baño o a una distancia menor a 10 pies (3 metros) de una piscina. No lo utilice sobre superficies mojadas, ni lo exponga a humedad, lluvia o nieve.
21. Utilice sólo cargadores Dyson para recargar esta máquina Dyson. Utilice sólo baterías Dyson aprobadas: otros tipos de baterías pueden explotar y causar lesiones personales y daños materiales.
22. No incinere esta máquina, aunque esté muy dañado. El fuego podría hacer explotar la batería.
23. Siempre apague el aparato antes de conectar o desconectar el cepillo motorizado.

LEA Y GUARDE ESTAS INSTRUCCIONES

ESTA MÁQUINA DYSON ES PARA USO DOMÉSTICO SOLAMENTE

INSTRUCCIONES DE POLARIZACIÓN

Para disminuir el riesgo de choque eléctrico, esta máquina lleva un enchufe polarizado (una clavija es más ancha que la otra). Este enchufe se conecta a una toma de corriente polarizada de una sola forma. Si el enchufe no entra totalmente en la toma de corriente, dé la vuelta al enchufe. Si sigue sin entrar bien, póngase en contacto con un electricista calificado para instalar una toma de corriente correcta. No intente violar este dispositivo de seguridad, ni haga modificación alguna al enchufe.



No guarde la máquina cerca de fuentes de calor.



No utilice la máquina cerca de una llama.



No aspire agua o líquidos.

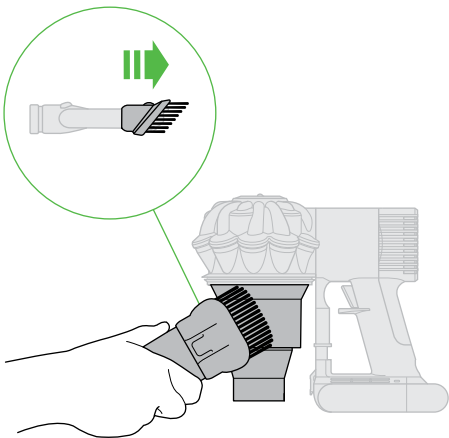
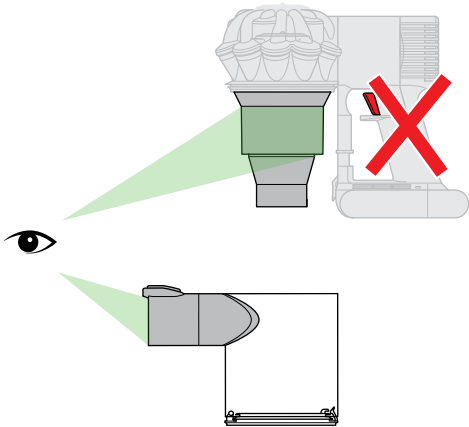
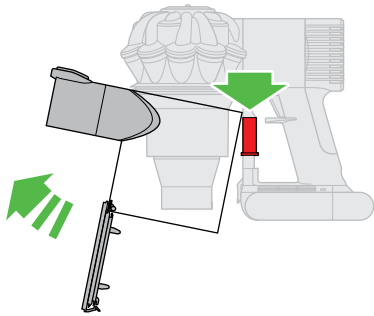
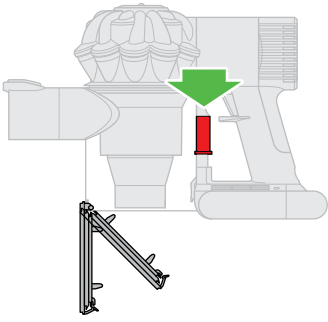
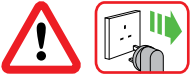


No aspire objetos que se estén quemando.

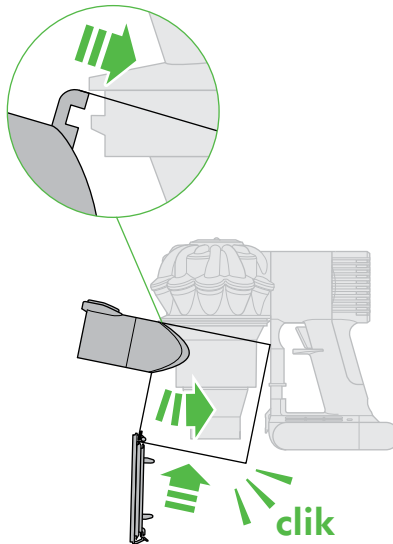
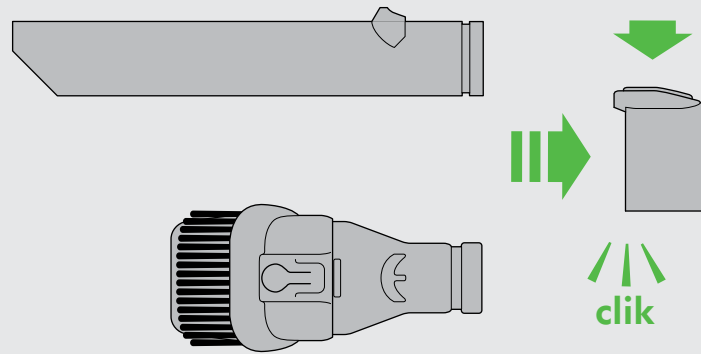
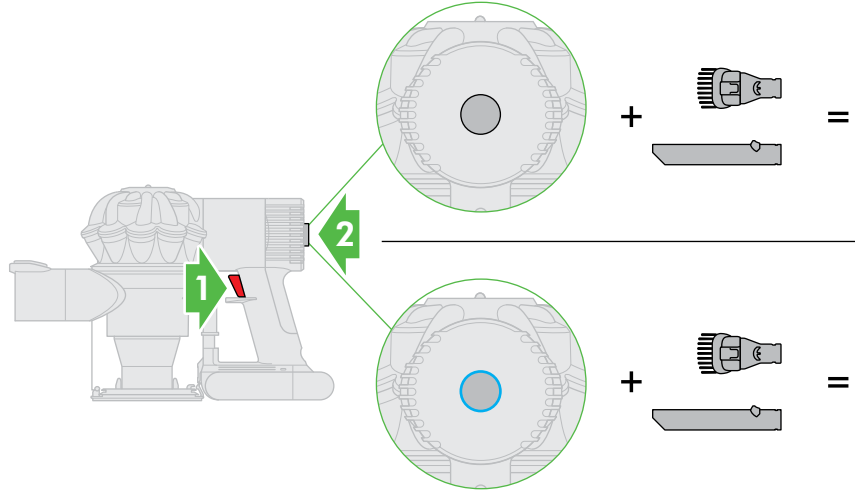


No coloque las manos cerca del cepillo cuando el aparato esté en funcionamiento.

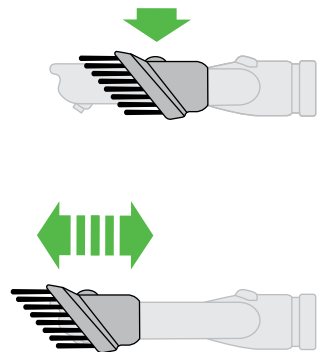
Looking for blockages
Cómo buscar obstrucciones



Power
Potencia



Combination tool
Herramienta de combinación



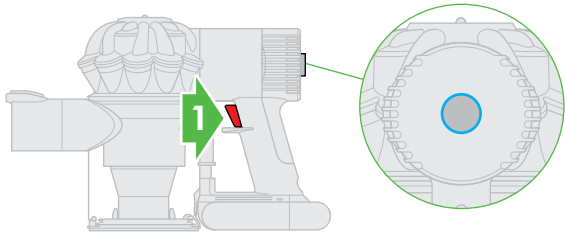
High constant suction
Poderosa succión
constante

20 minutes.
20 minutos.


Boost mode
Modo refuerzo

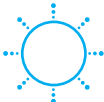
6 minutes.
6 minutos.

Diagnostics Diagnósticos


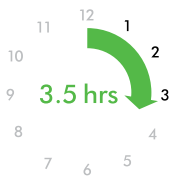


1

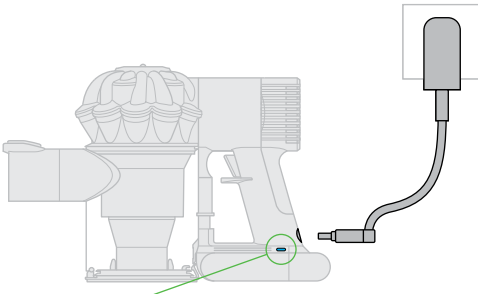
 Low battery.
Batería baja.


 For further diagnostics refer to the 'Usage' section
Para obtener más información de diagnóstico,
consulte la sección sobre uso.


Charging Recarga

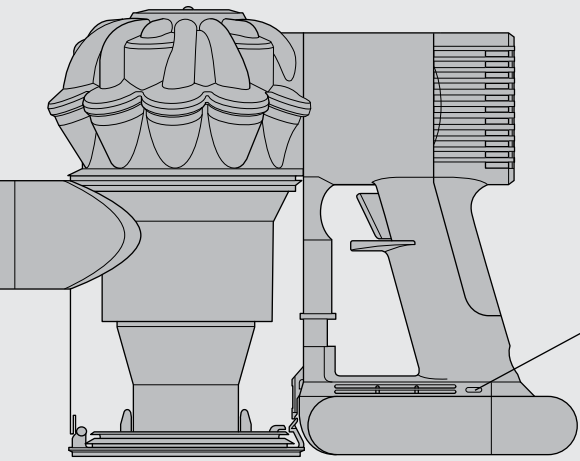



3.5 hrs

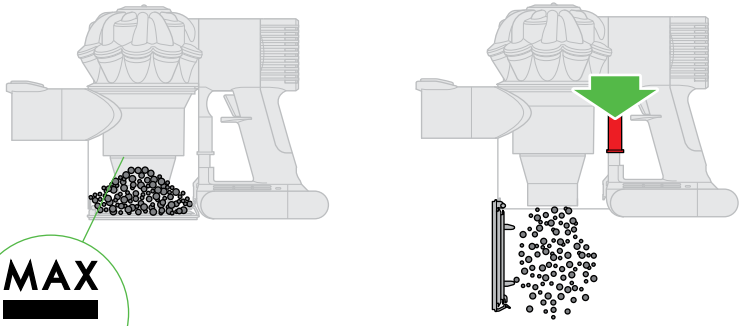


 Charging
Recarga


 Fully charged.
Totalmente cargada.



Emptying Cómo vaciar

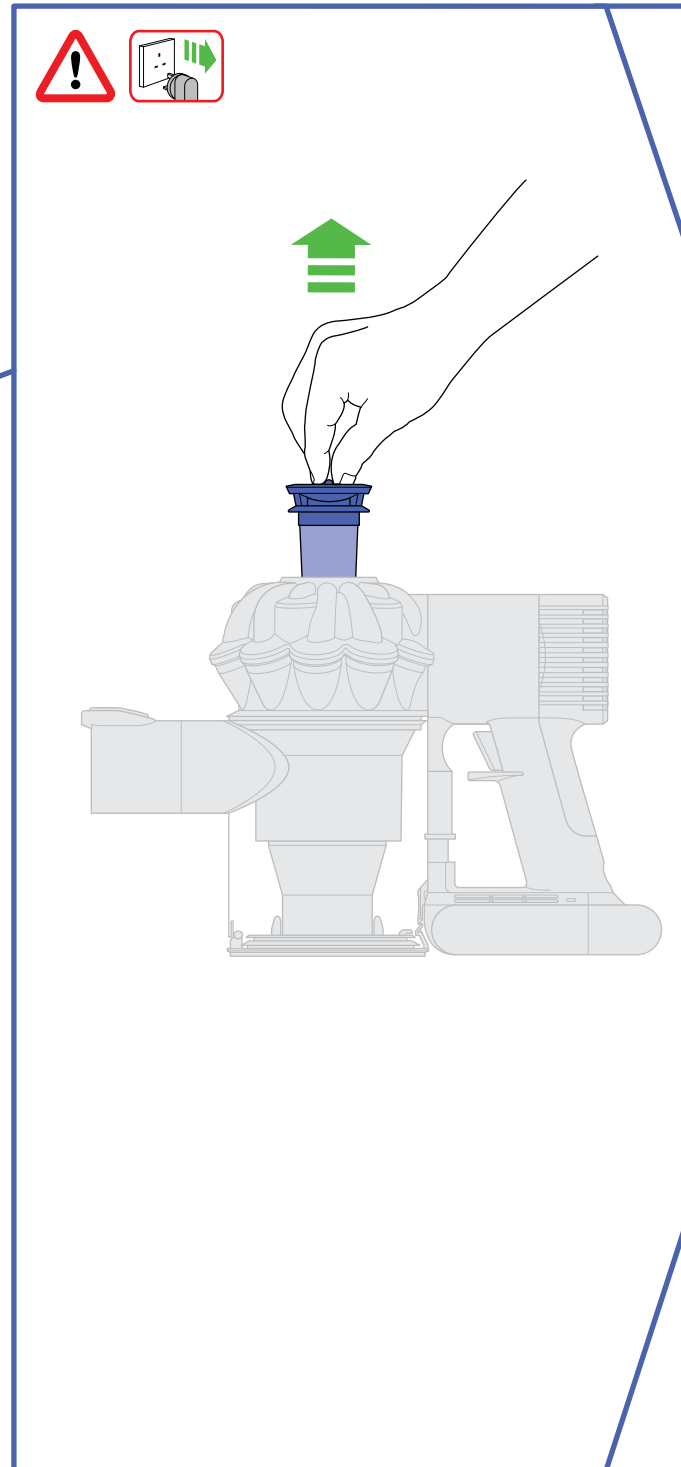
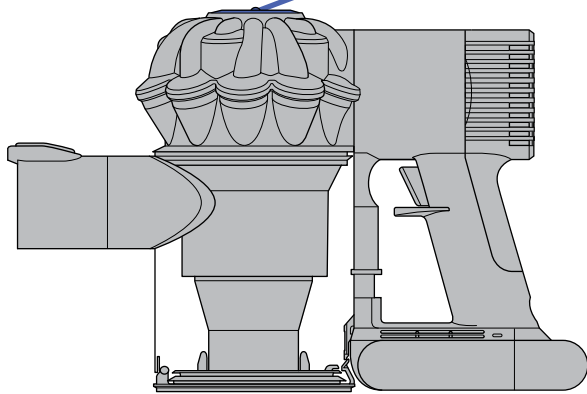


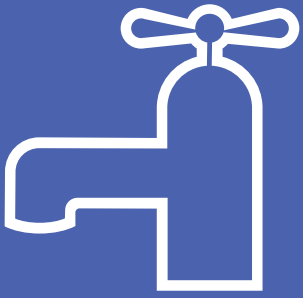
MAX



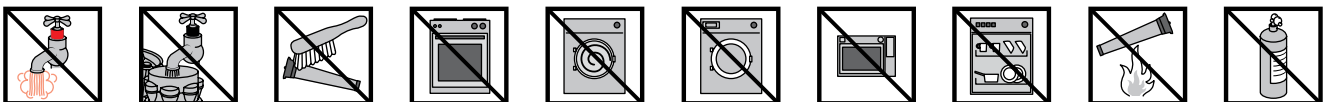
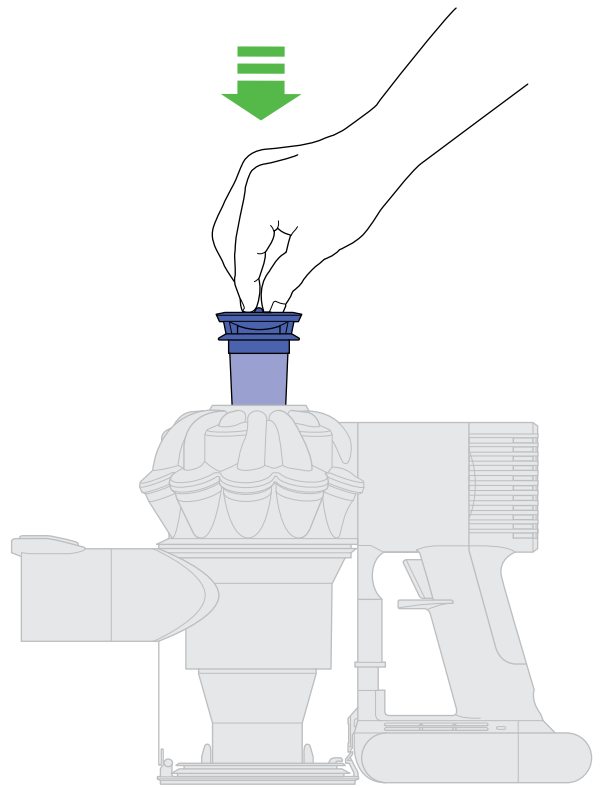
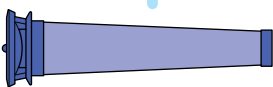
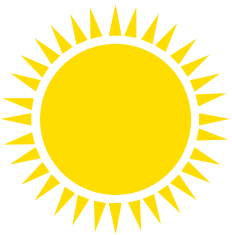
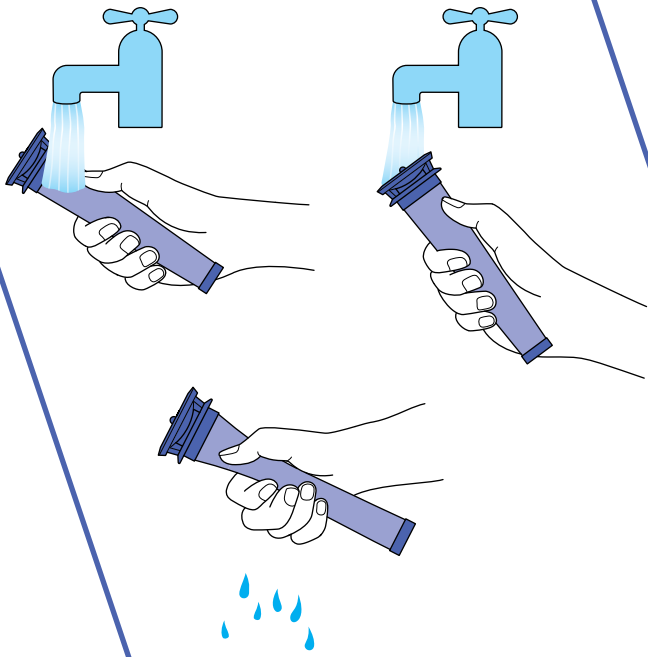
IMPORTANT! ¡IMPORTANTE!

WASH FILTER
LAVE EL FILTRO





Wash filter with cold water at least every month.
Lave el filtro con agua fría al menos cada mes.



USING YOUR DYSON MACHINE

PLEASE READ THE 'IMPORTANT SAFETY INSTRUCTIONS' IN THIS DYSON OPERATING MANUAL BEFORE PROCEEDING.

OPERATION

- Do not use outdoors or on wet surfaces or to vacuum water or other liquids – electric shock could occur.
- Ensure the machine remains upright in use. Dirt and debris may be released if it is turned upside down.
- Do not operate while checking for blockages as doing so could result in personal injury
- For domestic indoor and car use only. Do not use it while the car is in motion or while driving.
- To operate the boost mode, hold the trigger down and press the boost button. The 'boost' button will light up.
- To switch off boost mode, hold the trigger down and press the boost button again. Note: The machine will retain the last used mode. So if you use it in boost mode and do not disengage it, the machine will operate in boost mode when it is next used until you depress the boost button to disengage it.
- To watch a short online video visit: www.dyson.com/dc58gettingstarted

CARPETS OR HARD FLOORS

- Before vacuuming your flooring, rugs and carpets, check the manufacturer's recommended cleaning instructions.
- Before vacuuming highly polished floors, such as wood or lino, first check that the underside of the floor tool and its brushes are free from foreign objects that could cause marking.

LOOKING AFTER YOUR DYSON MACHINE

- Do not carry out any maintenance or repair work other than that shown and described in this Dyson Operating Manual, or advised by the Dyson Helpline.
- Only use parts recommended by Dyson. If you do not this will invalidate your warranty.
- Store the machine indoors. Do not use or store it below 37.4°F (3°C). Ensure the machine is at room temperature before operating.
- Clean the machine only with a dry cloth. Do not use any lubricants, cleaning agents, polishes or air fresheners on any part of the machine.

VACUUMING

- Do not use without the clear bin and filter in place.
- Fine dirt such as flour should only be vacuumed in very small amounts.
- Do not use the machine to pick up sharp hard objects, small toys, pins, paper clips, etc. They may damage the machine.
- When vacuuming, certain carpets may generate small static charges in the clear bin. These are harmless and are not associated with the mains electricity supply. To minimise any effect from this, do not put your hand or insert any object into the clear bin unless you have first emptied it. Clean the clear bin with a damp cloth only. (See 'Cleaning the clear bin'.)
- Use extra care when cleaning on stairs.
- Do not rest the machine on chairs, tables, etc.
- Do not press down on the nozzle with excessive force when using the machine as this may cause damage.
- Do not leave the cleaner head in one place on delicate floors.
- On waxed floors the movement of the cleaner head may create an uneven luster. If this happens, wipe with a damp cloth, polish the area with wax, and wait for it to dry.

EMPTYING THE CLEAR BIN

- Empty as soon as the dirt reaches the level of the MAX mark – do not overfill.
- Ensure the machine is disconnected from the charger before emptying the clear bin. Be careful not to pull the 'ON' trigger.
- To release the dirt, push the red button by the clear bin. Press once to open the bin base. Press a second time to release the clear bin from the main body of the machine.
- To minimize dust/allergen contact when emptying, encase the clear bin tightly in a plastic bag and empty.
- Remove the clear bin carefully from the bag.
- Seal the bag tightly, dispose as normal.
- Close the clear bin base so it clicks into place and is secure.

CLEANING THE CLEAR BIN

- Ensure the machine is disconnected from the charger before removing the clear bin. Be careful not to pull the 'ON' trigger.
- Push the red button by the clear bin. Press once to open the bin base. Press a second time to release the clear bin from the main body of the machine.
- Remove the clear bin carefully.
- Clean the clear bin with a damp cloth only.
- Do not use detergents, polishes or air fresheners to clean the clear bin.
- Do not put the clear bin in a dishwasher.
- Clean the cyclone shroud with the brush on the combination tool to remove lint and dust.
- Ensure the clear bin is completely dry before replacing.
- To replace the clear bin, push the clear bin up and in to the main body of the machine. It will click into place.
- Close the clear bin base so it clicks into place and is secure.

WASHING YOUR FILTER

- Ensure the machine is disconnected from the charger before removing the filter. Be careful not to pull the 'ON' trigger.
- Your machine has one washable filter, located as shown.

- To remove the filter, lift it out of the top of the machine.
- Check and wash the filter regularly according to instructions to maintain performance.
- The filter may require more frequent washing if vacuuming fine dust or if used mainly in 'HIGH CONSTANT SUCTION' mode.
- Wash the filter with cold water only.
- Run water over the outside of the filter until the water runs clear.
- Squeeze and twist with both hands to make sure the excess water is removed.
- Lay the filter on its side to dry. Leave to dry completely for a minimum of 24 hours.
- Do not put the filter in a dishwasher, washing machine, tumble dryer, oven, microwave or near an open flame.
- To refit, place the dry filter back into the top of the machine. Make sure it is seated properly.
- To watch a short online video visit: www.dyson.com/dc58filterwash

LOOKING FOR BLOCKAGES

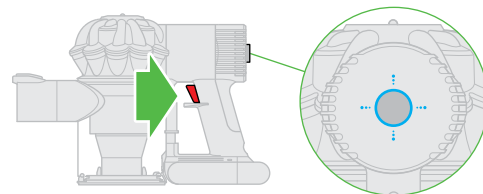
- Ensure the machine is disconnected from the charger before looking for blockages. Be careful not to pull the 'ON' trigger.
- Do not operate while checking for blockages as doing so could result in personal injury
- Beware of sharp objects when checking for blockages.
- Refit all parts securely before using.
- Clearing blockages is not covered by your warranty.





BLOCKAGES – THERMAL CUT-OUT

- This machine is fitted with an automatically resetting thermal cut-out.
- Large items may block the tools or nozzle. If any part becomes blocked the machine may overheat and automatically cut-out.
- Leave to cool down for 1-2 hours before checking the filter or for blockages.
- Ensure the machine is disconnected from the charger before looking for blockages. Failure to do so could result in personal injury.
- Clear any blockage before restarting.
- Refit all parts securely before using.
- Clearing blockages is not covered by your warranty.

DIAGNOSTICS - MAIN BODY

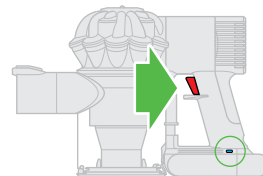
When in use, trigger pressed:








-  Solid blue: Boost 'ON'.
-  Light off: Powerful suction.
-  Flashing blue: Low battery warning.
-  Fast flashing blue: No power, temporary fault (e.g. check filter or for blockages).

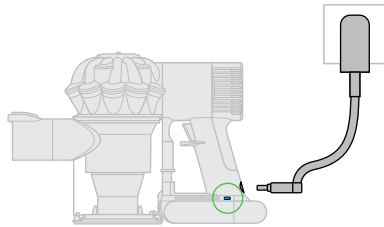
DIAGNOSTICS – BATTERY






when in use, trigger pressed:



-  Solid blue: 'ON'.
-  Flashing blue: No power, charge battery.
-  Flashing amber: No power, temporary fault (e.g. too hot/cold).
-  Solid amber: Fault, if persists contact Dyson helpline.
-  Flashing red: Fault (contact Dyson helpline).

When charging battery:



-  Solid blue: Charging.
-  Flashing blue - Not charging - Re-fit charger or try another socket. If persists, contact helpline.
-  Lights off: Charging complete.
-  Solid amber: Not charging, temporary fault (e.g. too hot/cold).
-  Flashing red: Fault (contact Dyson helpline).

CHARGING AND STORING

- This machine will switch 'OFF' if the battery temperature is below 37.4°F (3°C). This is designed to protect the motor and battery. Do not charge the machine and then move it to an area with a temperature below 37.4°F (3°C) for storage purposes.
- To help prolong battery life, avoid recharging immediately after a full discharge. Allow to cool for a few minutes.
- Avoid using the machine with the battery flush to a surface. This will help it run cooler and prolong battery run time and life.

BATTERY SAFETY INSTRUCTIONS

- If the battery needs replacing please contact the Dyson Helpline.
- Use only Dyson chargers for charging this Dyson machine.
- The battery is a sealed unit and under normal circumstances poses no safety concerns. In the unlikely event that liquid leaks from the battery do not touch the liquid and observe the following precautions:
Skin contact – can cause irritation. Wash with soap and water.
Inhalation – can cause respiratory irritation. Expose to fresh air and seek medical advice.
Eye contact – can cause irritation. Immediately flush eyes thoroughly with water for at least 15 minutes. Seek medical attention.
Disposal – wear gloves to handle the battery and dispose of immediately, following local ordinances or regulations.

CAUTION

The battery used in this device may present a risk of fire or chemical burn if mistreated. Do not disassemble, short contacts, heat above 140°F (60°C), or incinerate. Keep away from children. Do not disassemble and do not dispose of in fire.

DYSON CUSTOMER CARE

THANK YOU FOR CHOOSING TO BUY A DYSON MACHINE

If you have a question about your Dyson machine, call the Dyson Helpline with your serial number and details of where and when you bought the machine. Most questions can be solved over the phone by one of our Dyson Helpline staff. If your Dyson machine needs service, call the Dyson Helpline so we can discuss the available options. If your Dyson machine is under warranty, and it is a covered repair, it will be repaired at no cost. Your serial number can be found on your rating plate which is on the main body of the machine behind the clear bin.

PLEASE REGISTER AS A DYSON MACHINE OWNER

To help us ensure you receive prompt and efficient service, please register as a Dyson machine owner. There are three ways to do this:

- Online at www.dyson.com
 - Telephone the Dyson Helpline, 1-855-533-1098.
 - Complete the enclosed Warranty Form and mail it to us.
- This will confirm ownership of your Dyson machine in the event of an insurance loss, and enable us to contact you if necessary.

2 YEAR WARRANTY

TERMS AND CONDITIONS OF THE DYSON 2 YEAR LIMITED WARRANTY

WHAT IS COVERED

Your Dyson machine is warranted against original defects in materials and workmanship for a period of 2 years from the date of purchase, when used for normal domestic purposes in accordance with the Dyson Operating Manual. Please retain your proof of purchase. If you do not have your proof of purchase, your warranty will start 90 days after the date of manufacture, according to Dyson's records. This warranty provides, at no extra cost to you, all labor and parts necessary to ensure your machine is in proper operating condition during

the warranty period. The replacement of any part of your machine under warranty will not extend the period of warranty. Any parts which are returned and replaced by Dyson will become the property of Dyson. Please call the Dyson Helpline at 1-855-533-1098 for more information. This limited warranty is subject to the following terms:

WHAT IS NOT COVERED

Dyson shall not be liable for costs, damages or repairs incurred as a result due to, or from:

- Purchases of machines from unauthorized dealers.
- Careless operation or handling, misuse, abuse and/or lack of maintenance or use not in accordance with the Dyson Operating Manual.
- Use of the machine other than for normal domestic purposes within the United States, e.g. for commercial or rental purposes.
- Use of parts not in accordance with the Dyson Operating Manual.
- Use of parts and accessories other than those produced or recommended by Dyson.
- External sources such as weather, electrical outages or power surges.
- Repairs or alterations carried out by unauthorized parties or agents.
- Clearing blockages from your machine or washing of the filter.
- Normal wear and tear, including normal wearing parts, such as clear bin, belt, filter, brush bar, hose assembly and power cord (or where external damage or abuse is diagnosed), carpet or floor damage due to use not in accordance with manufacturer's instructions or failure to turn the brush bar off when necessary.
- Use of this machine on rubble, ash, plaster, drywall, liquids, or wet surfaces.
- Reduction in battery discharge time due to battery age or use (where applicable).

WARRANTY LIMITATIONS AND EXCLUSIONS

- Any implied warranties relating to your machine including but not limited to warranty of merchantability or warranty of fitness for a particular purpose, are limited to the duration of this warranty. This limitation is not allowed by some States and so this limitation may not apply to you.
- Your remedy for breach of this warranty is limited to the warranty service described above. Dyson will not be liable for any consequential damages or incidental damages you may incur in connection with your purchase and use of your machine. This limitation is not allowed by some States and so this limitation may not apply to you.
- This limited warranty gives you specific legal rights. You may also have other rights which vary by State.
- This limited warranty is not transferable.

WARRANTY SERVICE

- Please fill out and return the Warranty Form.
- Before service can take place, the terms of the warranty require that you contact the Dyson Helpline with your model name/number, serial number, date and place of purchase.
- Please keep your purchase receipt in a safe place to ensure you have this information, which you may be required to provide to Dyson.
- All work will be coordinated by Dyson or its authorized agents.
- Any replaced defective parts will become the property of Dyson.
- Service under this warranty will not extend the period of this warranty.
- If your machine is not functioning properly, please call the Dyson Helpline at 1-855-533-1098. Most issues can be rectified over the telephone by our trained Customer Care staff.

IMPORTANT DATA PROTECTION INFORMATION

- Your details will be held by Dyson or others on behalf of Dyson so that we can assist you more quickly in our Customer Service department.
- From time to time, Dyson may send you special offers and news of our latest innovations. Check the box on the Warranty Form within the Dyson Operating Manual if you do not wish to receive marketing or promotional information from Dyson.
- For more information about our data collection practices, please refer to the Dyson privacy policy at www.dyson.com/privacy

DISPOSAL INFORMATION

- Dyson products are made from high grade recyclable materials. Recycle where possible.
- The battery should be removed from the product before disposal.
- Dispose of or recycle the battery in accordance with local ordinances or regulations.

USO DE SU MÁQUINA DYSON

ANTES DE CONTINUAR, SÍRVASE LEER LAS "INSTRUCCIONES DE SEGURIDAD IMPORTANTES" DE ESTE MANUAL DE FUNCIONAMIENTO DYSON.

FUNCIONAMIENTO

- No la utilice en exteriores ni sobre superficies mojadas, ni para aspirar agua u otros líquidos, ya que podrían producirse descargas eléctricas.
- Asegúrese de que la máquina está colocado en posición vertical al utilizarlo. Es posible que el aparato expulse suciedad y residuos si se coloca en posición invertida.
- No ponga a funcionar el aparato cuando esté verificando posibles obstrucciones.
- Sólo para uso doméstico y para automóviles. No lo utilice si el coche está en movimiento o mientras maneja.
- Para activar el modo de aceleración, mantenga presionado el gatillo y presione el botón Aceleración. Se encenderá el botón Aceleración.
- Para desactivar el modo de aceleración, mantenga presionado el gatillo y vuelva a presionar el botón Aceleración. Nota: el aparato funcionará en el último modo en que se utilizó. Por lo tanto, si lo utiliza en el modo de aceleración y no lo desactiva, la próxima vez que lo utilice, el aparato funcionará en el modo de aceleración. Para desactivarlo, presione el botón Aceleración.
- Para ver un breve vídeo en línea, visite: www.dyson.com/dc58gettingstarted

ALFOMBRAS O PISOS

- Antes de aspirar sus pisos, tapetes y alfombras, consulte las instrucciones de limpieza que recomienda el fabricante.
- Antes de aspirar pisos con alto grado de pulido, como los de madera o linóleo, verifique primero que el lado inferior del accesorio para pisos y sus cepillos no tienen objetos extraños que puedan producir marcas.

CÓMO CUIDAR SU MÁQUINA DYSON

- No realice ningún tipo de mantenimiento o reparaciones que no sean las indicadas y descritas en este Manual de Funcionamiento Dyson o que se le sugiera en la línea de ayuda de Dyson.
- Utilice únicamente las piezas que recomienda Dyson. Si no cumple con lo especificado, su garantía perderá la validez.
- Almacene la máquina en un espacio cerrado. No lo utilice si la temperatura es menor de 37.4° F (3° C). Compruebe que la máquina está a temperatura ambiente antes de ponerlo en funcionamiento.
- Limpie máquina únicamente con un paño seco. No utilice ningún lubricante, agente de limpieza, pulidor o aromatizador en ninguna parte del máquina.

PARA ASPIRAR

- No lo utilice si el compartimiento cubo transparente y el filtro no están colocados en su lugar.
- La suciedad fina, como el polvo de harina, deberá aspirarse sólo en pequeñas cantidades.
- No utilice la máquina para recoger objetos duros cortantes, juguetes pequeños, alfileres, sujetapapeles, etc., ya que podrían dañar la máquina.
- Durante el proceso de aspiración, es posible que algunas alfombras generen pequeñas cargas estáticas en el cubo transparente o tubo. Son inofensivas y no están asociadas con el suministro de la red eléctrica. A fin de reducir los posibles efectos, no coloque la mano ni introduzca ningún objeto en el cubo transparente si aún no se vació. Lave el compartimiento cubo transparente únicamente con un paño húmedo. (See 'Cómo limpiar el cubo transparente'.)
- Tenga mucho cuidado cuando utilice la máquina sobre una escalera.
- No recargue la máquina sobre sillas, mesas, etc.
- No presione con demasiada fuerza la boquilla cuando utilice la máquina porque esto puede provocar daños.
- No deje el cabezal de la aspiradora en un solo lugar si está sobre pisos delicados.
- En los pisos encerados, el movimiento de la máquina puede generar un lustre disparejo. Si esto sucede, limpie con un paño húmedo, pule la área con cera, y aguarde hasta que se seque.

CÓMO VACIAR EL CUBO TRANSPARENTE

- Vacíe el compartimiento cuando la basura llegue al nivel máximo. Evite sobrecargarlo.
- Asegúrese de desconectar la máquina del cargador antes de vaciar el compartimiento cubo transparente. Tenga cuidado de no jalar el gatillo de encendido ('ON').
- Para liberar la suciedad, presione el botón rojo situado al lado del cubo transparente. Presione una sola vez para abrir la base del cubo. Presione por segunda vez para quitar el cubo transparente de la estructura principal del aparato.
- Para minimizar el contacto con polvo/alérgenos al efectuar el vaciado, introduzca el cubo transparente en una bolsa de plástico y vacíe el contenido.
- Quite cuidadosamente el compartimiento cubo transparente de la bolsa.
- Selle perfectamente la bolsa, elimínela como acostumbra hacerlo.
- Cierre la base del compartimiento cubo transparente hasta que haga clic y quede segura en su lugar.

CÓMO LIMPIAR EL CUBO TRANSPARENTE

- Asegúrese de desconectar la máquina del cargador antes de quitar el compartimiento cubo transparente. Tenga cuidado de no jalar el gatillo de encendido ('ON').
- Presione el botón rojo situado al lado del cubo transparente: presione una sola vez para abrir la base del cubo. Presione por segunda vez para quitar el cubo transparente de la estructura principal del aparato.

- Extraiga con cuidado el cubo transparente.
- Lave el compartimiento cubo transparente únicamente con un paño húmedo.
- No utilice detergente, líquido para encerar ni desodorante de ambientes para limpiar el compartimiento.
- No limpie el compartimiento en un lavavajillas.
- Limpie la tapa del extractor de polvo con el cepillo de la herramienta combinada para eliminar las pelusas y el polvo.
- Asegúrese de que el compartimiento esté totalmente seco antes de colocarlo.
- Para volver a colocar el cubo transparente, levante el cubo transparente y colóquelo en la estructura principal del aparato. Hará un clic cuando esté bien colocado en su lugar.
- Cierre la base del compartimiento cubo transparente hasta que haga clic y quede segura en su lugar.

CÓMO LAVAR EL FILTRO

- Asegúrese de desconectar la máquina del cargador antes de quitar el filtro. Tenga cuidado de no jalar el gatillo de encendido ('ON').
- Esta máquina tiene un filtro, ubicados como se muestra en las ilustraciones.
- Para quitar el filtro, extráigalo por la parte superior del aparato.
- Revise y lave el filtro con periodicidad, conforme a las instrucciones, para mantener el rendimiento.
- Si se va aspirar polvo fino o se utiliza principalmente en el modo de "PODEROSA SUCCIÓN CONSTANTE", será necesario lavar el filtro con mayor frecuencia.
- Utilice únicamente agua fría para lavar el filtro.
- Enjuague la parte exterior del filtro con agua hasta que esta salga completamente limpia.
- Escúrralo y gírelo con las dos manos para asegurarse de eliminar el exceso de agua.
- Coloque el filtro de costado para que se seque. Déjelo secar completamente durante 24 horas como mínimo.
- No coloque el filtro en el lavavajillas, el lavarropas, la secadora, el horno, el microondas o cerca del fuego.
- Para volver a colocarlo, introduzca el filtro seco por la parte superior del aparato. Asegúrese de colocarlo en la posición correcta.
- Para ver un breve video en línea, visite: www.dyson.com/dc58filterwash

CÓMO BUSCAR OBSTRUCCIONES

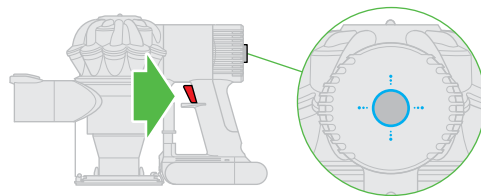
- Asegúrese de desconectar la máquina del cargador antes de inspeccionar en busca de obstrucciones. Tenga cuidado de no jalar el gatillo de encendido ('ON').
- No lo ponga en funcionamiento mientras verifica si hay obstrucciones.
- Tenga cuidado con los objetos filosos cuando inspeccione las obstrucciones.
- Reinstale todas las partes correctamente antes de utilizarlo.
- Su garantía limitada no cubre la eliminación de obstrucciones.

PARA ELIMINAR BLOQUEOS: SISTEMA DE DESCONEJÓN TÉRMICA

- Esta máquina posee un sistema de desconexión térmica.
- Los objetos grandes pueden obstruir los accesorios o la boquilla. Si alguna pieza está bloqueada, la máquina se puede sobrecalentar y se desconectará automáticamente.
- Permita que se enfríe durante 1-2 horas antes de inspeccionar el filtro en busca de obstrucciones.
- Asegúrese de desconectar la máquina del cargador antes de verificar si hay obstrucciones. Si no lo hace, podría sufrir lesiones.
- Elimine cualquier obstrucción antes de reiniciar el funcionamiento.
- Reinstale todas las partes correctamente antes de utilizarlo.
- Su garantía limitada no cubre la eliminación de obstrucciones.

DIAGNÓSTICO: ESTRUCTURA PRINCIPAL

Cuando está en funcionamiento, con el gatillo presionado:



○ Luz azul sólida: aceleración encendida

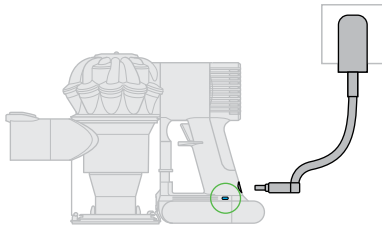
○ Luces apagadas: modo de succión potente.






○ Luz azul intermitente: advertencia de batería baja.

○ Luz azul intermitente rápida: No hay energía, fallo temporal (p. ej. comprobar el filtro o detectar obstrucciones).

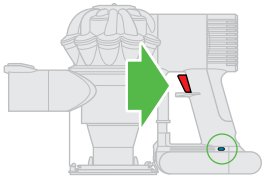
DIAGNÓSTICO: BATERÍA






Cuando está en funcionamiento, con el gatillo presionado:



-  Luz azul sólida: encendida.
-  Luz azul intermitente: no hay energía, cargue la batería.
-  Luz ámbar intermitente: no hay energía, fallo temporal (p. ej. la temperatura es muy alta o muy baja).
-  Luz ámbar sólida: fallo; si el problema continúa, comuníquese con la Línea Directa de Asistencia al Cliente de Dyson.
-  Luz roja intermitente: fallo (comuníquese con la Línea Directa de Asistencia al Cliente de Dyson).

Durante la carga de la batería:



-  Luz azul sólida: carga en curso.
-  Luz azul intermitente: no está cargando; reacondicione el cargador o pruebe con otra toma. Si el problema continúa, comuníquese con la Línea Directa de Asistencia al Cliente de Dyson.
-  Luces apagadas: carga completa.
-  Luz ámbar sólida: no carga, fallo temporal (p. ej. la temperatura es muy alta o muy baja).
-  Luz roja intermitente: fallo (comuníquese con la Línea Directa de Asistencia al Cliente de Dyson).

RECARGA Y ALMACENAMIENTO

- Esta máquina se apagará si la temperatura de la batería es inferior a 37.4 °F (3 °C). La finalidad de esto es proteger el motor y la batería. No recargue la máquina para luego almacenarlo en un área cuya temperatura sea inferior a 37.4 °F (3 °C).
- Para ayudar a prolongar la vida útil de la batería, evite recargarla inmediatamente después de que esté totalmente descargada. Permita que se enfríe durante algunos minutos.
- Evite utilizar la máquina con la batería a ras con una superficie. Esto ayudará a que funcione a una temperatura más baja y prolongará el tiempo de funcionamiento y la vida útil de la batería.

INSTRUCCIONES DE SEGURIDAD DE LA BATERÍA

- En caso de que deba reemplazar la batería, comuníquese con la línea directa de Asistencia al Cliente de Dyson.
- Utilice sólo cargadores Dyson para recargar esta máquina Dyson.
- La batería es una unidad sellada y en situaciones normales no implica riesgos de seguridad. En el evento improbable de que la batería drene líquido, no toque el líquido y tome las siguientes precauciones:
Contacto con la piel: puede ocasionar irritación. Lave con jabón y agua.
Inhalación: puede ocasionar irritación respiratoria. Provea aire fresco y busque asistencia médica.
Contacto con los ojos: puede ocasionar irritación. Lave perfectamente los ojos de inmediato con agua durante por lo menos 15 minutos. Busque atención médica.
Eliminación: use guantes para manipular la batería y elimínela inmediatamente de acuerdo con las ordenanzas o normativas locales.

PRECAUCIÓN:

El maltrato a la batería que usa esta máquina puede representar un riesgo de incendio o quemadura química. No la desarme, no provoque cortos, no la caliente a más 140°F (60°C) ni la incinere. Manténgala lejos del alcance de los niños. No la desarme ni la arroje al fuego.

SERVICIO DE ATENCIÓN AL CLIENTE DYSON

GRACIAS POR ELEGIR COMPRAR UNA MÁQUINA DYSON

Si tiene alguna duda acerca de su máquina Dyson, llame a la línea de ayuda de Dysonal con el número de serie e información de cuándo y dónde compró la máquina.
Si tiene más preguntas, puede consultar por teléfono a algún miembro de la línea de ayuda.
Si su máquina Dyson necesita reparación llame a la Línea de ayuda de Dyson para poder analizar las opciones disponibles. Si su máquina tiene garantía y la reparación necesaria está incluida dentro de esa garantía, se reparará sin costo alguno.
Su número de serie se encuentra en la placa de especificaciones situada en el cuerpo principal del aparato detrás del cubo transparente.

POR FAVOR REGÍSTRESE COMO PROPIETARIO DE UNA MÁQUINA DYSON

Para ayudarnos a asegurarle que reciba un servicio rápido y eficaz, por favor regístrese como propietario de una máquina Dyson. Hay dos maneras de hacerlo:

- En línea en www.dyson.com
- Llamando por teléfono a la Línea de ayuda de Dyson, 1-855-533-1098.
- Enviando por correo el formulario de garantía que se anexa, dirigido a nuestra dirección.

Esto confirmará que la máquina Dyson es de su propiedad en caso de que ocurra una pérdida cubierta por el seguro, y nos permitirá contactarle si fuese necesario.

2 AÑOS DE GARANTÍA

TÉRMINOS Y CONDICIONES DE LA GARANTÍA LIMITADA DE 2 AÑOS DE DYSON

QUÉ ESTÁ CUBIERTO

Su máquina Dyson está garantizado contra defectos originales de materiales o mano de obra por un período de 2 años a partir de la fecha de compra, cuando se utilice para fines domésticos normales y de acuerdo con el Manual de Instrucciones de Dyson. Conserve su factura de compra. Si no tiene la factura de compra, la validez de la garantía empezará a contar desde los 90 días posteriores a la fecha de fabricación, según los registros de Dyson. Esta garantía proporciona, sin costo para usted, toda la mano de obra y piezas para poner su máquina en perfectas condiciones de funcionamiento durante el plazo de garantía. El reemplazo de cualquier pieza de la máquina con garantía no extiende el período de la garantía. Todas las piezas que se reemplacen o se devuelvan a Dyson se convertirán en propiedad de Dyson. Comuníquese con la Línea Directa de Asistencia al Cliente de Dyson al 1-855-533-1098 para obtener más información.
Esta garantía está sujeta a los siguientes términos:

QUÉ NO ESTÁ CUBIERTO

Dyson no será responsable de los costos, daños o reparaciones originados como resultado de o debido a lo siguiente:

- Compras de máquinas de un proveedor no autorizado.
- El funcionamiento o manejo descuidado, uso indebido y/o falta de mantenimiento o el uso de forma contraria al Manual de Instrucciones de Dyson.
- El uso de la máquina contrario a los usos domésticos normales dentro de los Estados Unidos de América, por ejemplo, para el uso comercial o alquiler.
- El uso de piezas que no estén contempladas en el Manual de Instrucciones de Dyson.
- El uso de piezas y accesorios que no sean los producidos o recomendados por Dyson.
- Fuentes externas como el clima, las interrupciones eléctricas o las sobrecargas de energía.
- Reparaciones o alteraciones llevadas a cabo por partes o agentes no autorizados.
- Limpieza de obturaciones de la máquina o lavado del filtro.
- Uso y desgaste normal, incluido desgaste normal de partes como cubo transparente, banda, filtro, cepillo, ensamble de la manguera, y cable de corriente (o donde se diagnostique daño o abuso externo), daño a la alfombra o piso debido al uso no de acuerdo con las instrucciones del fabricante dado al caso de no apagar el cepillo cuando es necesario.
- Uso de esta máquina sobre goma, ceniza, masilla, paredes de yeso o superficies húmedas.
- La reducción del tiempo de descarga de la batería es debida a la antigüedad de la batería o uso.

LIMITACIONES Y EXCLUSIONES DE LA GARANTÍA

- Cualquier garantía implícita relacionada con su máquina, incluyendo pero sin limitarse a una garantía de comerciabilidad o garantía de idoneidad para un propósito en particular, se limita a la duración de esta garantía. Esta limitación no está permitida por algunos estados, por lo que esta limitación puede no aplicarse a usted.
- El recurso por el incumplimiento de esta garantía se limita al servicio de garantía descrito anteriormente. Dyson no será responsable de ningún daño consecuente o incidental en el que se pueda incurrir en conexión con la compra y uso de su máquina. Esta limitación no está permitida por algunos estados, por lo que esta limitación puede no aplicarse a usted.
- Esta garantía le otorga derechos legales específicos. Usted podría también tener otros derechos los cuales varían de acuerdo al estado.
- Esta garantía limitada no es transferible.

SERVICIO DE GARANTÍA

- Llene y devuelva el Formulario de la garantía.
- Antes de llevar a cabo el servicio, los términos de la garantía limitada requieren que usted se comunique a la línea de ayuda de Dyson con el nombre o número de su modelo, el número de serie, así como el lugar y la fecha de compra.
- Conserve su recibo de compra en un lugar seguro para cerciorarse de tener a la mano esta información, cuál usted puede ser requerido a proporcionar a Dyson.
- Todo trabajo será coordinado por Dyson o sus agentes autorizados.
- Cualquier pieza defectuosa que se reponga es propiedad de Dyson.
- El servicio que ampara esta garantía no amplía el período de la misma.
- Si su máquina no funciona correctamente, comuníquese a la línea de ayuda de Dyson al 1-855-533-1098. Nuestro personal de Atención al cliente podrá rectificar telefónicamente la mayoría de los problemas.

INFORMACIÓN IMPORTANTE PARA LA PROTECCIÓN DE DATOS

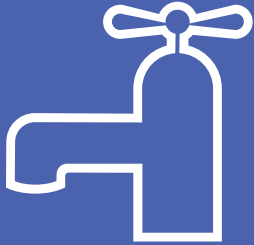
- Sus detalles serán retenidos por Dyson u otros en nombre de Dyson de manera que nuestro departamento de Servicio al cliente pueda brindarle asistencia con mayor rapidez.
- Dyson podrá enviarle periódicamente ofertas especiales y noticias relacionadas con nuestras más recientes innovaciones. Marque la casilla que se encuentra en el Formulario de la garantía que se incluye en el Manual de Instrucciones de Dyson si usted no desea recibir información comercial o promocional de Dyson.
- Para obtener más información acerca de nuestras prácticas de recopilación de datos, consulte la política de privacidad de Dyson en www.dyson.com/privacy

INFORMACIÓN DE ELIMINACIÓN DE RESIDUOS

- Los productos Dyson están hechos a partir de materiales reciclables de alta calidad. Recíclelo siempre que sea posible.
- Deseche o recicle las baterías de conformidad con las ordenanzas o regulaciones locales.

IMPORTANT! ¡IMPORTANTE!

WASH FILTER LAVE EL FILTRO



Wash filter with cold water at least every month.
Lave el filtro con agua fría al menos cada mes.



DYSON CUSTOMER CARE

If you have a question about your Dyson machine, call the Dyson Helpline with your serial number and details of where and when you bought the machine.

SERVICIO DE ATENCIÓN AL CLIENTE DYSON

Si tiene alguna duda acerca de su máquina Dyson, llame a la línea de ayuda de Dysonal con el número de serie e información de cuándo y dónde compró la máquina.

DYSON CONTACT DETAILS

Website: www.dyson.com

Dyson Helpline: 1-855-533-1098 (Mon-Fri 8am to 8pm CST; Sat 9am to 6pm CST).

Servicio de atención al cliente Dyson: 1-855-533-1098 (lunes a viernes de 8 a.m. – 8 p.m., hora Centro; sábados de 9 a.m. – 6 p.m., hora Centro).

Please take a few moments to answer our questions.
They will help us develop new products for the future.

Veuillez prendre quelques instants pour répondre à nos questions.
Vos réponses nous aideront à mettre au point de nouveaux produits.

1. The appliance you most recently registered on the Dyson website was:
 - Your first Dyson purchase
 - A further Dyson purchase – you have previously owned other Dyson appliances

2. Have you ever recommended Dyson to other people?
 - Yes, at least once
 - Never

3. Do you have any cats or dogs in your home?
 - Yes
 - No

4. The floors in your home are:
 - Mostly carpeted
 - Mostly hard floors

5. Do you have air conditioning in your home?
 - Yes
 - No

6. Would you like to hear about future asthma and allergy related initiatives or product development at Dyson?
 - Yes
 - No

1. Le produit que vous avez dernièrement enregistré sur le site Web de Dyson, s'agit-il :
 - du premier produit Dyson que vous avez acheté
 - d'un autre produit Dyson que vous avez acheté – vous avez possédé récemment d'autres aspirateurs Dyson

2. Avez-vous recommandé des produits Dyson à d'autres personnes?
 - Oui, au moins une fois
 - Jamais

3. Avez-vous des chats ou des chiens dans votre foyer?
 - Oui
 - Non

4. Les planchers dans votre foyer sont :
 - essentiellement des planchers tapissés
 - essentiellement des planchers durs

5. Votre foyer est-il climatisé?
 - Oui
 - Non

6. Désirez-vous obtenir de l'information au sujet des initiatives en matière d'asthme et d'allergies ainsi que du développement de produits chez Dyson?
 - Oui
 - Non



Date of purchase | Date d'achat / /

Place of purchase | Lieu d'achat

Serial number | Numéro de série

Title | Titre

Surname | Nom

First name | Prénom

Address | Adresse

Postal Code | Code postal

email | Courriel

Telephone | Téléphone

<p><input type="checkbox"/></p> <p>From time to time, we'd like to tell you about new Dyson technology and services. If you'd prefer us NOT to keep in touch, please tick this box.</p> <p>De temps à autre, nous voudrions vous informer au sujet des nouvelles technologies et des nouveaux services de Dyson ou obtenir votre opinion sur votre achat. Si vous préférez que l'on ne communique PAS avec vous, veuillez cocher cette case.</p>	<p>You must provide proof of delivery/purchase before any work can be carried out on your appliance. Without this proof, any work carried out will be chargeable.</p> <p>Please keep your receipt or delivery note.</p> <p>Vous devez fournir une preuve d'achat ou de livraison pour toute réparation effectuée sur votre appareil. Sans présentation de cette preuve, toute réparation effectuée vous sera facturée. Veuillez conserver votre reçu ou bon de livraison.</p>
--	--

**3 EASY WAYS TO REGISTER YOUR 2 YEAR WARRANTY.
3 MANERAS FACILES DE REGISTRARSE SUS 2 AÑOS DE GARANTÍA.**

ONLINE
Convenient and instant.
www.dyson.com/register
EN LÍNEA
Conveniente y al instante.
www.dyson.com/register



PHONE
Dyson Helpline:
1-855-533-1098
(Mon-Fri 8am to 8pm CST;
Sat 9am to 6pm CST).
POR TELÉFONO
1-855-533-1098
(lunes a viernes de 8 a.m. – 8 p.m.,
hora Centro; sábados de
9 a.m. – 6 p.m., hora Centro).



MAIL
Complete and return
the form in the envelope
supplied.
POR CORREO
Complete este formulario
y envíelo.