

DESCRIPTION

BLOWER:

- Plug-in, permanently lubricated motor - engineered for continuous operation
- Dynamically balanced centrifugal blower wheel for quiet, efficient performance
- Maintains a high percentage of rated CFM in less than ideal installations
- Low RPM for quiet operation
- Resilient anti-vibration motor mounts

HOUSING:

- Rugged, 26 gauge, galvanized steel construction
- 6" round ducting for superior performance
- Polymeric duct connector with tapered sleeve and no metallic clatter
- 7-5/8" height allows for 2" x 8" (nominal) joist installations
- Sturdy, easy, four-point mounting directly to joist
- Includes unique spacer (patent pending) for mounting to engineered "I" joists
- Can be mounted in ceilings up to 12/12 pitch

GRILLE:

- Polymeric construction
- Innovative design - the result of extensive research with designers and consumers

CONTROLS (Purchase separately):

- Refer to NuTone's catalog for a complete line of accessories to effectively adapt these fans to your construction requirements.

U.L. Listed for use over bathtubs and showers when connected to a GFCI protected branch circuit (ceiling mount only).

3-Year Warranty

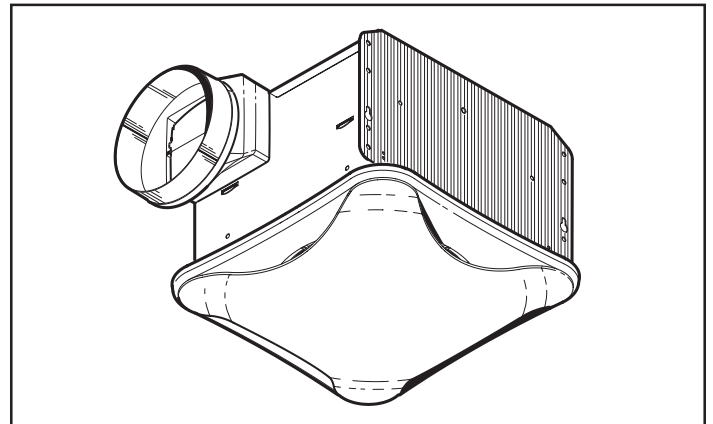


INSTALLATION

Complete installation instructions are included with each Fan.

QTXEN Series Fans

MODELS QTXEN050, QTXEN080, QTXEN110, QTXEN150



ARCHITECT'S SPECIFICATION

- Ceiling Ventilator shall be NuTone Model QTXEN050 (QTXEN080) (QTXEN110) (QTXEN150).
- Ceiling Ventilator shall have corrosion resistant galvanized steel housing with four-point mounting capability. It shall be ducted to a roof or wall cap using 6" round ductwork.
- Blower assembly shall be removable, have a centrifugal-type blower wheel and a permanently lubricated motor designed for continuous operation and mounted with resilient anti-vibration mounts.
- Non-metallic damper/duct connector shall be included.
- Air delivery shall be no less than 50 (80) (110) (150) CFM and sound level no greater than <0.3 (0.4) (1.1) (1.4) Sones. All air and sound ratings shall be certified by AMCA and/or HVI.
- Ceiling ventilator shall be Energy Star® qualified and have an energy efficient permanent split capacitor motor.
- Ceiling Ventilator shall be U.L. Listed for use over bathtubs and showers when connected to a GFCI protected branch circuit.

NuTone, Inc., 4820 Red Bank Road, Cincinnati, OH 45227 (1-800-543-8687)

REFERENCE	QTY.	REMARKS	Project
			Location
			Architect
			Engineer
			Contractor
			Submitted by Date

PERFORMANCE RATINGS

QTXEN SERIES FANS

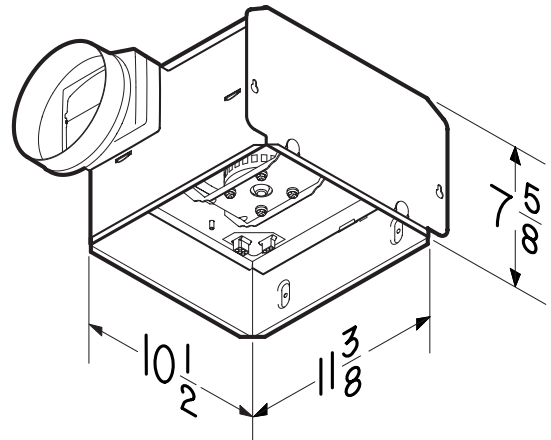
AMCA LICENSED PERFORMANCE

Model	Sones * @ 0.0" Ps	CFM @ Static Pressure Ps (in. w.g.)			Volts	Hz	Watts	RPM	Duct Size
		0.0"	0.1"	0.25"					
QTXEN050	0.4	70	56	42	120	60	27	600	6" Diameter
QTXEN080	0.6	94	82	69	120	60	39	650	6" Diameter
QTXEN110	1.9	130	115	102	120	60	36	700	6" Diameter
QTXEN150	2.3	160	151	134	120	60	53	770	6" Diameter

Performance shown is for installation type B - Free inlet, Ducted outlet. Speed (RPM) shown is nominal. Performance is based on actual speed of test. Performance ratings include the effects of supplied inlet grille and backdraft damper in the airstream. The sound ratings shown are loudness values in fan sones at 5' (1.5m) in a hemispherical free field calculated per AMCA Std. 301. Values shown are for installation Type B: free inlet fan sone levels.



"NuTone certifies that the models shown herein are licensed to bear the AMCA Seal. The ratings shown are based on tests and procedures performed in accordance with AMCA Publication 211 and AMCA Publication 311 and comply with the requirements of the AMCA Certified Ratings Program."

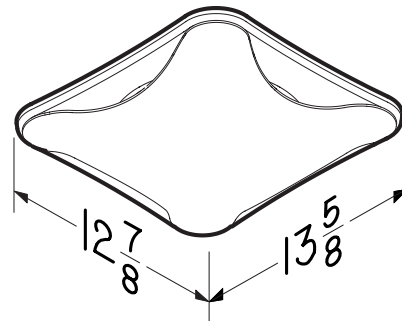


HVI PERFORMANCE

Model	Sones * @ 0.1" Ps	CFM @ 0.1" Ps
QTXEN050	< 0.3	50
QTXEN080	0.4	80
QTXEN110	1.1	110
QTXEN150	1.4	150



HVI-2100 CERTIFIED RATINGS comply with new testing technologies and procedures prescribed by the Home Ventilating Institute, for off-the-shelf products, as they are available to consumers. Product performance is rated at 0.1 in. static pressure, based on tests conducted in AMCA's state-of-the-art test laboratory. Sones are a measure of humanly-perceived loudness, based on laboratory measurements.



AMPS

Model	Amps
QTXEN050	0.3
QTXEN080	0.4
QTXEN110	0.3
QTXEN150	0.5

WEIGHT

Model	Shipping Weight
QTXEN050	12.8 lbs.
QTXEN080	12.8 lbs.
QTXEN110	12.4 lbs.
QTXEN150	12.8 lbs.

* There is a difference between sone values certified by HVI for residential use and by AMCA for commercial/industrial use. Exact comparison of these values is not possible. This difference is mainly due to the procedures used to convert measured sound to perceived sound. ANSI S3.4, used by both HVI and AMCA, specifies a procedure for calculating loudness as perceived by a typical listener under specific conditions. HVI establishes values at a distance of 5 feet from the fan in a "spherical free field"; AMCA establishes values at a distance of 5 feet in a "hemispherical free field".



NuTone, Inc., 4820 Red Bank Road, Cincinnati, OH 45227 (1-800-543-8687)