

## INSTALLATION INSTRUCTIONS FOR RETROFIT AND COMPLETE VALVE INSTALLATION

Code No. 0816721  
Rev. 0a (06/08)



### 8111 Series Complete Flushometer Models

8111 Series Sloan ECOS™ Electronic Dual Flush valves are complete flushometer valves and ideal for new installations.



### RESS Series Retrofit Conversion Kit Models

RESS Sloan ECOS™ Electronic Dual Flush models are used to convert existing Royal and Regal style flushometers to sensor operation.

Sloan ECOS™ Electronic Dual Flush Water Closet Models can be furnished for the following:

1.6 gpf/6.0 Lpf      For Low Consumption Bowls

Made in the U.S.A.

### LIMITED WARRANTY

Sloan Valve Company warrants its Sloan ECOS™ Electronic Dual Flush Flushometers to be made of first class materials, free from defects of material or workmanship under normal use and to perform the service for which they are intended in a thoroughly reliable and efficient manner when properly installed and serviced, for a period of three years (1 year for special finishes) from date of purchase. During this period, Sloan Valve Company will, at its option, repair or replace any part or parts which prove to be thus defective if returned to Sloan Valve Company, at customer's cost, and this shall be the sole remedy available under this warranty. No claims will be allowed for labor, transportation or other incidental costs. This warranty extends only to persons or organizations who purchase Sloan Valve Company's products directly from Sloan Valve Company for purpose of resale. This warranty does not cover the life of the batteries.

**THERE ARE NO WARRANTIES WHICH EXTEND BEYOND THE DESCRIPTION ON THE FACE HEREOF. IN NO EVENT IS SLOAN VALVE COMPANY RESPONSIBLE FOR ANY CONSEQUENTIAL DAMAGES OF ANY MEASURE WHATSOEVER.**

### PRIOR TO INSTALLING THE SLOAN ECOS™ ELECTRONIC DUAL FLUSH FLUSHOMETER

Prior to installing the Sloan ECOS™ Electronic Dual Flush Flushometer, install the items listed below as illustrated in the Rough-in Diagram. (New installations only.)

- Closet fixture
- Drain line
- Water supply line

#### Important:

- ALL PLUMBING SHOULD BE INSTALLED IN ACCORDANCE WITH APPLICABLE CODES AND REGULATIONS.
- WATER SUPPLY LINES MUST BE SIZED TO PROVIDE AN ADEQUATE VOLUME OF WATER FOR EACH FIXTURE.
- WHEN INSTALLING A FLUSHOMETER, IT IS IMPORTANT THAT THE FLUSH MODEL MATCHES THE REQUIREMENTS OF THE PLUMBING FIXTURE.
- FLUSH ALL WATER LINES PRIOR TO MAKING CONNECTIONS.

The Sloan ECOS™ Electronic Dual Flush is designed to operate with 15 to 100 PSI (104 to 689 kPa) of water pressure. THE MINIMUM PRESSURE REQUIRED TO THE VALVE IS DETERMINED BY THE TYPE OF FIXTURE SELECTED. Consult fixture manufacturer for pressure requirements.

Most Low Consumption water closets (1.6 gallon/6 liter) require a minimum flowing pressure of 25 psi (172 kPa).

### TOOLS REQUIRED FOR INSTALLATION

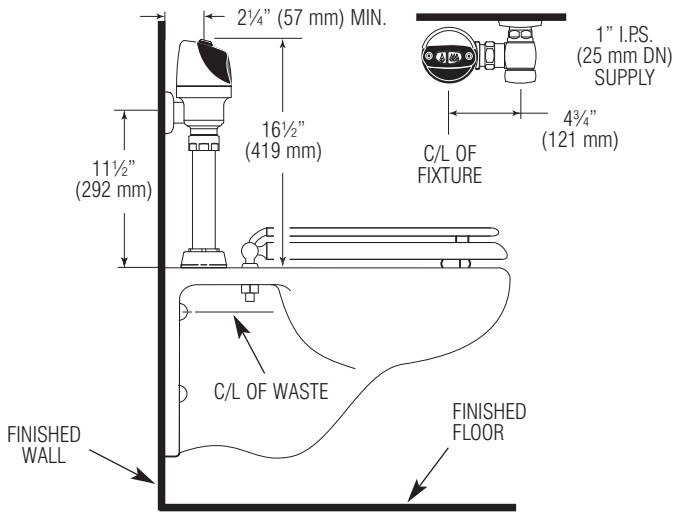
- Slotted screwdriver to adjust control stop.
- Sloan A-50 Super-Wrench™, Sloan A-109 Plier Wrench or smooth jawed spud wrench for couplings.
- Trimpot adjustment screwdriver (supplied) to adjust range, if necessary.
- Strap wrench (supplied) to install Sloan ECOS™ Electronic Dual Flush to valve body.
- 7/64" hex wrench (supplied) to secure Sloan ECOS™ Electronic Dual Flush cover to base plate.

# VALVE ROUGH-IN

## Typical Water Closet Installation

### Model 8111

Reference for RESS-C Retrofit

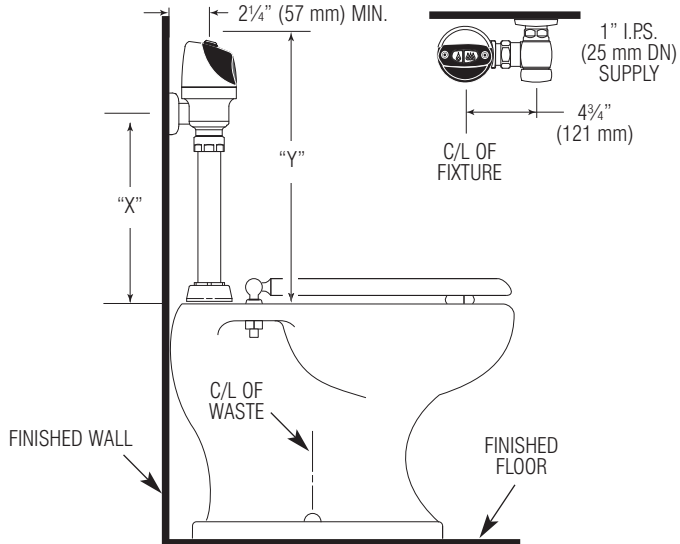


**When installing the Sloan ECOS™ Electronic Dual Flush in a handicap stall:**

Per the ADA Guidelines (section 604.9.4) it is recommended that the grab bars be split or shifted to the wide side of the stall.

## High Rough-in Water Closet Installation

### Models 8113, 8115 & 8116

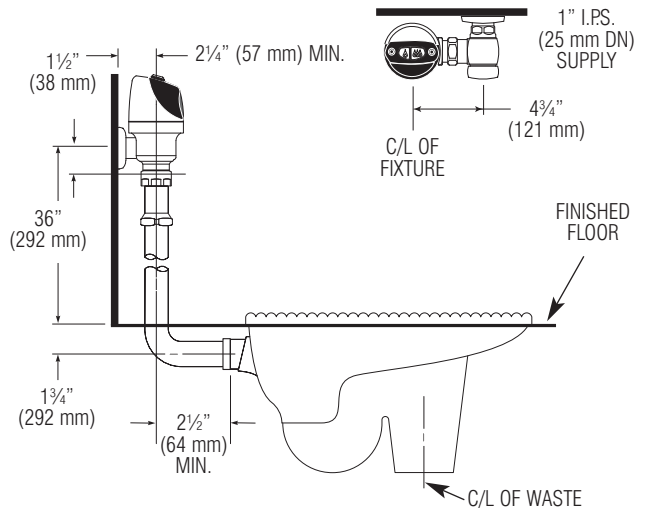


Model	"X"	"Y"
8113	16" (406 mm)	21" (533 mm)
8115	24" (610 mm)	29" (737 mm)
8116	27" (686 mm)	32" (813 mm)

Use the Model 8113 when toilet seat with covers are being used.

## Squat Toilet Water Closet Installation

### Model 8137



Model 8115 & 8116 valves are designed for installations where the water supply is roughed-in 24" - 27" (610 mm - 686 mm) above the top of the water closet.

For new installations, Sloan strongly recommends the use of our Model 8111 which has a shorter installation height.

**!!! IMPORTANT !!!**

With the exception of Control Stop Inlet, DO NOT use pipe sealant or plumbing grease on any valve component or coupling!

**!!! IMPORTANT !!!**

Protect the chrome or special finish of Sloan Flushometers — DO NOT USE toothed tools to install or service these valves. Use a Sloan A-50 Super-Wrench™, Sloan A-109 Plier Wrench or smooth jawed spud wrench to secure all couplings. Also see “Care and Cleaning” section of this manual.

**!!! IMPORTANT !!!**

This product contains mechanical and/or electrical components that are subject to normal wear. These components should be checked on a regular basis and replaced as needed to maintain the valve’s performance.

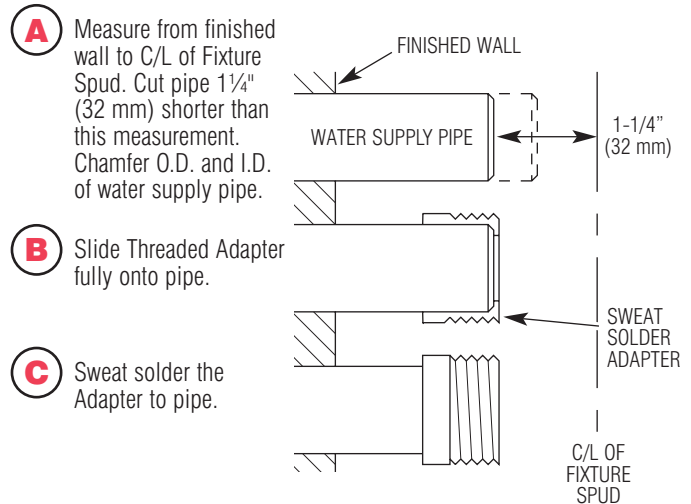
**!!! IMPORTANT !!!**

The Strap Wrench provided with Sloan ECOS™ Electronic Dual Flush is a convenience tool and is not to be used to remove or install the Flushometer Couplings. Use Strap Wrench ONLY to install Sloan ECOS™ Electronic Dual Flush Locking Ring.

If you have questions about how to install your Sloan Flushometer, consult your local Sloan Representative or call Sloan Installation Engineering Department at:

**1-888-SLOAN-14 (1-888-756-2614) OR 1-847-233-2016**

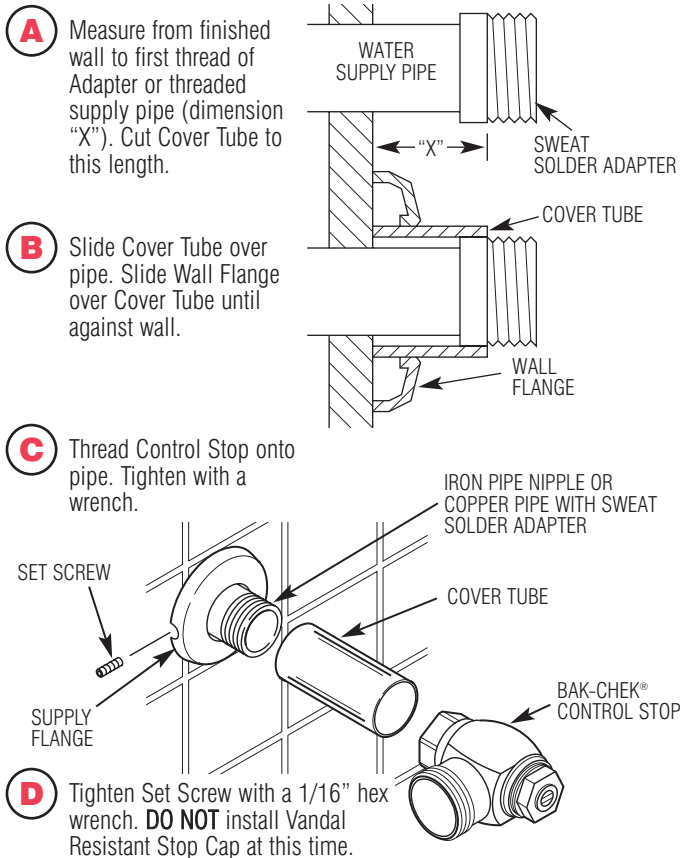
# 1 For Complete Valve Installation, Start here. For RESS Retrofit Installations, Start at Step 6. Install Optional Sweat Solder Adapter (only if your supply pipe does not have a male thread).



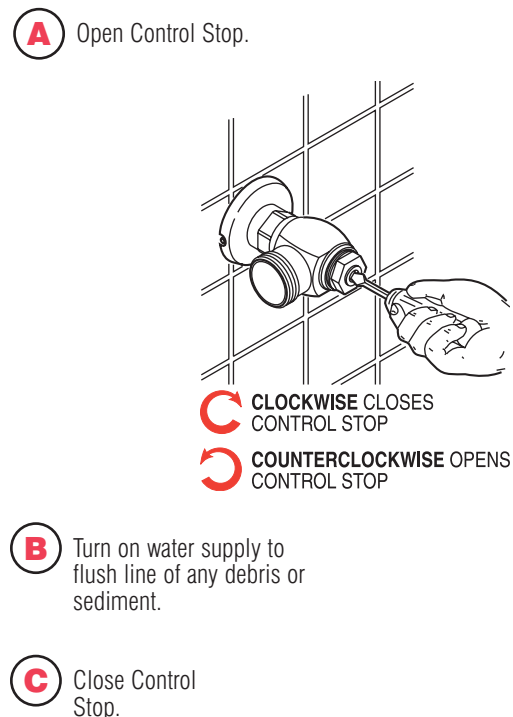
**!!! IMPORTANT !!!**

With the exception of Control Stop Inlet, DO NOT use pipe sealant or plumbing grease on any valve component or coupling!

## 2 Install Cover Tube, Wall Flange and Control Stop to supply pipe



## 3 Flush Out Supply Line

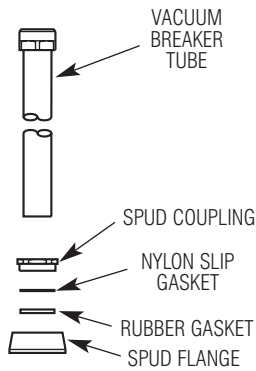


## 4 Install Vacuum Breaker Flush Connection

### NOTE

If cutting Vacuum Breaker Tube to size, note that Critical Line (C/L) on Vacuum Breaker must typically be 6" (152 mm) above fixture. Consult Code for details.

- A** Slide Spud Coupling, Nylon Slip Gasket, Rubber Gasket and Spud Flange over Vacuum Breaker Tube.



- B** Insert Tube into Fixture Spud.  
**C** Hand tighten Spud Coupling onto Fixture Spud.

## 5 Install Flushometer

- A** Lubricate tailpiece O-ring with water. Insert Adjustable Tailpiece into Control Stop. Tighten Tailpiece Coupling by hand.

- B** Align Flushometer directly above the Vacuum Breaker Flush Connection by sliding the Flushometer Body IN or OUT as needed. Tighten Vacuum Breaker Coupling by hand.



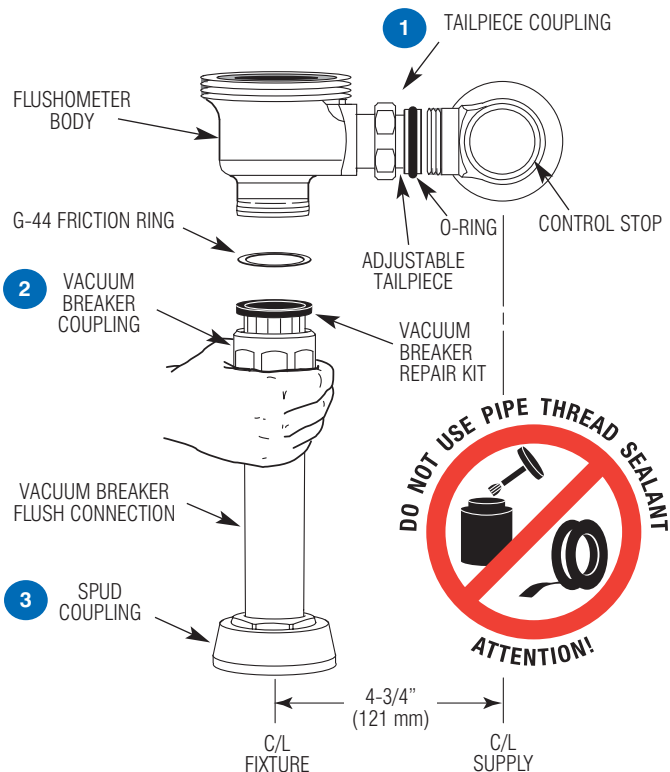
### NOTE

Maximum adjustment of the Sloan Adjustable Tailpiece is 1/2" (13 mm) IN or OUT from the standard 4-3/4" (121 mm) (centerline of Flushometer to centerline of Control Stop).

If roughing-in measurement exceeds 5-1/4" (133 mm), consult factory for longer tailpiece.

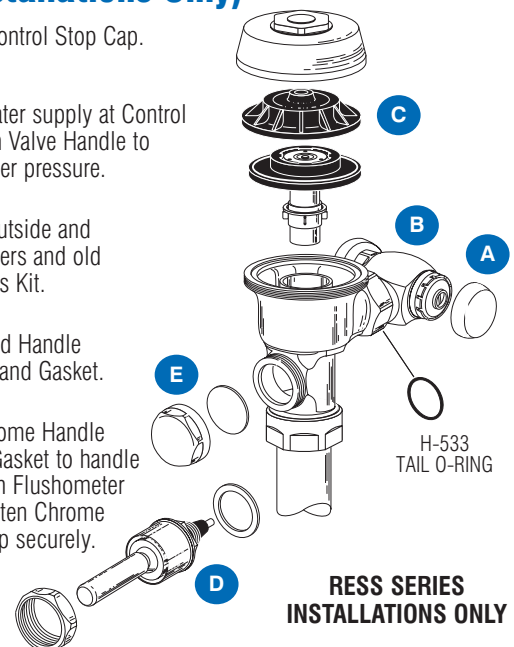
- C** Align Flushometer Body and securely tighten first the Tailpiece Coupling (1), then the Vacuum Breaker Coupling (2), and finally the Spud Coupling (3). Use a wrench to tighten these couplings in the order shown.  
**D** Install Chrome Handle Cap with Gasket to handle opening on Flushometer Body. Tighten Chrome Handle Cap securely.

## 5 Install Flushometer — Continued



## 6 When Retrofitting an Existing Valve, Start Here. Remove Components from Existing Flushometer (RESS Retrofit Installations Only)

- A** Remove Control Stop Cap.  
**B** Turn off water supply at Control Stop. Push Valve Handle to relieve water pressure.  
**C** Remove Outside and Inside Covers and old Inside Parts Kit.  
**D** Remove old Handle Assembly and Gasket.  
**E** Install Chrome Handle Cap with Gasket to handle opening on Flushometer Body. Tighten Chrome Handle Cap securely.



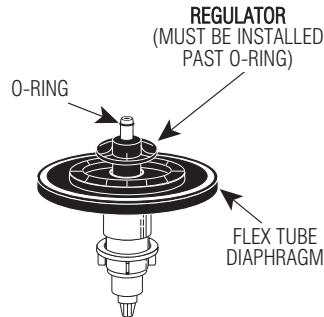
NOTE: An extra H-533 Tail O-ring is included in the event leakage occurs if the valve is repositioned during the installation of the new Sloan ECOS™ Electronic Dual Flush. Use only as needed.

## 7 Sloan ECOS™ Electronic Dual Flush Flush Volume (RESS Retrofit Installations Only)

The Flush Volume of the Sloan ECOS™ Electronic Dual Flush is controlled by the Flex Tube Diaphragm Kit. Regulators are identified by color.

### Reference Chart

Fixture & Flush	Regulator Color
1.6 gpf (6.0 Lpf) Closet	Green

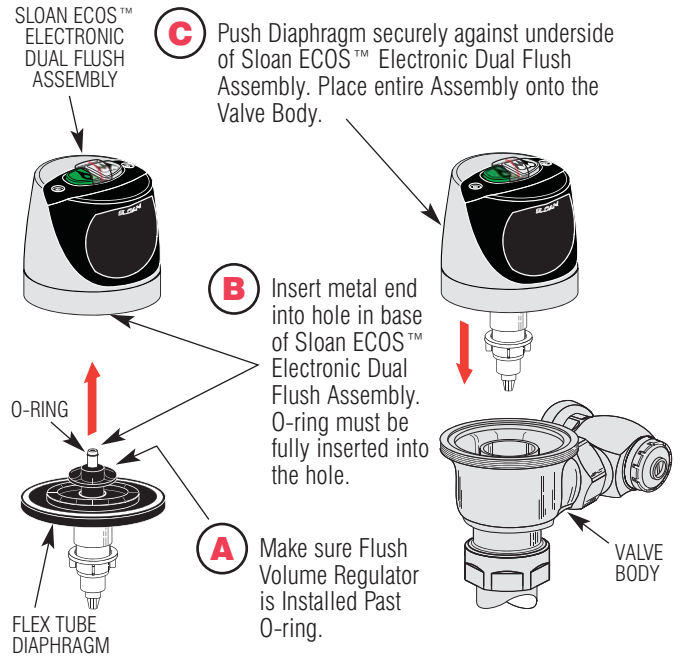


RESS-C Sloan ECOS™ Electronic Dual Flush valves are supplied with its lowest flush volume configuration.

When installing a new Regulator on a Flex Tube Diaphragm Kit, be sure to push the Regulator past the O-ring when installing.

**Note:** Never use more water than needed. Low Consumption water closets will not function properly on excess water.

## 8 Assemble Flex Tube Diaphragm to Sloan ECOS™ Electronic Dual Flush Assembly

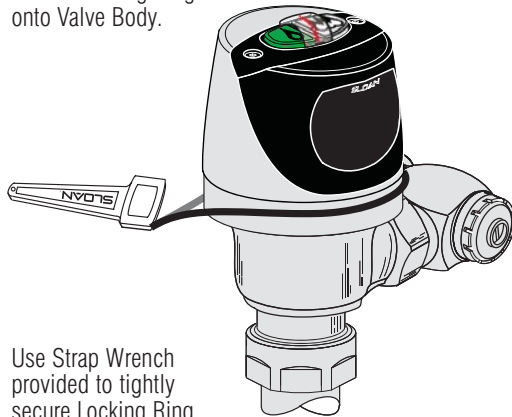


To facilitate installation, the O-ring on the diaphragm assembly must be wet for easier insertion.

**NOTE:** Sensor Lens must face directly forward. Rotating the Sensor to either side will decrease the Sensor's ability to detect a target.

## 9 Tighten Locking Ring

**A** Thread Locking Ring onto Valve Body.



**B** Use Strap Wrench provided to tightly secure Locking Ring

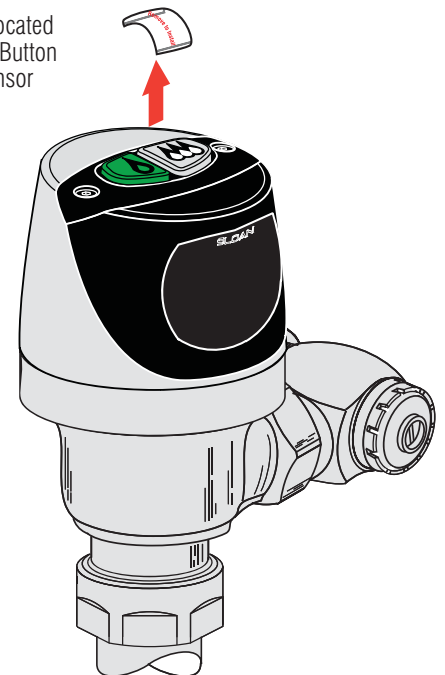
**Important:** The Locking Ring must be installed down past the valve body threads by at least one thread. If difficulty is experienced installing the Locking Ring, turn the Locking Ring back and forth, each time working it further down the threads. The Locking Ring will act as a thread chaser in the event there has been a build-up of matter on the threads of the old valve body.

If retrofitting the Sloan ECOS™ Electronic Dual Flush onto a Zurn valve body, a special Locking Ring must be used (identified by a machined groove around the ring).

Order the Sloan ECOS™ Electronic Dual Flush with the "Z" variation to receive the unit supplied with this Ring.

## 10 Remove Tab to Activate Sensor Module

**A** Remove the Tab located over the Override Button to activate the Sensor Module.

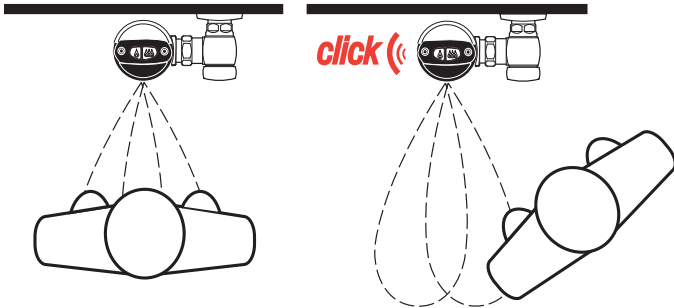


**B** For the first ten (10) minutes of operation, a Visible Light flashes in the Sensing Window of the Sloan ECOS™ Electronic Dual Flush Flushometer when a user is detected.

# 11 Test Sensor Operation

The Sloan ECOS™ Electronic Dual Flush has a factory set sensing range:  
Water Closet Models - 22" to 42" (559 mm to 1067 mm)

- A** Test Sensor with Cover in Place.



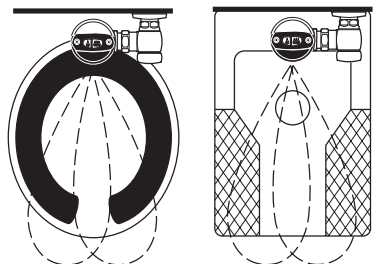
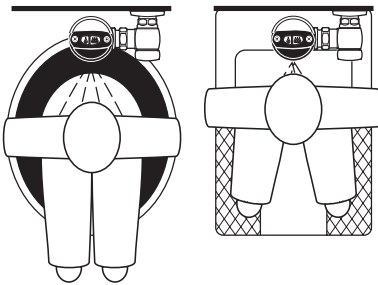
- B** Stand in front of Sensor for ten (10) seconds

- C** Step away from Sensor and listen for "CLICK."

The Factory setting should be satisfactory for most installations. If a range adjustment is required, refer to the Range Adjustment instructions on this page.

## Operation

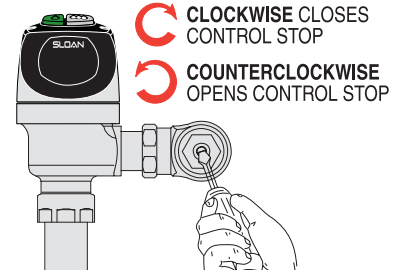
1. A continuous, INVISIBLE light beam is emitted from the Sloan ECOS™ Electronic Dual Flush Sensor.
2. As the user enters the beam's effective range, 22 to 42 inches (559 mm to 1067 mm), the beam is reflected into the Scanner Window to activate the Output Circuit. Once activated, the Output Circuit continues in a "hold" mode for as long as the user remains within the effective range of the sensor. If the user stays longer than 65 seconds, a full flush will automatically initiate when the user leaves.
3. Once a user is detected, if the user leaves in 65 seconds or less, a reduced flush will automatically initiate. The circuit automatically resets and is ready for the next user.



# 12 Adjust Control Stop and Install Vandal Resistant Stop Cap

- A** Open Control Stop COUNTERCLOCKWISE ½ turn from closed position.

- B** Activate Flushometer by placing hand in front of Sloan ECOS™ Electronic Dual Flush Sensor Lens for ten (10) seconds (or press override button) and then moving it away.



- C** Adjust Control Stop after each flush until the rate of flow delivered properly cleanses the fixture.

**Important:** The Sloan Flushometer is engineered for quiet operation. Excessive water flow creates noise, while too little water flow may not satisfy the needs of the fixture. Proper adjustment is made when plumbing fixture is cleansed after each flush without splashing water out from the lip AND a quiet flushing cycle is achieved.

**Important:** The Control Stop should never be opened to the point where the flow from the valve exceeds the flow capability of the fixture. In the event of a valve failure, the fixture must be able to accommodate a continuous flow from the valve.

- D** Install Control Stop Cap onto Control Stop. For RESS retrofit applications, reuse Stop Cap from existing valve. In complete valve installations, a new Stop Cap is provided. Follow the instructions packaged with the Free Spinning Vandal Resistant Stop Cap.

## Range Adjustment (Adjust only if Necessary)

The Sloan ECOS™ Electronic Dual Flush has a factory set sensing range:  
Water Closet Models - 22" to 42" (559 mm to 1067 mm)

The Factory setting should be satisfactory for most installations.

If the range is too short (i.e., not picking up users) or too long (i.e., picking up opposite wall or stall door) the range can be adjusted.

**Note:** Water does not have to be turned off to adjust range.

Refer to Illustration on Next Page.

Loosen the two Screws on top of the unit. Remove the Override Button. Remove the Rubber Plug from top of Electronic Sensor Module to uncover the Potentiometer.

### RANGE ADJUSTMENT PROCEDURE

For the first ten (10) minutes of operation, a Visible Light flashes in the Sensing Window of the Sloan ECOS™ Electronic Dual Flush Flushometer when a user is detected. This Visible Light feature can be reactivated after ten (10) minutes by opening and closing the Battery Compartment Door.

Check the range by stepping toward the unit until the Light flashes, indicating the Sensor's maximum detection limit. Adjust the Range Potentiometer Screw located on top of the Sensor Module a few degrees CLOCKWISE to increase the range or a few degrees COUNTERCLOCKWISE to decrease the range. Repeat this adjustment until the desired range is achieved.

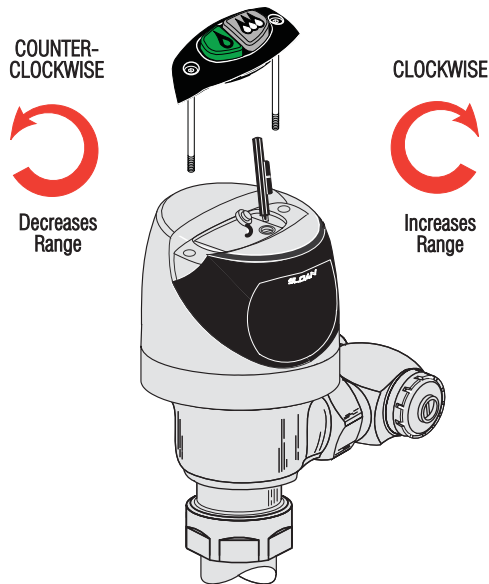
Always Determine the Sensing Range with Metal Cover and Lens Window On Top of the Unit.

(Continued on next page.)

## Range Adjustment (Adjust only if Necessary) — Continued

**Important:** Adjust in small increments only! Range Potentiometer Adjustment Screw rotates only  $\frac{3}{4}$  of a turn; **DO NOT** over-rotate.

When range adjustment is satisfactory, replace the Rubber Plug. Reinstall Override Button and tighten the two Screws on top of the unit.

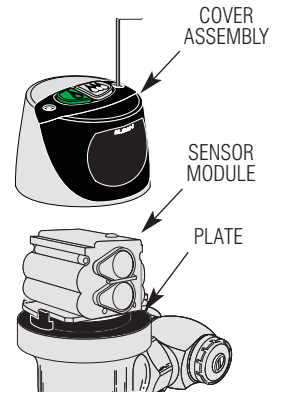


## Battery Replacement

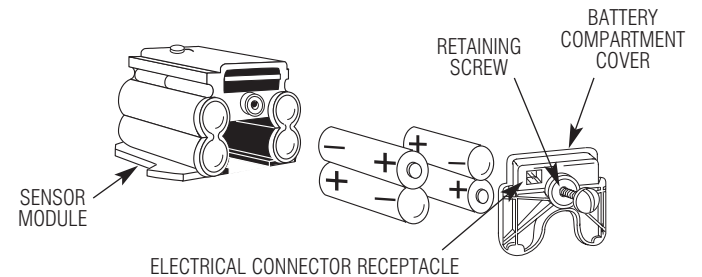
When required, replace batteries with four (4) Alkaline AA-Size Batteries.

**Note:** Water does not have to be turned off to replace Batteries.

Loosen the two (2) Screws on top of unit. Remove the complete Cover Assembly. Lift the Sensor Module from its Plate. Unplug the Electrical Connector from Battery Compartment Cover. Loosen the Retaining Screw on Battery Compartment Cover and remove Battery Compartment Cover. Install four (4) Alkaline AA-Size Batteries **exactly** as illustrated.



Install Battery Compartment Cover and secure with Retaining Screw. Make certain that Battery Compartment Cover is fully compressed against Gasket to provide a seal; **Do Not** overtighten. Plug the Electrical Connector into the Battery Compartment Cover. Reinstall the Sensor Module onto the Plate. Reinstall the complete Cover Assembly onto the Plate. Tighten the two (2) Screws on top of the unit.



## TROUBLESHOOTING GUIDE

### 1. Sensor Flashes Continuously Only When User Steps Within Range.

- A. Unit in Start-Up mode; no problem. This feature is active for the first ten (10) minutes of operation.

### 2. Valve Does Not Flush; Sensor Not Picking Up User.

- A. Range too short; increase the range.

### 3. Valve Does Not Flush; Sensor Picking Up Opposite Wall or Surface, or Only Flushes When Someone Walks By. Light Flashes Continuously for First 10 Minutes Even with No One in Front of the Sensor.

- A. Range too long; shorten range.

### 4. Valve Does Not Flush Even After Adjustment.

- A. Range Adjustment Potentiometer set at full "max" or full "min" setting. Readjust Potentiometer away from full "max" or "min" setting.
- B. Batteries completely used up; replace batteries.
- C. Problem with Electronic Sensor Module; replace Electronic Sensor Module.

### 5. Unit Flashes 4 Quick Times When User Steps Within Range.

- A. Batteries low; replace batteries.

### 6. Valve Does Not Shut Off.

- A. Bypass Orifice in Diaphragm is clogged with dirt or debris, or Bypass is clogged by an invisible gelatinous film due to "over-treated" water. Remove Flex Tube Diaphragm and wash under running water.

**Note:** Size of Orifice in the Bypass is of utmost importance for the proper metering of water by the valve. **DO NOT ENLARGE OR DAMAGE THIS ORIFICE.** Replace Flex Tube Diaphragm if cleaning does not correct the problem.

- B. Dirt or debris fouling Stem or Flex Tube Diaphragm. Remove Flex Tube Diaphragm and wash under running water.
- C. O-ring on Stem of Flex Tube Diaphragm is damaged or worn. Replace O-ring if necessary.
- D. Problem with Electronic Sensor Module; replace Sensor Module.

### 7. Not Enough Water to Fixture.

- A. Wrong Flush Volume Regulator installed in Flex Tube Diaphragm Kit. Install the correct Regulator (see Step 7 of these instructions).
- B. Wrong Sloan ECOS™ Electronic Dual Flush model installed; i.e., 1.6 gpf model installed on 3.5 gal. closet fixture.
- C. Enlarged Bypass in Diaphragm. Replace Flex Tube Diaphragm.
- D. Control Stop not adjusted properly. Readjust Control Stop.
- E. Inadequate volume or pressure at supply. Increase water pressure or supply (flow) to valve. Consult factory for assistance.

### 8. Too Much Water to Fixture.

- A. Wrong Flush Volume Regulator installed in Flex Tube Diaphragm Kit. Install the correct Regulator (see Step 7 of these instructions).
- B. Control Stop not adjusted properly. Readjust Control Stop.
- C. Wrong Sloan ECOS™ Electronic Dual Flush model installed; i.e., 3.5 gpf. model installed on 1.6 gal. fixture. Replace with proper Sloan ECOS™ Electronic Dual Flush model.
- D. Dirt in Diaphragm Bypass. Clean under running water or replace Flex Tube Diaphragm.

**Note:** The EBV-46-A Beam Deflector is no longer required or available for the Sloan ECOS™ Electronic Dual Flush.

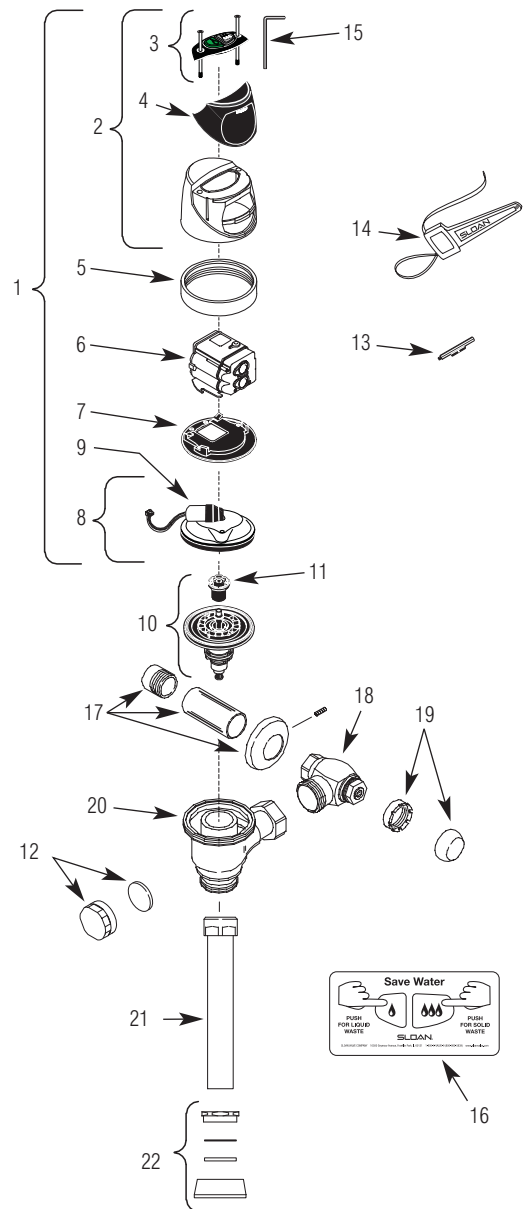
Refer to the Sloan ECOS™ Electronic Dual Flush Flushometer Maintenance Guide for additional Troubleshooting and Repair Part information.

The Sloan ECOS™ Electronic Dual Flush Repair and Maintenance Guide is available at [www.sloanvalve.com](http://www.sloanvalve.com).

If further assistance is required, please contact the Sloan Valve Company Installation Engineering Department at:  
1-888-SLOAN-14 (1-888-756-2614)

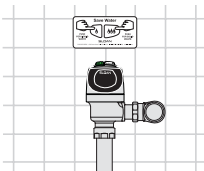
## PARTS LIST

Item #	Part #	Description
<b>Items Included with RESS Retrofit and Complete Sloan ECOS™ Electronic Dual Flush Valves</b>		
1	WES-55-A	Cover/Ring/Sensor Assembly - ECOS Electronic Dual Flush
	WES-60-A	Cover/Ring/Sensor Assembly w/ Zurn ring - ECOS Electronic Dual Flush
2	EBV-191-A	Cover Assembly ECOS Electronic Dual-Flush
3	WES-23-A	Button Cover Assembly with screws - ECOS Electronic Dual Flush
	EBV-132-A	Screws (2) and Hex Wrench Only
4	EBV-131	Lens Window Cover
5	EBV-168	Locking Ring
	EBV-172	Locking Ring - for Zurn valves
6	EBV-196-A	Module - ECOS Electronic Dual Flush
7	EBV-177	Cover Rest Plate
8	EBV-170-A	Inside Cover Assembly (includes solenoid)
9	EBV-136-A	Solenoid
10	See Chart	Flex Tube Diaphragm Assembly
11	See Chart	Flush Volume Regulator
12	EBV-1017-A	Handle Cap (RESS Retrofit Models only)
13	EBV-91	Range Adjustment Tool
14	EBV-22	Strap Wrench
15	EBV-137	7/64" Hex Wrench
16	WES-19	English Operation Instruction Plate
	WES-22	Spanish Operation Instruction Plate
<b>Items Included with Complete Sloan ECOS™ Electronic Dual Flush Valves Only</b>		
17	H-633-AA	1" (25 mm) Sweat Solder Kit
18	H-700-A	1" (25 mm) Bak-Chek® Control Stop
19	H-1010-A	Vandal Resistant Stop Cap
20	EBV-36-A	Valve Body
21	V-600-AA	1½" (38 mm) x 10" (254 mm) Vacuum Breaker (Model 8110)
	V-600-AA	1½" (38 mm) x 23" (584 mm) Vacuum Breaker (Model 8115)
	V-600-AA	1½" (38 mm) x 26" (660 mm) Vacuum Breaker (Model 8116)
22	F-5-AT	1½" Spud Coupling Assembly (Models 8111, 8115 & 8116)



## RECOMMENDED WALL PLATE LOCATIONS

- Centered over Flushometer



- On stall door



## CARE AND CLEANING OF CHROME AND SPECIAL FINISHES

**DO NOT** use abrasive or chemical cleaners to clean Flushometers as they may dull the luster and attack the chrome or special decorative finishes. Use **ONLY** soap and water, then wipe dry with clean cloth or towel.

While cleaning the bathroom tile, the Flushometer should be protected from any splattering of cleaner. Acids and cleaning fluids can discolor or remove chrome plating.

Manufactured in the U.S.A. by Sloan Valve Company under one or more of the following patents: U.S. Patents. 4,839,039; 5,195,720; 5,295,655; 5,542,718; 5,558,120; 5,564,460; 5,887,848; 5,967,182; 6,212,697; 6,382,586; 6,619,614; 6,685,158; 6,691,979; Des. 411,609.

Other Pats. Pending. BAK-CHEK®, CID®, COURTESY FLUSH®, PARA-FLO®, PERMEX®, TURBO-FLO®.

## FLEX TUBE DIAPHRAGM KIT SELECTION GUIDE

Flush Volume and Fixture	Item No. 10 Flex Tube Diaphragm Kit No.	Item No. 11 Flush Volume Regulator Part No.	Regulator Color
1.6 gpf/6.0 Lpf Closet	EBV-1020-A	EBV-95	Green

The EBV-1020-A Kit is supplied with multiple Flush Volume Regulators. The installer must use the correct Regulator when installing the kit.

## FLEX TUBE DIAPHRAGM ASSEMBLY



Dual-Flush Sloan ECOS™ Electronic Dual Flush Valve Models Feature Sloan's Exclusive Flex Tube Diaphragm™ for the ultimate in valve performance, reliability and chloramines resistance.

The information contained in this document is subject to change without notice.

# SLOAN

SLOAN VALVE COMPANY • 10500 Seymour Avenue • Franklin Park, IL 60131  
 Phone: 1-800-9-VALVE-9 or 1-847-671-4300 • Fax: 1-800-447-8329 or 1-847-671-4380  
[www.sloanvalve.com](http://www.sloanvalve.com)