

INSTRUCTIONS: Model:

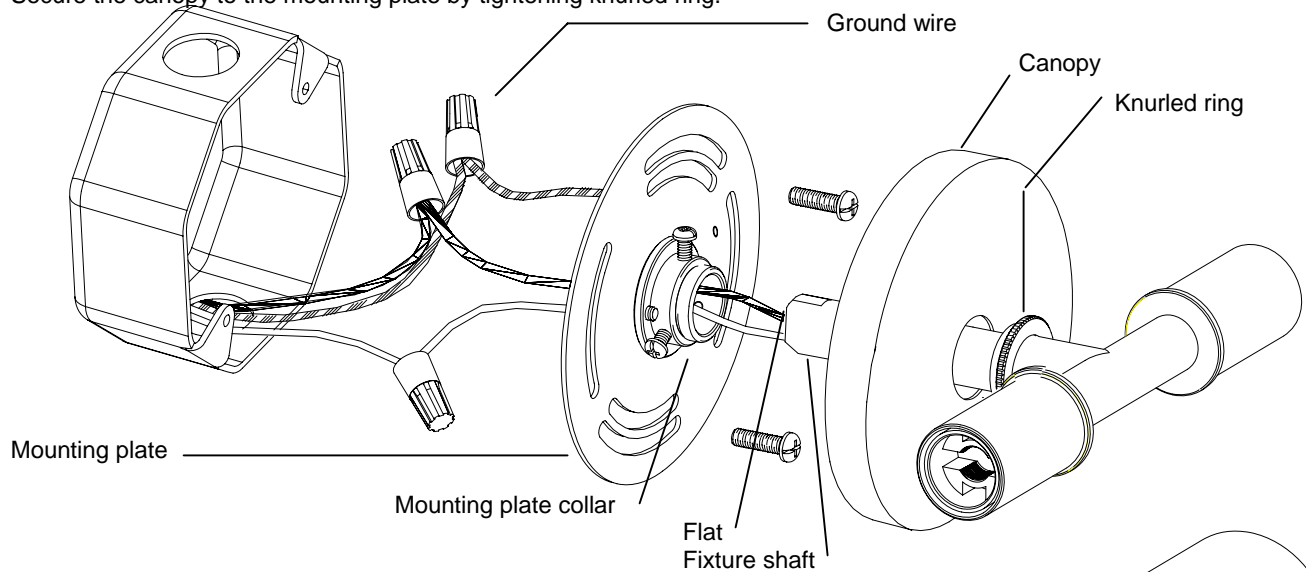
Line Volt Wall Sconce WS-K230

CAUTION:

Always turn off power at main switch prior to installation to prevent electrical shock.
Intended for installation in accordance with National Electrical Code, and local regulations.
For installation by a qualified electrician.
Install over a standard 4-inch junction box.

Fixture Installation:

1. Unscrew the knurled ring and separate the canopy and mounting plate.
2. Route fixture wires through the center hole of the mounting plate.
3. Connect ground wire from junction box to the grounding wire on the mounting plate.
4. Connect corresponding colored wires from the junction box to fixture wires, with wire nuts (supplied).
5. Attach the mounting plate to the junction box using the slotted holes.
6. Insert the fixture shaft, and align (fixture can be mounted horizontally or vertically), and tighten the three screws on the mounting plate collar.
7. Secure the canopy to the mounting plate by tightening knurled ring.



Installing Lamp & Shade:

1. Install lamp first, use a B10 60 watt max lamp with a candelabra base (supplied).
2. Shades have a threaded base plate. Place shade over the lamp socket base and screw clockwise till snug.

Retain instructions for future reference.

