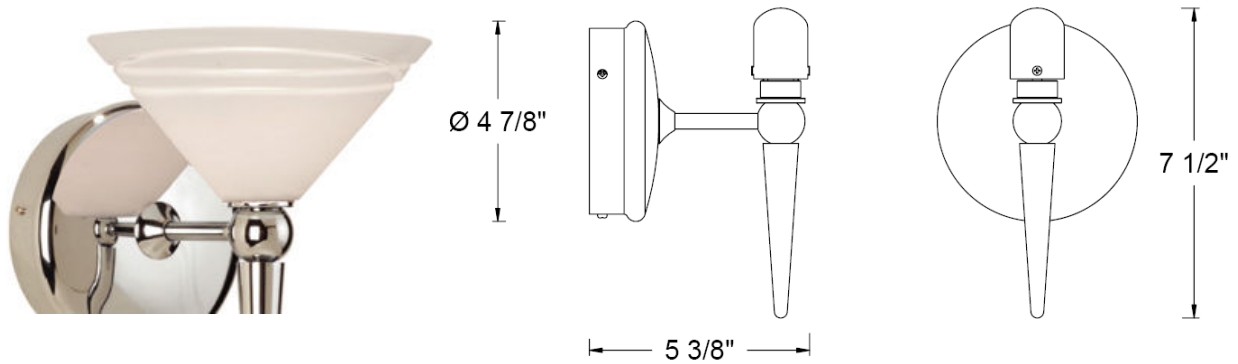


<b>CATALOG NUMBER</b>	<b>TYPE</b>
<b>PROJECT</b>	

**DECORATIVE WALL SCONCE**

**MODEL WS52-G521WT**



**Ordering Matrix**

Model Number	Shade	Sconce Finishes	
<input type="text"/>	<input type="text"/>	<input type="text"/>	<input type="text"/>
WS52	G521WT	BN	CH

Ordering Example (model number-shade/ Sconce finishes): WS52-G521WT/BN

**Product Details**

**Description:** Low voltage wall sconce with round finished metal front fascia. The sconce is made of brass, with a plated Chrome or Brushed Nickel finish and a ceramic bi pin socket with screw-on etched bulb shield. Mounting canopy includes an integral electronic transformer.

**Mounting:** Surface mounted. Installs to a standard 4" junction box.

**Lamping:** 12V 50w halogen bi-pin included.

**Transformer:** Integral Electronic Low Voltage Transformer. 120v/60hz input.

**Sconce Finish:** CH = Chrome  
BN = Brushed Nickel

**Shade:** Ether – G521WT  
Designed with hand-etched swirls like an ice skater's trail on a frozen lake, these blown glass shades are handcrafted by fine artisans in Germany.

**Listing:** UL & CUL Listed.

**Specification Features**

- Dimmable with low voltage electronic dimmers.
- The screw-on bulb shield retains the glass shade and protects the lamp from dust and fingerprints.
- The wall sconce is available in multiple standard glass shade styles and multiple color options
- WAC electronic low voltage transformer includes auto reset, short and overload protection features. Transformer Soft Start delayed start feature extends lamp life by limiting abrupt inrush current to the lamp.
- 5 year WAC Lighting product warranty.

<b>CATALOG NUMBER</b>	<b>TYPE</b>
<b>PROJECT</b>	

**LOW VOLTAGE DECORATIVE WALL SCONCE**

**MODEL WS52-G521WT**

<p><b>G512</b> – □ □</p> <p>Finishes: AM – Amber BL – Blue RD – Red WT – White GR – Green</p> <p>2 5/8" x <math>\varnothing</math> 5 1/4"</p>		<p><b>G515</b> – □ □</p> <p>Finishes: BW – Blue/White MF – Millifiore AM – Amber</p> <p>5 1/2" x <math>\varnothing</math> 4 3/4"</p>	
<p><b>G518</b> – □ □</p> <p>Finishes: DIC – Dichroic</p> <p>2 7/8" x <math>\varnothing</math> 5 1/4"</p>		<p><b>G520</b> – □ □</p> <p>Finishes: OE – Opal Etched</p> <p>2 7/8" x <math>\varnothing</math> 5 1/2"</p>	
<p><b>G521</b> – □ □</p> <p>Finishes: OE – Opal Etched</p> <p>2 5/8" x <math>\varnothing</math> 5 1/2"</p>		<p><b>G524</b> – □ □</p> <p>Finishes: AM – Amber LB – Light Blue TQ – Turquoise WT – White</p> <p>8 1/4 " x <math>\varnothing</math> 6 1/8"</p>	
<p><b>G530</b> – □ □</p> <p>Finishes: GR – Green MC – Multicolor</p> <p>5 3/4" x <math>\varnothing</math> 4 1/8"</p>		<p><b>G540</b> – □ □</p> <p>Finishes: AM – Amber</p> <p>5 3/4" x <math>\varnothing</math> 4 1/8"</p>	
<p><b>G545</b> – □ □</p> <p>Finishes: DIC – Dichroic</p> <p>2 7/8" x <math>\varnothing</math> 4 7/8"</p>		<p><b>G546</b> – □ □</p> <p>Finishes: DIC – Dichroic</p> <p>3 7/8" x <math>\varnothing</math> 4 1/3"</p>	
<p><b>G557</b> – □ □</p> <p>Finishes: WT – White</p> <p>4" x <math>\varnothing</math> 4 3/5"</p>			