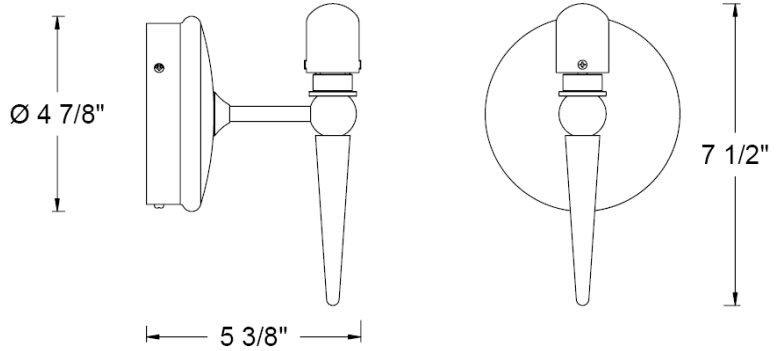


CATALOG NUMBER	TYPE
PROJECT	

DECORATIVE WALL SCONCE

MICHA



Ordering Matrix			
Model Number	Shade	Sconce Finishes	
WS52	G559DIC	BN	CH

Ordering Example (model number-shade/ Sconce finishes): WS52-G559DIC-BN

Product Details	
Description:	Low voltage wall sconce with round finished metal front fascia. The sconce is made of brass, with a plated Chrome or Brushed Nickel finish and a ceramic bi pin socket with screw-on etched bulb shield. Mounting canopy includes an integral electronic transformer.
Mounting:	Surface mounted. Installs to a standard 4" junction box.
Lamping	12V 50w halogen bi-pin included.
Transformer:	Integral Electronic Low Voltage Transformer. 120v/60hz input.
Sconce Finish:	CH = Chrome BN = Brushed Nickel
Shade:	MICHA G559DIC - Dichroic Handcrafted mosaic of dichroic coated crushed glass.
Listing:	UL & CUL Listed.

Specification Features
<ul style="list-style-type: none"> Dimmable with low voltage electronic dimmers. The screw-on bulb shield retains the glass shade and protects the lamp from dust and fingerprints. The wall sconce is available in multiple standard glass shade styles and multiple color options WAC electronic low voltage transformer includes auto reset, short and overload protection features. Transformer Soft Start delayed start feature extends lamp life by limiting abrupt inrush current to the lamp. 5 year WAC Lighting product warranty.