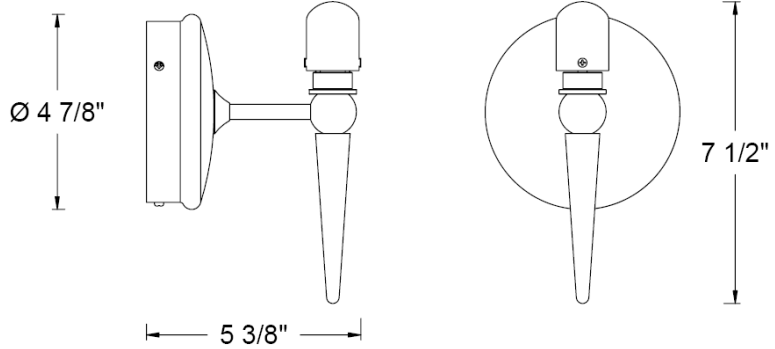


CATALOG NUMBER	TYPE
PROJECT	

DECORATIVE WALL SCONCE

RHEA



Ordering Matrix

Model Number	Shade	Sconce Finishes	
WS52	G599WT	BN	CH

Ordering Example (model number-shade/ Sconce finishes): WS52-G599WT-BN

Product Details

Description: Low voltage wall sconce with round finished metal front fascia. The sconce is made of brass, with a plated Chrome or Brushed Nickel finish and a ceramic bi pin socket with screw-on etched bulb shield. Mounting canopy includes an integral electronic transformer.

Mounting: Surface mounted. Installs to a standard 4" junction box.

Lamping: 12V 50w halogen bi-pin included.

Transformer: Integral Electronic Low Voltage Transformer. 120v/60hz input.

Sconce Finish: CH = Chrome
BN = Brushed Nickel

Shade: RHEA 599WT - White
Hand blown cased glass with a soda dip resulting in a unique air bubble effect, giving the glass a textured look with a smooth, glossy surface.

Listing: UL & CUL Listed.

Specification Features

- Dimmable with low voltage electronic dimmers.
- The screw-on bulb shield retains the glass shade and protects the lamp from dust and fingerprints.
- The wall sconce is available in multiple standard glass shade styles and multiple color options
- WAC electronic low voltage transformer includes auto reset, short and overload protection features. Transformer Soft Start delayed start feature extends lamp life by limiting abrupt inrush current to the lamp.
- 5 year WAC Lighting product warranty.