

INSTRUCTIONS: 6" Horizontal Frame in Kits

Models: R6HF-213Q, R6HF-218Q, R6HF-226Q

Important:
Read all instructions before installing.
For installation by a qualified electrician.
System is intended for installation in accordance with National Electric Code, and local regulations. Consult with local inspector to assure compliance.
To reduce the risk of fire, electrical shock and injuries to persons, turn off power at main switch before installing or modifying the system.
Warning: (Risk of fire) do not install insulation with 3 inches of fixture sides, or junction box, or in a manner to entrap heat.
Retain instructions for future maintenance reference.

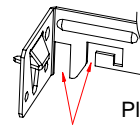
Overview:

Housings from this series are non-insulation contact, new construction type. Housing requires a trim from the R6H series, and lamp to be complete (ordered separately).

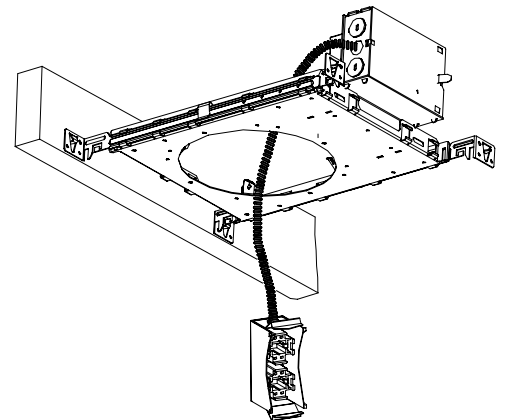
Mounting:

Housings are supplied with two hanger bars, (25" max) which may be used on any of the four sides. Bars are ruled for convenience. Hanger bars are notched on the ends to fit over "T" bars in suspended ceilings. A locking tab may be bent under the lip of the "T" bar or it may be secured with screws.

1. Align the bottom of the hanger bar with the bottom of the wood joist. A pinch clip is supplied to secure bar length. Note: bottom of housing frame should not be more than an inch above the ceiling surface.
2. Use mounting spikes to temporarily hold the housing, then secure with screws or nails.
3. Junction box is suitable for branch wiring and is supplied with trade size knockouts and integral Romex connectors
4. For Romex, pry open the knock out and push the wire through the clamp plate inside.
5. Wire connections must be installed in a manner that does no interfere with the strain relief action of the clamp.



Plain or locking slots for "T" bars

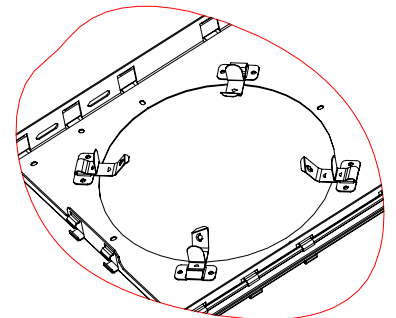


Wiring:

1. Remove spring latched junction box door and connect fixture wires to building wires in the following sequence: White fixture wire to white neutral wire, black fixture wire to (hot) black wire and green ground wire to bare ground wire.
2. Use push-in type wire connectors supplied, or wire nuts.
3. Replace junction box door.

Finishing:

1. Cut out a hole 6 7/8" in the drywall.
2. Housing retaining clips have two positions to accommodate various diameters of trim reflectors: Push outward for hole cutting then set clip position appropriate for the trim.
3. Pull socket cup through hole of the trim reflector.
4. Push the trim up to the finished position.
5. Trims have openings opposite the socket to allow adequate clearance for compact fluorescent lamp insertion and removal.



Detail of two position retaining clips.

