

INSTALLATION INSTRUCTIONS:

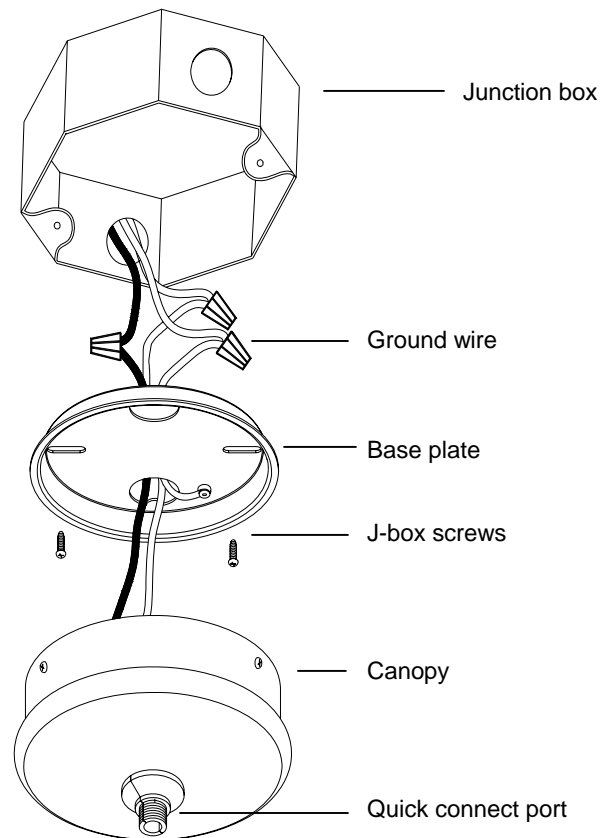
Quick Connect Canopy Kits

Models: QMP-K590 QMP-K591 & QMP-K592

See Cautionary Statements before installing.

Overview: Canopies come with a self-contained electronic transformer. For dimming purposes a low volt electronic dimmer switch is recommended.

1. Loosen the three canopy screws and separate the canopy from the base plate.
2. Remove a knock out from the base plate.
3. Support canopy and guide the black and white wires and from the transformer through the knock out in the base plate and into the Junction box.
4. Connect ground wire from junction box to the green grounding wire from the base plate.
5. Connect corresponding line volt wires from the junction box to transformer wires, with wire nuts (supplied). Tuck excess wire into the junction box.
6. Attach the base plate to the junction box using the slotted holes.
7. Raise the canopy to the base plate, and tighten the three screws loosened earlier.



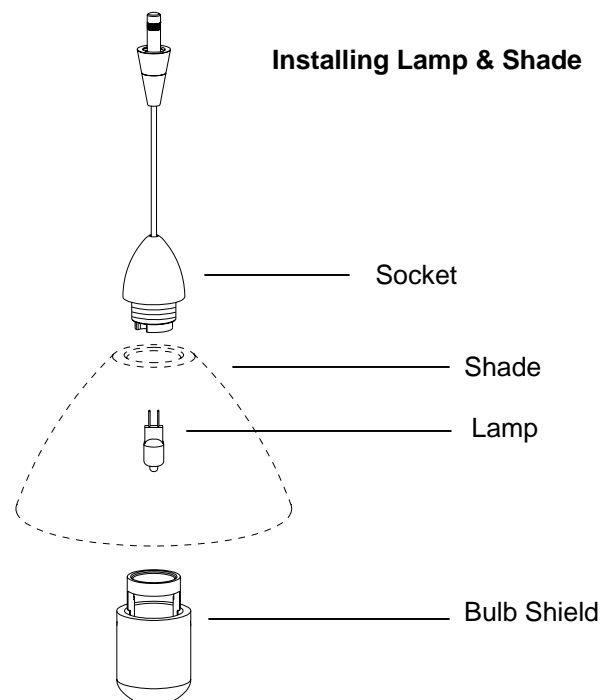
Installing Lamp & Shade:

1. Insert the lamp into the fixture by aligning the pins with the socket holes, and gently pushing until lamp seats.
2. Use 12V 50W bi-pin Halogen lamp with G6.35 base (supplied).
3. Position shade so that threads go through the hole in the shade and screw on Bulb Shield from below.

Note: Hand made shades vary in color intensity.

They are sorted at the factory level for consistency.

Should you ever need a replacement shade a numbered color code sticker identifies the color group. This is a small white sticker on the inner surface of the shade, 1 through 4.



To Install/ Shorten Pendant:

Allow 2" of extra cable for splicing purposes. Make desired cut and remove the male quick connect by loosening the two set-screws and pulling firmly. To install the male quick connect, follow the step-by-step instructions below.

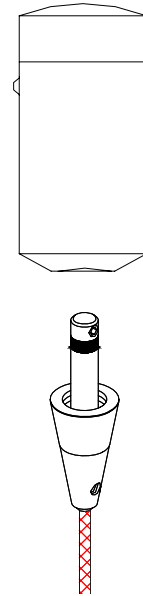
NOTE: Pendant cables are co-axial, if the lower screw in step 4 is made too tight, the inner an outer wire will short. A short circuit will render the entire system in-operative and possibly damage the transformer. Check all pendant splices for continuity before installing.

1

Make a clean cut. Slide collar (supplied) over wire.

2

Trim 1/8" of insulation from the inner wire. Position the collar so that a small section (1/16") of braided wire protrudes from the top of the collar.



3

Feed inner wire until it reaches the top set screw position. Feed braided outer wire and collar into bottom portion.

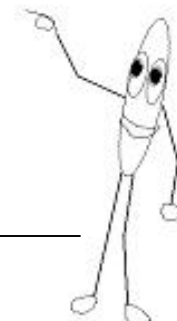
4

Tighten top setscrew first then lower. Smooth out any bulges in braided wire. Perform splice check before mounting.

CAUTION:
Snug but not tight

Check Splice:
Before mounting, with lamp removed from the socket, check your splice connection by inserting into the "QP-TESTER" (supplied). A good splice connection will be indicated by a green light. Red indicates a short, which must be corrected before it can be used.

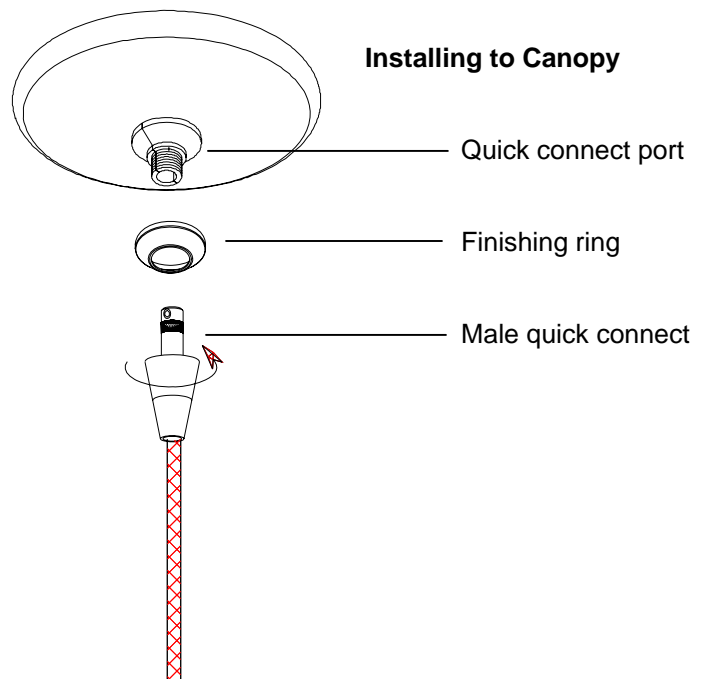
Install with power off.



Installing Pendant to Canopy:

1. Place the finishing ring over the quick connect port.
2. Insert the post of the male quick connect into the quick connect port.
3. Thread the top half of the male quick connect fully into the port.

For additional assistance contact WAC tech support at 800 526-2588 or through the "contact us" link on our website.



CAUTION:

INSTRUCTIONS PERTAINING TO A RISK OF FIRE, OR INJURY

Lighted lamp is HOT!

WARNING- To reduce the risk of FIRE OR INJURY:

Turn off all power and allow to cool before replacing lamp.

Lamp gets HOT quickly! Contact only switch/plug when turning on.

Do not touch lens, guard, or enclosure.

Keep away from materials that may burn.

Do not touch the lamp at any time. Use a soft cloth. Oil from skin may damage lamp.

Do not operate the luminaire with a missing lens or damaged shield.

Read all instructions.

Do not conceal or extend exposed conductors through a building wall.

Do not install this system in wet locations.

For low voltage exposed insulated conductor systems required by 30.1© do not install system (Canopy) less than 7 feet (2.2m) above the floor.

To reduce the risk of fire and burns, do not install this lighting system where the exposed bare conductors can be shorted or contact any conductive materials.

To reduce the risk of fire and overheating, make sure all connections are tight.

Do not install any luminaire closer than 6 inches (15.25 cm) from any curtain, or similar combustible materials.

Turn off electrical power before modifying the lighting system in any way.

SAVE THESE INSTRUCTIONS

