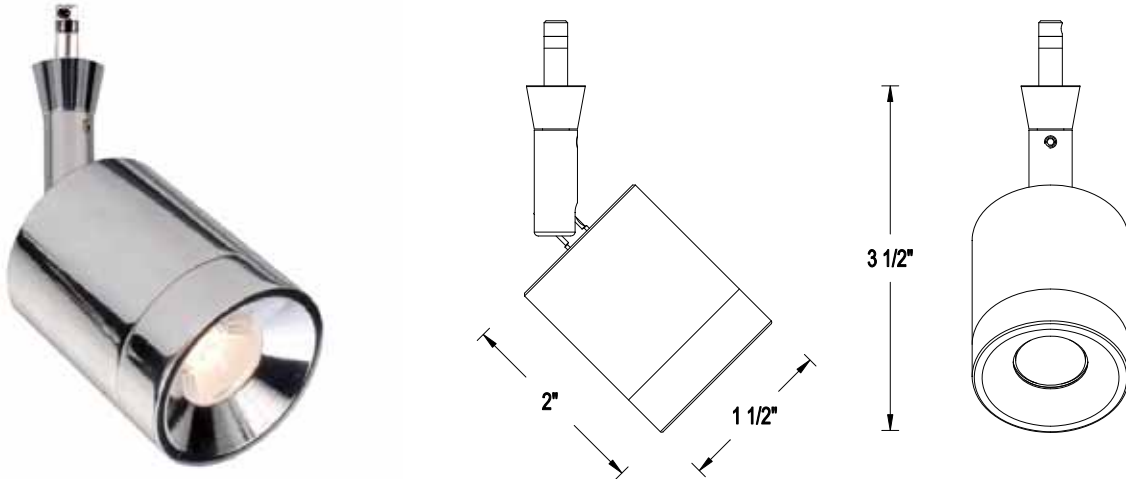


CATALOG NUMBER	TYPE
PROJECT	

Linear QC Fixtures

MODEL QF-LED-102



Ordering Matrix			
Model	LED Color Temp.	Beam	Finish
[]	[]	[]	[]
QF-LED-102	WW = 3000K CW = 4500K	S = 8° F = 25° W = 40°	BN = Brushed Nickel CH = Chrome DB = Dark Bronze WT = White

Ordering Example (model – finish): QF-LED-102-WW-F-CH

Product Details	
Description:	Linear QC Fixtures are thermally efficient to ensure a potential life of 50,000 hours. Multiple options in beam spread angles and color temperatures for different applications. Strong light output with no heat, UV, or IR radiation, perfect for colored or heat sensitive subjects or artifacts.
Materials:	Aluminum fixture, with various beam spread acrylic lenses available.
Driver:	700mA constant current LED driver included.
Lamping:	One 3W LED lamp included CRI : 85 Beam Spread : 8°, 25° or 40° Color Temperature: 3000K 4500K Light output: 110lm 120lm
Finish:	Electroplated - Brushed Nickel, Chrome and Dark Bronze Powder coated - White
Listing:	UL & CUL Listed.

Specification Features
<ul style="list-style-type: none"> • Abrasion Resistant Finish • Compact profile within 2" • LED lamp life up to 50,000 hours • Dimmable with low voltage electronic dimmers • Free of projected heat, IR and UV • 5 year WAC Lighting product warranty