

INSTALLATION INSTRUCTION

Solorail™ - Pendant Kit

LM-K592

WAC LIGHTING

Responsible Lighting®

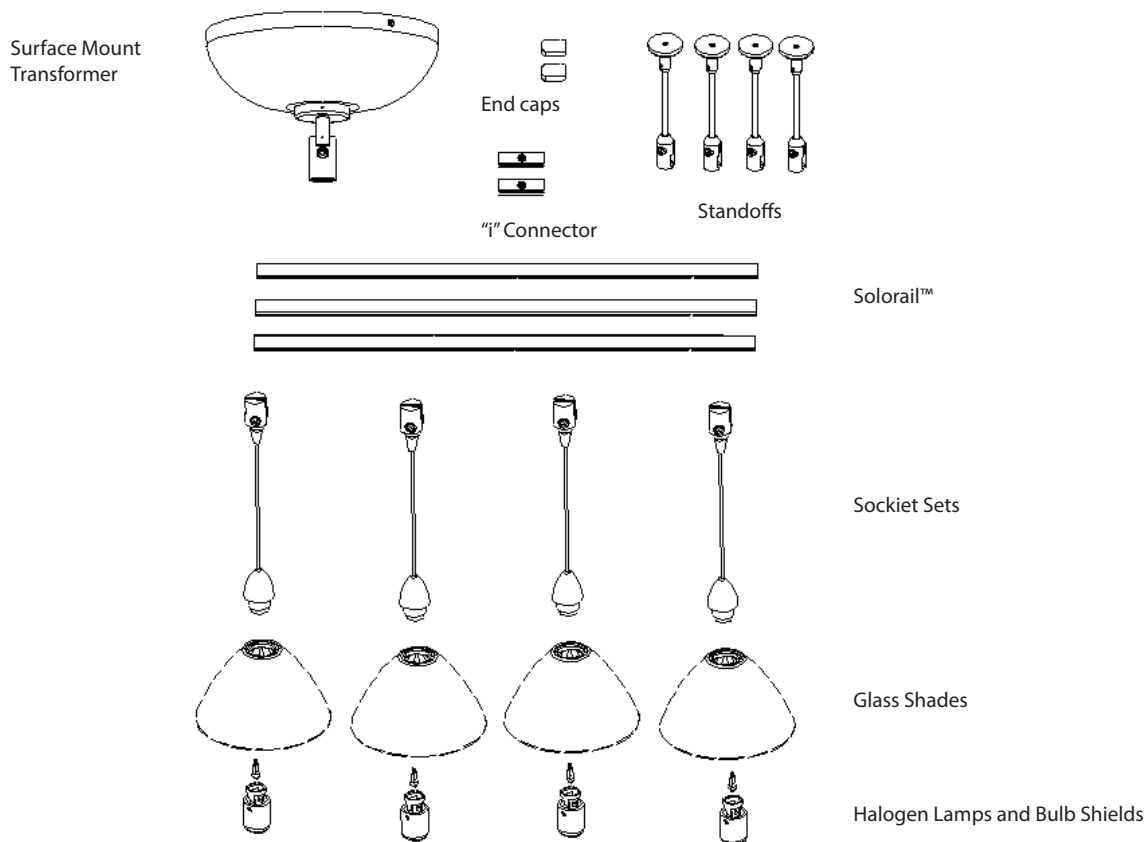
IMPORTANT SAFETY INSTRUCTIONS:

- Read all instructions.
- Do not conceal or extend exposed conductors through a building wall.
- Do not install this system in wet locations.
- For low voltage exposed insulated conductor systems required by 30.1© do not install any part of this system less than 7 feet (2.2m) above the floor.
- To reduce the risk of fire and burns, do not install this lighting system where exposed bare conductors can be shorted or contact any conductive materials.
- To reduce the risk of fire and overheating, make sure all connections are tight.
- Do not install any luminaire closer than 6 inches (15.25cm) from any curtain, or similar combustible materials.
- Turn off electrical power before modifying the lighting system in any way.

INSTRUCTIONS PERTAINING TO RISK OF FIRE, OR INJURY:

- Lighted lamp is HOT!
- **WARNING** - to reduce the risk of FIRE OR INJURY:
- Turn off power and allow to cool before replacing lamp.
- Lamp gets HOT quickly! Contact only switch/plug when turning on.
- Do not touch hot lens/ bulb shield or enclosure.
- Keep away from materials that may burn.
- Do not touch lamp at any time. Use a soft cloth. Oil from skin may damage lamp.
- Do not operate the luminaire with a missing or damaged bulb shield.

PARTS LIST



WAC Lighting
www.waclighting.com
Phone (800) 526.2588 • Fax (800) 526.2585

Headquarters/Eastern Distribution Center
44 Harbor Park Drive • Port Washington, NY 11050
Phone (516) 515.5000 • Fax (516) 515.5050

Western Distribution Center
1750 Archibald Ave • Ontario, CA 91761
Phone (800) 526.2588 • Fax (800) 526.2585

INSTALLATION INSTRUCTION

Solorail™ - Pendant Kit

LM-K592

WAC LIGHTING

Responsible Lighting®

NOTE:

- Kits use electronic transformers. If dimming, an electronic low voltage dimmer is recommended. Not suitable for dimming in a 3-way switch scenario.
- Transformer requires a 100W minimum load.
- Use 12 volt 50 watt lamps or less.

INSTALLATION:

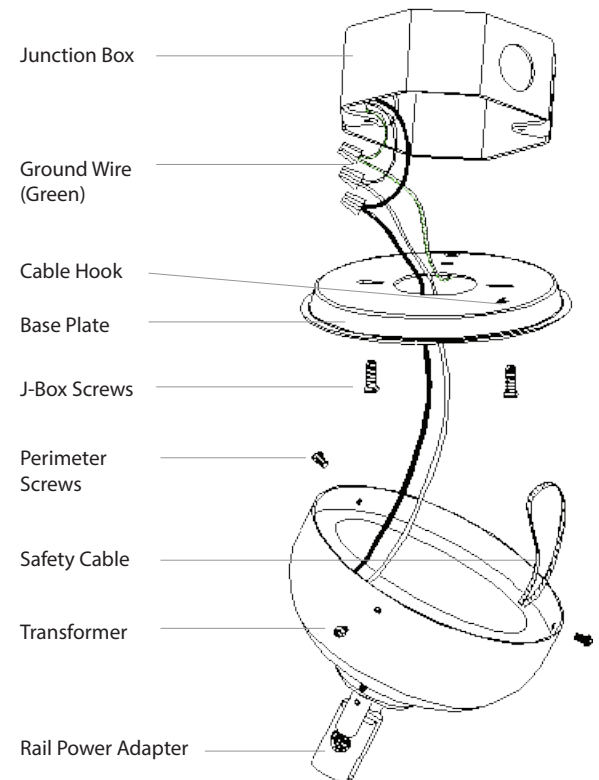
1. The junction box will support the entire weight of the transformer, make sure it is adequately supported.
2. Pass building wires through the center hole of the base plate, and mount base plate to junction box as shown.
3. Hook the safety cable to the hook built into the base plate. This frees the hands for wiring purposes.
4. Connect the transformer wires to like colored building wires (black to black & white to white).
5. Connect the green ground wire from the base plate to the building ground wire (may be green or bare wire).
6. Tuck all connections back into the junction box.
7. Raise the transformer to the base plate and secure with the three screws around the perimeter.

IF ENTIRE SYSTEM DOES NOT LIGHT ON FIRST POWER UP:

1. A short may be present; leaving power on will harm the transformer.
2. Turn off power; remove pendants one at a time to locate the shorted pendant. Switch on system each time to check.
3. Ensure that none of the clear plastic inserts are missing. Transformer requires 100 watts minimum load to lit and stay on (2 pendants with 50 watt lamps).
For additional assistance contact WAC lighting specialist or email: sales@wacighting.com

IF SOME PENDANTS FAIL TO LIGHT:

1. Check the splice connection may not be making contact. Re-check the connection.
2. The lamp may be bad. Use a known good lamp from another pendant to check.
3. The socket may be bad. Contact WAC for replacement.



WAC Lighting
www.wacighting.com
Phone (800) 526.2588 • Fax (800) 526.2585

Headquarters/Eastern Distribution Center
44 Harbor Park Drive • Port Washington, NY 11050
Phone (516) 515.5000 • Fax (516) 515.5050

Western Distribution Center
1750 Archibald Ave • Ontario, CA 91761
Phone (800) 526.2588 • Fax (800) 526.2585

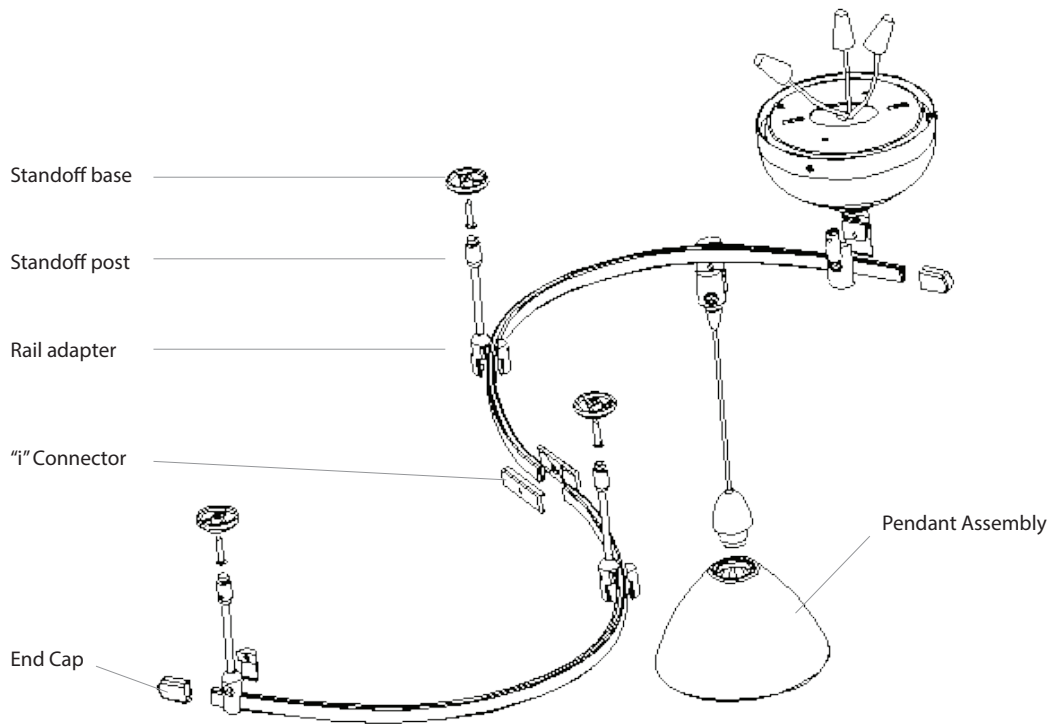
INSTALLATION INSTRUCTION

Solorail™ - Pendant Kit

LM-K592

WAC LIGHTING

Responsible Lighting®



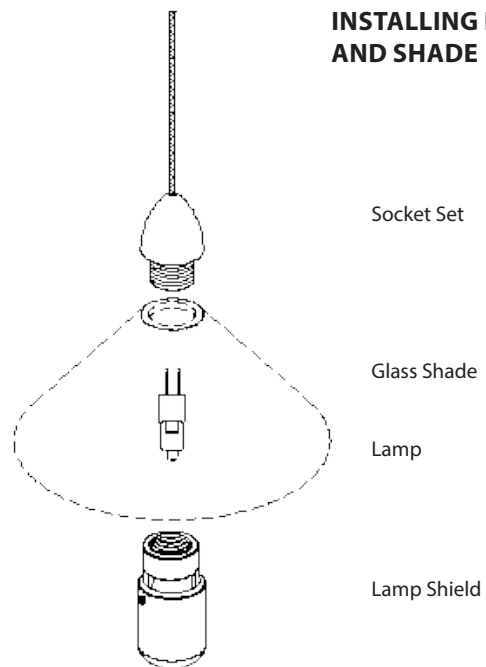
INSTALLATION:

1. Pre bend rail to desired shape at floor level.
2. Use a plumb line to mark the location of ceiling standoffs.
3. Drill holes in the dry wall; insert ceiling anchors, and then standoff bases.
4. Install standoff posts with rail adapters. Twist clock wise to tighten.
5. Loosen the screw in the rail adapter, so that there is sufficient clearance to slip the rail between the two halves.
6. Place individual sections of rail in the rail adapters. Place rail in the power adapter of the transformer.
7. Install "i" connectors between rails then tighten all connectors and adapters.
8. Install pressure fit end caps.

IF ENTIRE SYSTEM DOES NOT LIGHT ON FIRST POWER UP:

1. Insert the lamp into the fixture by aligning the pins with the socket holes, and gently pushing until lamp seats.
2. Use 12V 50W bi-pin Halogen lamp with G6.35 base (supplied).
3. Position shade so that threads go through the hole in the shade and screw on Bulb Shield from below.

INSTALLING LAMP AND SHADE



WAC Lighting
www.waclighting.com
Phone (800) 526.2588 • Fax (800) 526.2585

Headquarters/Eastern Distribution Center
44 Harbor Park Drive • Port Washington, NY 11050
Phone (516) 515.5000 • Fax (516) 515.5050

Western Distribution Center
1750 Archibald Ave • Ontario, CA 91761
Phone (800) 526.2588 • Fax (800) 526.2585

INSTALLATION INSTRUCTION

Solorail™ - Pendant Kit

LM-K592

WAC LIGHTING

Responsible Lighting®

INSTALLING PENDANTS:

1. Loosen the quick connect adapter screw to allow the adapter to slip on over the rail.
2. Tighten the screw and make sure the adapter is tight against the rail.
3. Screw the pendant socket to the quick connect adapter.

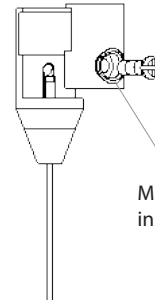
SHORTENING PENDANT SOCKET:

1. Unscrew the socket from the quick connect adapter, and slide the lower threaded fitting out of the way.
2. Loosen the set screw in the collar and remove the wire.
3. Cut the wire to the desired length.
4. Pull back the braided outer portion. Trim 1/8" of insulation from the inner wire, twist, and insert fully into the collar.
5. Tighten the set-screw in the collar, and smooth out the braided wire so the braid touches the bottom of the collar.
6. Use the pendant cord to tie a knot as close as possible to the bottom of the collar.
7. Slide the threaded fitting to the knot and squeeze the knot into the recess.
8. Thread the fitting into the quick connect adapter.

WHEN ALL OPERATIONS ARE COMPLETED:

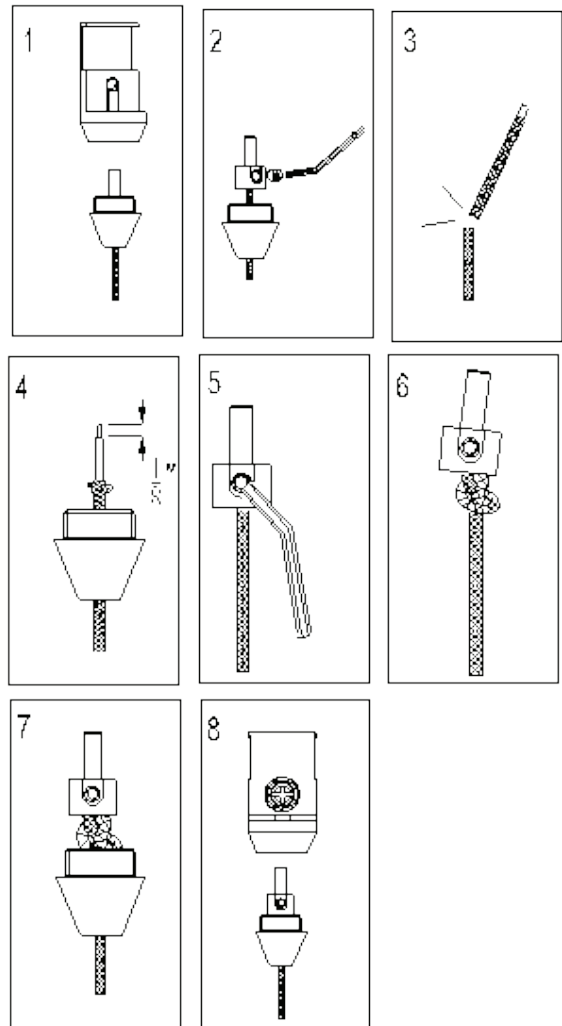
Run system for 20 minutes, turn off, and then check for hot spots at the rail connection points. Never touch the lamps. A hot point indicates a loose electrical connection. Tighten screws to correct.

Quick Connect Adapter



Make sure the clear plastic insert is present

Make sure the clear plastic insert is present



WAC Lighting
www.waclighting.com
Phone (800) 526.2588 • Fax (800) 526.2585

Headquarters/Eastern Distribution Center
44 Harbor Park Drive • Port Washington, NY 11050
Phone (516) 515.5000 • Fax (516) 515.5050

Western Distribution Center
1750 Archibald Ave • Ontario, CA 91761
Phone (800) 526.2588 • Fax (800) 526.2585