

# INSTALLATION INSTRUCTION

## 3W Class 2 LEDme® Button Light Driver

LED-350MA03-RB

# WAC LIGHTING

Responsible Lighting®

### CAUTION – TO REDUCE RISK OF FIRE AND ELECTRICAL SHOCK

- Always turn off power at main switch prior to installation.
- System intended for installation by a qualified electrician, in accordance with NEC and local regulations.
- Consult with local inspector to assure compliance.
- For use with LED button lights only.

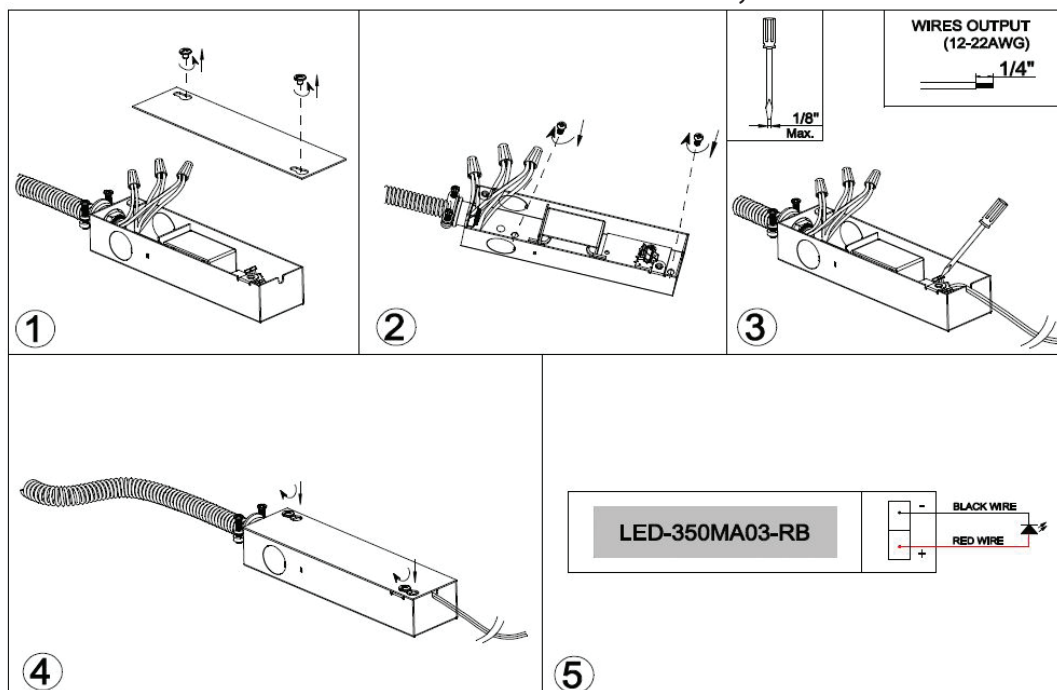
Model	LED-350MA03-RB
Input Voltage	120Vac,50/60Hz
Input Current	Max 0.2A
Output Current	350Ma
Each Port Output Voltage	2-12V DC
Each Port Load	3x1W LED Light
Each Port Load Lead Wires	12-22AWG
Output Port	1

### FEATURES:

1. 350mA Constant Current for LED's optimized and stable performance.
2. Powers one LED Button lights
3. Special circuit design to protect LED from high voltage pulse.
4. Driver will automatically shut off if the fixtures are not properly wired. In this event, unplug and check the wiring and then plug it in again.

### INSTALLATION:

1. Remove both covers.
2. Input wiring - use only one knock out holes. Connect building wires to like color transformer wires with wire nuts.
3. Building ground wire may be green or un-insulated, and attaches to green wire from transformer box.
4. Output wiring - Push down one set of the wiring terminals and insert fixture's red wire into the "+" terminal and the black wire into the "-" terminal.
5. Secure the covers by tightening the two screws.
6. The product should be installed on the either internal or external surface of any indoor construction.



WAC Lighting  
www.waclighting.com  
Phone (800) 526.2588 • Fax (800) 526.2585

Headquarters/Eastern Distribution Center  
44 Harbor Park Drive • Port Washington, NY 11050  
Phone (516) 515.5000 • Fax (516) 515.5050

Western Distribution Center  
1750 Archibald Ave • Ontario, CA 91761  
Phone (800) 526.2588 • Fax (800) 526.2585

# INSTALLATION INSTRUCTION

## 9W Class 2 LEDme® Button Light Driver

LED-350MA09-RB

# WAC LIGHTING

Responsible Lighting®

### CAUTION – TO REDUCE RISK OF FIRE AND ELECTRICAL SHOCK

- Always turn off power at main switch prior to installation.
- System intended for installation by a qualified electrician, in accordance with NEC and local regulations.
- Consult with local inspector to assure compliance.
- For use with LED button lights only.

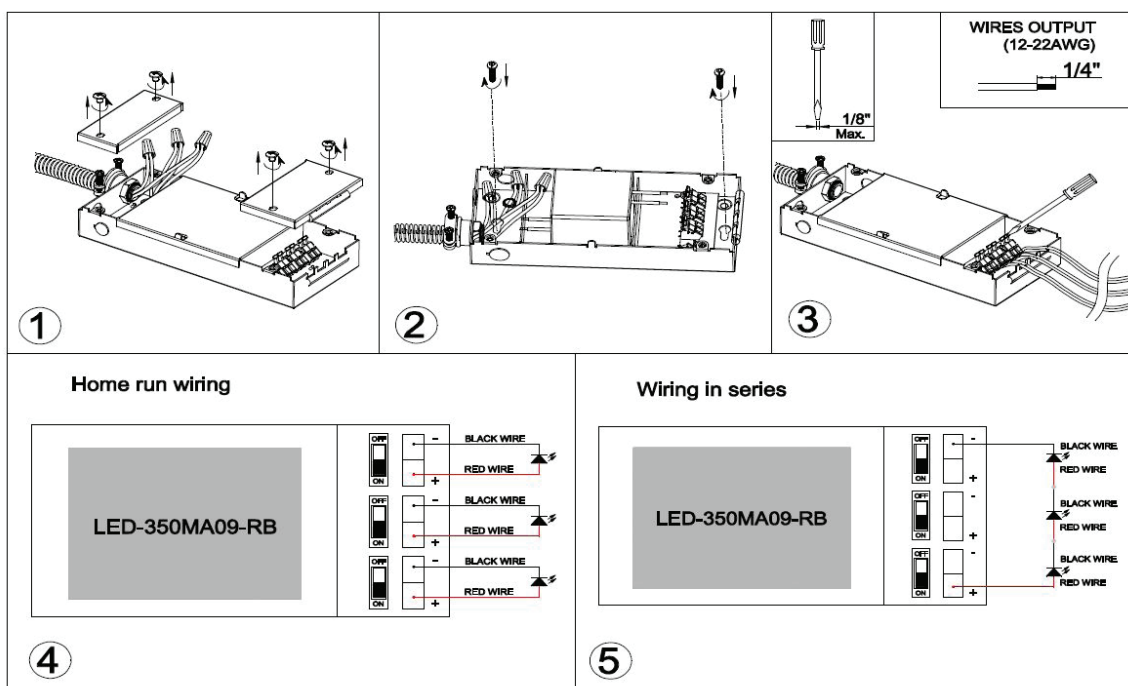
Model	LED-350MA09-RB
Input Voltage	120Vac,50/60Hz
Input Current	Max 0.2A
Output Current	350Ma
Each Port Output Voltage	2-12V DC
Each Port Load	3x1W LED Light or 1-3 PCS LED
Each Port Load Lead Wires	12-22AWG
Output Port	3

### FEATURES:

1. 350mA Constant Current for LED's optimized and stable performance.
2. Powers up to 3 LED Button lights
3. Special circuit design to protect LED from high voltage pulse.
4. Driver will automatically shut off if the fixtures are not properly wired. In this event, unplug and check the wiring and then plug it in again.

### INSTALLATION:

1. Remove both covers.
2. Input wiring - use only one knock out holes. Connect building wires to like color transformer wires with wire nuts.
3. Building ground wire may be green or un-insulated, and attaches to green wire from transformer box.
4. Output wiring - Push down one set of the wiring terminals and insert fixture's red wire into the "+" terminal and the black wire into the "-" terminal.
5. Secure the covers by tightening the two screws.
6. The product should be installed on the either internal or external surface of any indoor construction.



WAC Lighting  
www.waclighting.com  
Phone (800) 526.2588 • Fax (800) 526.2585

Headquarters/Eastern Distribution Center  
44 Harbor Park Drive • Port Washington, NY 11050  
Phone (516) 515.5000 • Fax (516) 515.5050

Western Distribution Center  
1750 Archibald Ave • Ontario, CA 91761  
Phone (800) 526.2588 • Fax (800) 526.2585

# INSTALLATION INSTRUCTION

## 12W Class 2 LEDme® Button Light Driver

LED-350MA12-RB

# WAC LIGHTING

Responsible Lighting®

### CAUTION – TO REDUCE RISK OF FIRE AND ELECTRICAL SHOCK

- Always turn off power at main switch prior to installation.
- System intended for installation by a qualified electrician, in accordance with NEC and local regulations.
- Consult with local inspector to assure compliance.
- For use with LED button lights only.

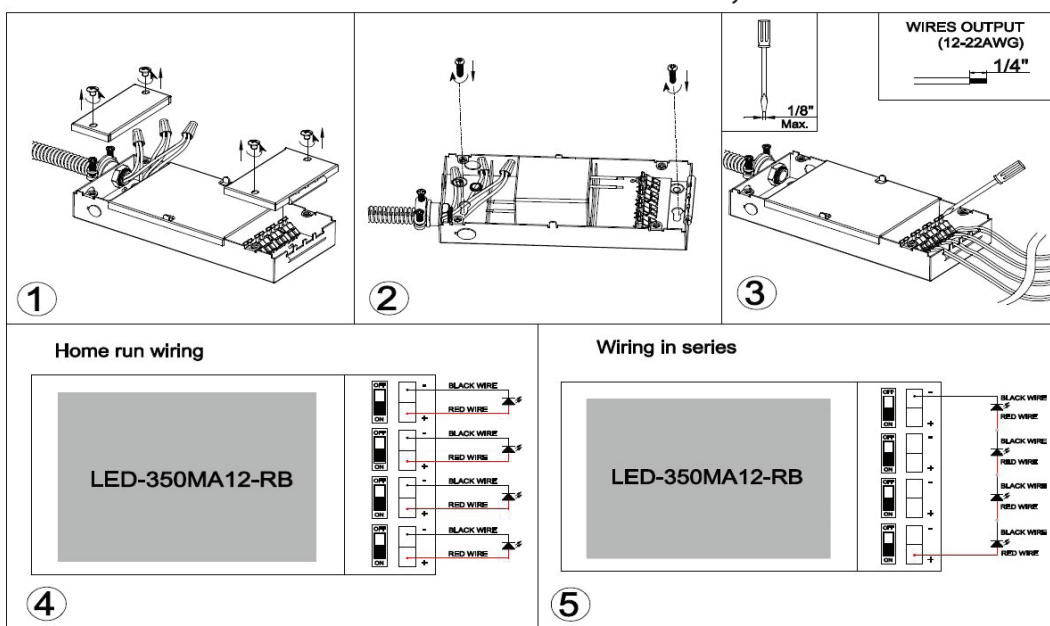
Model	LED-350MA12-RB
Input Voltage	120Vac,50/60Hz
Input Current	Max 0.2A
Output Current	350Ma
Each Port Output Voltage	2-12V DC
Each Port Load	3x1W LED Light or 1-4 PCS LED
Each Port Load Lead Wires	12-22AWG
Output Port	4

### FEATURES:

1. 350mA Constant Current for LED's optimized and stable performance.
2. Powers up to 4 LED Button lights
3. Special circuit design to protect LED from high voltage pulse.
4. Driver will automatically shut off if the fixtures are not properly wired. In this event, unplug and check the wiring and then plug it in again.

### INSTALLATION:

1. Remove both covers.
2. Input wiring - use only one knock out holes. Connect building wires to like color transformer wires with wire nuts.
3. Building ground wire may be green or un-insulated, and attaches to green wire from transformer box.
4. Output wiring - Push down one set of the wiring terminals and insert fixture's red wire into the "+" terminal and the black wire into the "-" terminal.
5. After connecting all the LED fixtures, switch (S1-S4) should be at "ON" position for all terminals connected to a Button light. Terminals not connected to a button light should be at "OFF" position.
6. Secure the covers by tightening the two screws.
7. The product should be installed on the either internal or external surface of any indoor construction.



WAC Lighting

www.waclighting.com

Phone (800) 526.2588 • Fax (800) 526.2585

Headquarters/Eastern Distribution Center

44 Harbor Park Drive • Port Washington, NY 11050

Phone (516) 515.5000 • Fax (516) 515.5050

Western Distribution Center

1750 Archibald Ave • Ontario, CA 91761

Phone (800) 526.2588 • Fax (800) 526.2585

# INSTALLATION INSTRUCTION

## 9W Dimmable Class 2 LEDme® Button Light Driver

LED-350MA09-DIM-RB

# WAC LIGHTING

Responsible Lighting®

### CAUTION – TO REDUCE RISK OF FIRE AND ELECTRICAL SHOCK

- Always turn off power at main switch prior to installation.
- System intended for installation by a qualified electrician, in accordance with NEC and local regulations.
- Consult with local inspector to assure compliance.
- For use with LED button lights only.

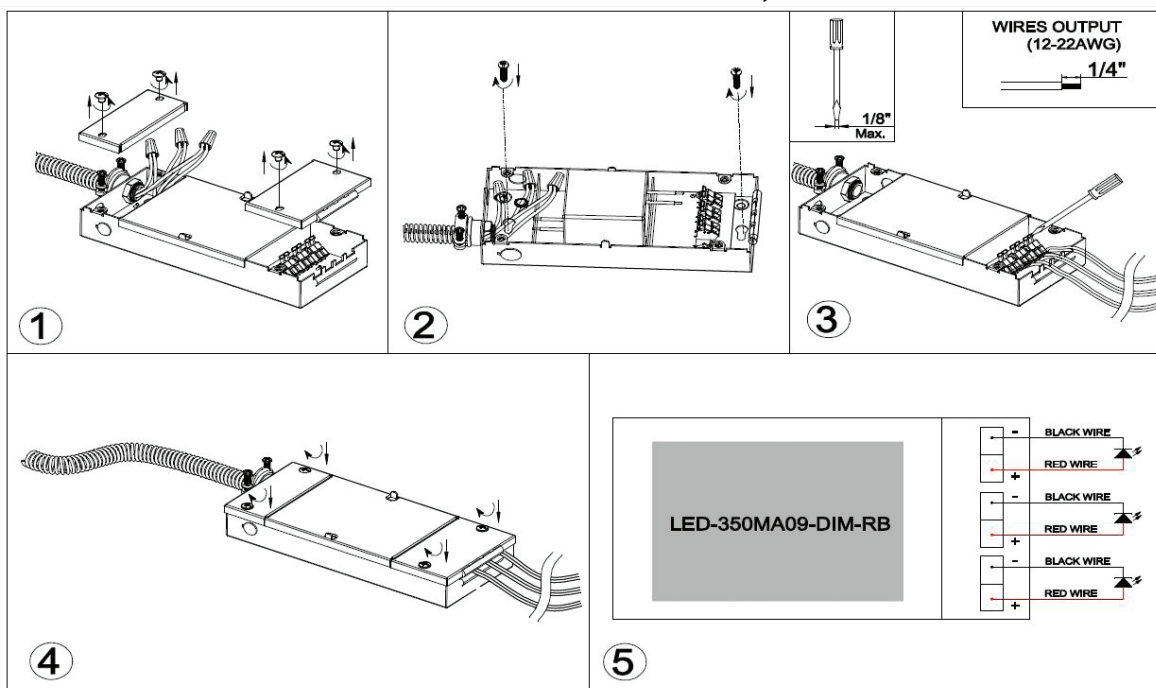
Model	LED-350MA09-DIM-RB
Input Voltage	120Vac,50/60Hz
Input Current	Max 0.15A
Output Current	350mA
Each Port Output Voltage	2-12V DC
Each Port Load	3x1W LED Light or 1-3PCS LED
Each Port Load Lead Wires	12-22AWG
Output Port	3

### FEATURES:

1. 350mA Constant Current for LED's optimized and stable performance.
2. Powers up to 3 LED Button lights
3. Special circuit design to protect LED from high voltage pulse.
4. Driver will automatically shut off if the fixtures are not properly wired. In this event, unplug and check the wiring and then plug it in again.

### INSTALLATION:

1. Remove both covers.
2. Input wiring - use only one knock out holes. Connect building wires to like color transformer wires with wire nuts.
3. Building ground wire may be green or un-insulated, and attaches to green wire from transformer box.
4. Output wiring - Push down one set of the wiring terminals and insert fixture's red wire into the "+" terminal and the black wire into the "-" terminal.
5. Secure the covers by tightening the two screws.
6. The product should be installed on the either internal or external surface of any indoor construction.



WAC Lighting  
www.waclighting.com  
Phone (800) 526.2588 • Fax (800) 526.2585

Headquarters/Eastern Distribution Center  
44 Harbor Park Drive • Port Washington, NY 11050  
Phone (516) 515.5000 • Fax (516) 515.5050

Western Distribution Center  
1750 Archibald Ave • Ontario, CA 91761  
Phone (800) 526.2588 • Fax (800) 526.2585

# INSTALLATION INSTRUCTION

## 12W Dimmable Class 2 LEDme® Button Light Driver

LED-350MA12-DIM-RB

# WAC LIGHTING

Responsible Lighting®

### CAUTION – TO REDUCE RISK OF FIRE AND ELECTRICAL SHOCK

- Always turn off power at main switch prior to installation.
- System intended for installation by a qualified electrician, in accordance with NEC and local regulations.
- Consult with local inspector to assure compliance.
- For use with LED button lights only.

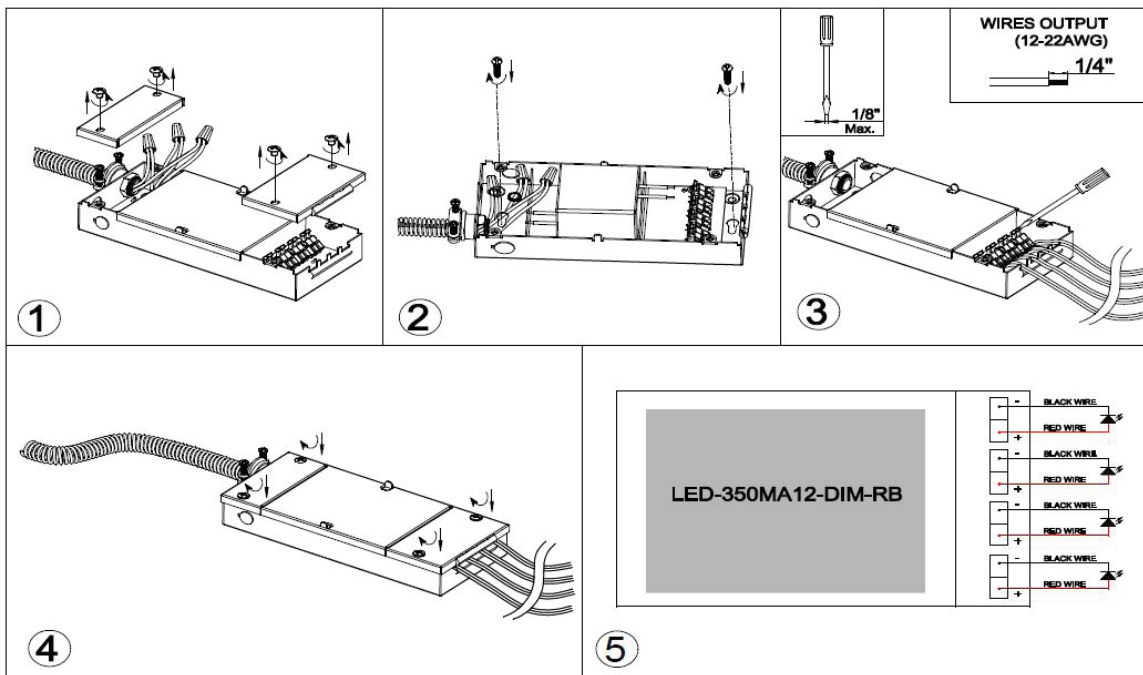
Model	LED-350MA12-DIM-RB
Input Voltage	120Vac,50/60Hz
Input Current	Max 0.2A
Output Current	350mA
Each Port Output Voltage	2-12V DC
Each Port Load	3x1W LED Light or 1-4 PCS LED
Each Port Load Lead Wires	12-22AWG
Output Port	4

### FEATURES:

1. 350mA Constant Current for LED's optimized and stable performance.
2. Powers up to 4 LED Button lights
3. Special circuit design to protect LED from high voltage pulse.
4. Driver will automatically shut off if the fixtures are not properly wired. In this event, unplug and check the wiring and then plug it in again.

### INSTALLATION:

5. Remove both covers.
6. Input wiring - use only one knock out holes. Connect building wires to like color transformer wires with wire nuts.
7. Building ground wire may be green or un-insulated, and attaches to green wire from transformer box.
8. Output wiring - Push down one set of the wiring terminals and insert fixture's red wire into the "+" terminal and the black wire into the "-" terminal.
9. Secure the covers by tightening the two screws.
10. The product should be installed on the either internal or external surface of any indoor construction.



WAC Lighting  
www.waclighting.com  
Phone (800) 526.2588 • Fax (800) 526.2585

Headquarters/Eastern Distribution Center  
44 Harbor Park Drive • Port Washington, NY 11050  
Phone (516) 515.5000 • Fax (516) 515.5050

Western Distribution Center  
1750 Archibald Ave • Ontario, CA 91761  
Phone (800) 526.2588 • Fax (800) 526.2585