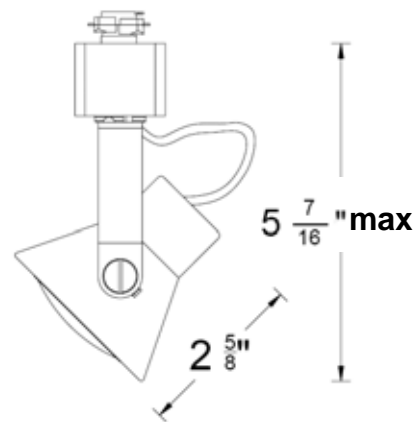


CATALOG NUMBER	TYPE
PROJECT	

LINE VOLTAGE TRACK HEAD

SERIES



Ordering Matrix

Model			Series	Finish	
[]			[]	[]	
HTK	LTK	JTK	103	BK	WT

Ordering Example (*model – series – finish*): HTK-103- WT

Product Details

Description:	Line voltage track head using GU10 lamps. Designed for use with WAC H, L, J & J2 series track. In addition it may fit other manufacturer's original track (consult factory for specific brands).
Materials:	Formed metal with polycarbonate track adaptor and aiming screws in black or white to match track finish. GU10 based 250V porcelain socket with nickel-plated copper screw shell.
Aiming:	350° horizontal rotation and 90° vertical aiming. One aiming screws lock fixture aiming angle.
Lamping:	Uses medium base GU10 lamps (included), 50W max. 120 volt.
Systems:	HTK is used with the WAC H system track (HT). JTK is used with the WAC J system and J2 system track (JT & J2-T). LTK is used with the WAC L system track (LT)
Finish:	Abrasion resistant finish in Black (BK), White (WT)
Listing:	UL & CUL Listed. 5 years WAC Lighting product warranty.

Specification Features

- Miniature line voltage track heads utilize GU 10 lamps to achieve the small and sleek look of MR 16 track heads without the need for a transformer.
- Yoke mounted gimbal ring track head providing maximum installation convenience with its ability to work on four different track systems.
- The 103 series track head utilizes the second circuit on the J2 style track with the use of the J Clip (ordered separately).
- H-style track heads may be extended 18", 24", 36" and 48" form track. Extension stems ordered separately, available in Black (BK), or White (WT).