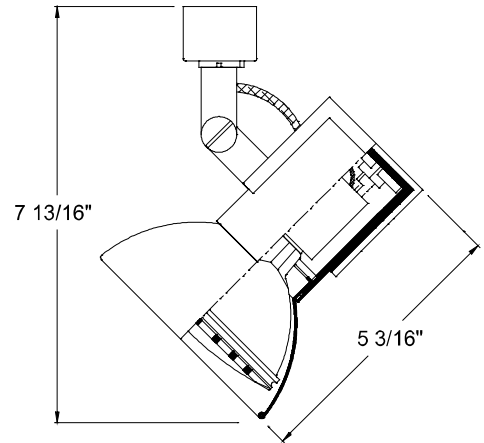
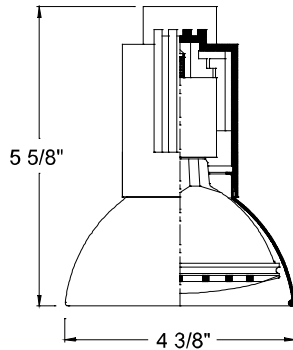


CATALOG NUMBER	TYPE
PROJECT	

LINE VOLTAGE TRACK HEAD

SERIES 774



Ordering Matrix						
Model			Series	Finish		
[]			[]	[]		
HTK	JTK	LTK	774	BK	BN	WT

Ordering Example (model – series – finish): HTK-774-BK

Product Details

Description: Line voltage track head using PAR30 lamps. Designed for use with WAC. H, L, J & J2 series track. In addition it may fit other manufacturer's original track (consult factory for specific brands).

Materials: Die-cast aluminum fixture with heavy gauge aiming screws painted to match fixture finish. Polycarbonate track adaptor in black or white to match track finish. Medium base 250V porcelain socket with nickel-plated copper screw shell.

Aiming: 350° horizontal rotation and 90° vertical aiming. Two aiming screws (one on each side of fixture) lock fixture aiming angle.

Lamping: Uses medium base PAR30 lamps, 75W max. 120 volt.

Systems: HTK is used with the WAC H system track (HT). JTK is used with the WAC J system and J2 system track (JT & J2-T). LTK is used with the WAC L system track (LT)

Finish: Abrasion resistant power coat paint finish. Available in Black (BK), White (WT), Brushed Nickel (BN)

Listing: UL & CUL Listed. 5 year WAC. Lighting product warranty.

Specification Features

- Die-cast aluminum fixture with decorative fins for heat dissipation and a full lamp cone for concealment of lamp and internal fixture parts.
- The 774 series track head utilizes the second circuit on the J2 style track with the use of the JClip (ordered separately).
- Line voltage track head extensions are available for the H system, available in 18", 24", 36" and 48" lengths. Add H18, H24, H36 or H48 to ordering code. Ordered as Black or white.