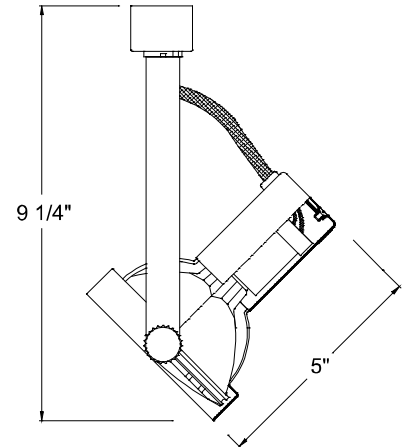
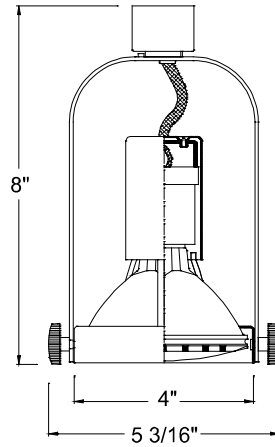


CATALOG NUMBER	TYPE
PROJECT	

LINE VOLTAGE TRACK HEAD

SERIES 764



Ordering Matrix						
Model			Series	Finish		
[]			[]	[]		
HTK	JTK	LTK	764	BK	BN	WT

Ordering Example (model – series – finish): HTK-764-BK

Product Details	
Description:	Line voltage track head using PAR30 lamps. Designed for use with WAC H, L, J & J2 series track. In addition it may fit other manufacturer's original track (consult factory for specific brands).
Materials:	Formed metal with polycarbonate track adaptor and aiming screws in black or white to match track finish. Medium base 250V porcelain socket with nickel-plated copper screw shell.
Aiming:	350° horizontal rotation and 90° vertical aiming. Two aiming screws (one on each side of fixture) lock fixture aiming angle.
Lamping:	Uses medium base PAR30S lamps, 75W max. 120 volt.
Systems:	HTK is used with the WAC H system track (HT). JTK is used with the WAC J system and J2 system track (JT & J2-T). LTK is used with the WAC L system track (LT)
Finish:	Abrasion resistant power coat paint finish. Available in Black (BK), White (WT), Brushed Nickel (BN)
Listing:	UL & CUL Listed. 5 year WAC Lighting product warranty.

Specification Features
<ul style="list-style-type: none"> • Yoke mounted gimbal ring, track head providing maximum installation convenience with its ability to work on four different track systems. • The 764 series track head utilizes the second circuit on the J2 style track with the use of the JClip (ordered separately). • Line voltage track head extensions are available for the H system, available in 18", 24", 36" and 48" lengths. Add H18, H24, H36 or H48 to ordering code. Ordered as Black or white.