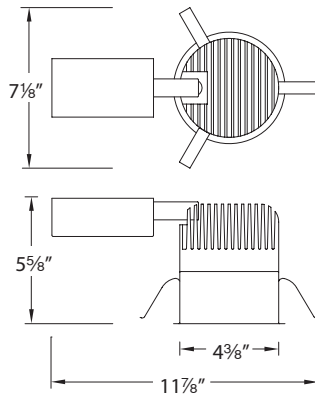


# HR-LED418-RIC

4" LEDme® – IC-Rated, Remodel Housing

# WAC LIGHTING

Responsible Lighting®



Fixture Type:

Catalog Number:

Project: \_\_\_\_\_

Location: \_\_\_\_\_

## PRODUCT DESCRIPTION

4 inch LEDme® IC-Rated remodel housing, includes six 3W LED's. For use with LEDme® 4 inch trims.

## FEATURES

- Energy Star®
- Cutout: 4 3/8"
- 100,000 hour rated life
- Accommodates ceiling thickness up to 1"
- UL and CUL Listed
- 5 year WAC Lighting product warranty

## FIXTURE PERFORMANCE

Model #	Color Temp	Watt	Lumens	Efficacy	CRI
<b>HR-LED418-RIC-27</b>	2700K	10.2W	639	58.1 Lm/W	85
<b>HR-LED418-RIC-W</b>	3000K	10.2W	639	58.1 Lm/W	85
<b>HR-LED418-RIC-35</b>	3500K	10.2W	681	62.0 Lm/W	80
<b>HR-LED418-RIC-C</b>	4500K	10.2W	815	70.0 Lm/W	75

## ORDER NUMBER

Model #	Color Temp
<b>HR-LED418-RIC</b>	<b>27</b> 2700K
	<b>W</b> 3000K
	<b>35</b> 3500K
	<b>C</b> 4500K

**HR-LED418-RIC** –

Example: **HR-LED418-RIC-C**

## SPECIFICATIONS

**Construction:** Die-cast aluminum heat sink painted black. Housing and junction box are 20 gauge steel.

**J-Box:** Seven knockouts and four Romex® style wiring connectors provided for ease of installation. Rated for branch wiring.

**Driver:** Electronic driver, 120VAC/60Hz input, 10.2W output, 450mA current. Power factor >0.9. Dimming with thermal protection.

**Light Source:** Includes six 3W ANSI compliant Warm/Neutral LEDs for the finest color consistency possible. Replacement modules available.

**Dimming:** May be dimmed to 1% with electronic low voltage (ELV) dimmer.

**Mounting:** Three heavy gauge inner retention clips push out onto ceiling or other mounting surface to firmly hold housing in place. Accommodates surface up to 1/2" thick. 4 3/8" cutout hole.

**Rating:** IC-Rated: Suitable for direct contact with insulation.

**Standards:** UL & CUL Listed.

## REPLACEMENT MODULES

Model #	Color Temp
<b>RM-6X3-27</b>	2700K
<b>RM-6X3-30</b>	3000K
<b>RM-6X3-35</b>	3500K
<b>RM-6X3-45</b>	4500K

## COMPATIBLE TRIMS

Model #	Description	Finish – (where there is a slash (/) the letters correspond as: interior finish/ exterior finish)
<b>HR-LED411</b>	Round, Open Reflector Downlight	Black/Brushed Nickel ( <b>BK/BN</b> ), Black/White ( <b>BK/WT</b> ), White/White ( <b>WT/WT</b> )
<b>HR-LED421</b>	Round, Step Baffle Downlight	White/White ( <b>WT/WT</b> )
<b>HR-LED431</b>	Round, Shower light	Chrome ( <b>CH</b> ), White ( <b>WT</b> )
<b>HR-LED451</b>	Square, Open Reflector Downlight	Black/Brushed Nickel ( <b>BK/BN</b> ), Black/White ( <b>BK/WT</b> ), White/White ( <b>WT/WT</b> )
<b>HR-LED471</b>	Square, Shower light	Chrome ( <b>CH</b> ), White ( <b>WT</b> )

Example: **HR-LED411-BK/BN**

See individual trim spec sheets for complete information.

## WAC Lighting

www.waclighting.com

Phone (800) 526.2588 • Fax (800) 526.2585

## Headquarters/Eastern Distribution Center

44 Harbor Park Drive • Port Washington, NY 11050

Phone (516) 515.5000 • Fax (516) 515.5050

## Western Distribution Center

1750 Archibald Avenue • Ontario, CA 91760

Phone (800) 526.2588 • Fax (800) 526.2585

# HR-LED418-RIC

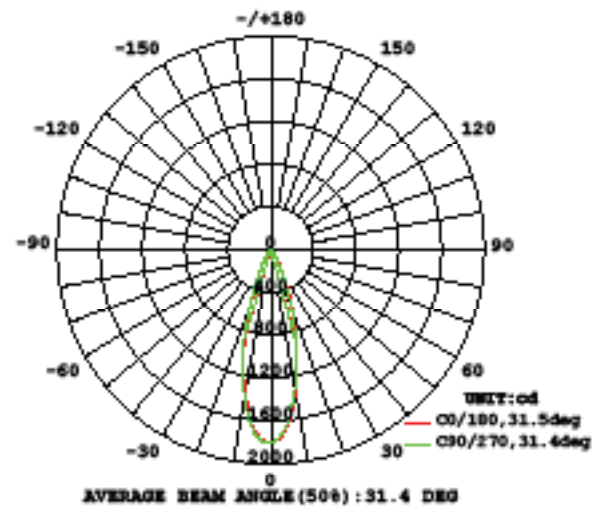
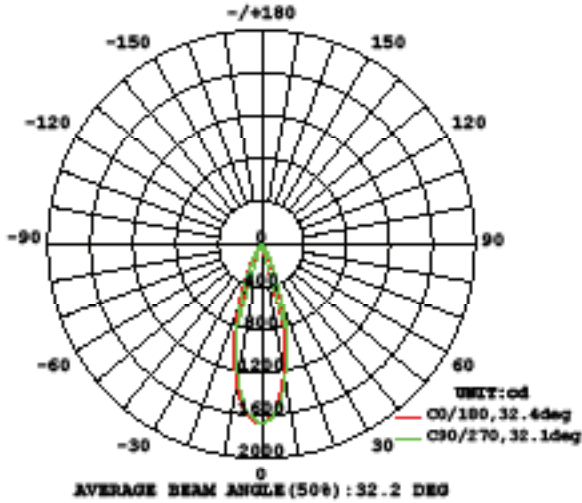
## Photometrics

# WAC LIGHTING

Responsible Lighting®

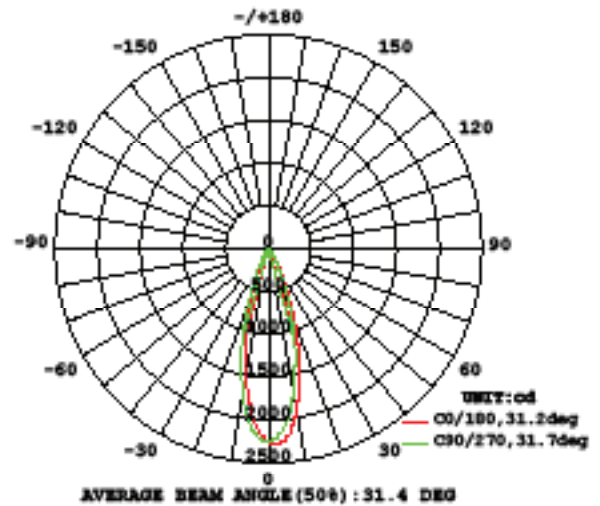
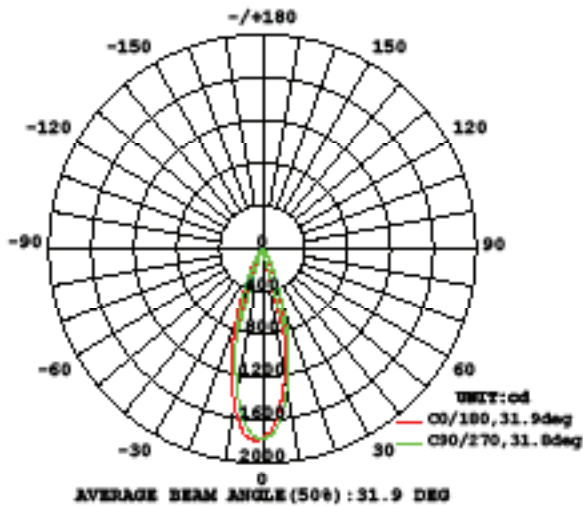
2700K

3000K



3500K

4500K



WAC Lighting  
www.waclighting.com  
Phone (800) 526.2588 • Fax (800) 526.2585

Headquarters/Eastern Distribution Center  
44 Harbor Park Drive • Port Washington, NY 11050  
Phone (516) 515.5000 • Fax (516) 515.5050

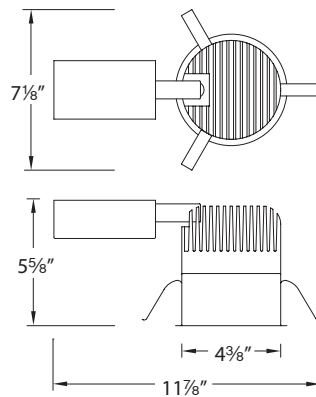
Western Distribution Center  
1750 Archibald Avenue • Ontario, CA 91760  
Phone (800) 526.2588 • Fax (800) 526.2585

# HR-LED418-R

4" LEDme® – Non-IC, Remodel Housing

# WAC LIGHTING

Responsible Lighting®



Fixture Type:

Catalog Number:

Project: \_\_\_\_\_

Location: \_\_\_\_\_

## PRODUCT DESCRIPTION

4 inch LEDme® Non-IC remodel housing, includes six 3W LED's. For use with LEDme® 4 inch trims.

## FEATURES

- Energy Star®
- Cutout: 4 3/8"
- 100,000 hour rated life
- Accommodates ceiling thickness up to 1"
- UL and CUL Listed
- 5 year WAC Lighting product warranty

## FIXTURE PERFORMANCE

Model #	Color Temp	Watt	Lumens	Efficacy	CRI
HR-LED418-R-27	2700K	16W	846	56.4 Lm/W	85
HR-LED418-R-W	3000K	16W	846	56.4 Lm/W	85
HR-LED418-R-35	3500K	16W	901	60.1 Lm/W	80
HR-LED418-R-C	4500K	16W	1135	67.1 Lm/W	75

## ORDER NUMBER

Model #	Color Temp
HR-LED418-R	27 2700K
	W 3000K
	35 3500K
	C 4500K

**HR-LED418-R** –

Example: HR-LED418-R-C

## COMPATIBLE TRIMS

Model #	Description	Finish – (where there is a slash (/) the letters correspond as: interior finish/ exterior finish)
HR-LED411	Round, Open Reflector Downlight	Black/Brushed Nickel (BK/BN), Black/White (BK/WT), White/White (WT/WT)
HR-LED421	Round, Step Baffle Downlight	White/White (WT/WT)
HR-LED431	Round, Shower light	Chrome (CH), White (WT)
HR-LED451	Square, Open Reflector Downlight	Black/Brushed Nickel (BK/BN), Black/White (BK/WT), White/White (WT/WT)
HR-LED471	Square, Shower light	Chrome (CH), White (WT)

Example: HR-LED411-BK/BN

See individual trim spec sheets for complete information.

## SPECIFICATIONS

**Construction:** Die-cast aluminum heat sink painted black. Housing and junction box are 20 gauge steel.

**J-Box:** Seven knockouts and four Romex® style wiring connectors provided for ease of installation. Rated for branch wiring.

**Driver:** Electronic driver, 120VAC/60Hz input, 16W output, 700mA current. Power factor >0.9. Dimming with thermal protection.

**Light Source:** Includes six 3W ANSI compliant Warm/Neutral LEDs for the finest color consistency possible. Replacement modules available.

**Dimming:** May be dimmed to 1% with electronic low voltage (ELV) dimmer.

**Mounting:** Three heavy gauge inner retention clips push out onto ceiling or other mounting surface to firmly hold housing in place. Accommodates surface up to 1/4" thick. 4 3/8" cutout hole.

**Rating:** Non-IC: insulation must be kept at least 3" away from the housing.

**Standards:** UL & CUL Listed.

## REPLACEMENT MODULES

Model #	Color Temp
RM-6X3-27	2700K
RM-6X3-30	3000K
RM-6X3-35	3500K
RM-6X3-45	4500K

## WAC Lighting

www.waclighting.com

Phone (800) 526.2588 • Fax (800) 526.2585

## Headquarters/Eastern Distribution Center

44 Harbor Park Drive • Port Washington, NY 11050

Phone (516) 515.5000 • Fax (516) 515.5050

## Western Distribution Center

1750 Archibald Avenue • Ontario, CA 91760

Phone (800) 526.2588 • Fax (800) 526.2585

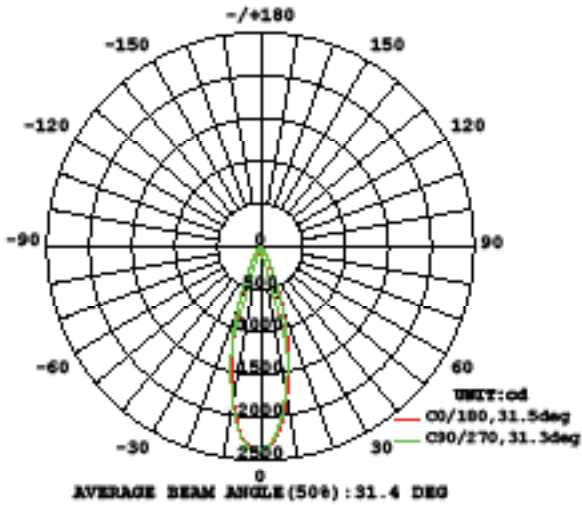
# HR-LED418-R

## Photometrics

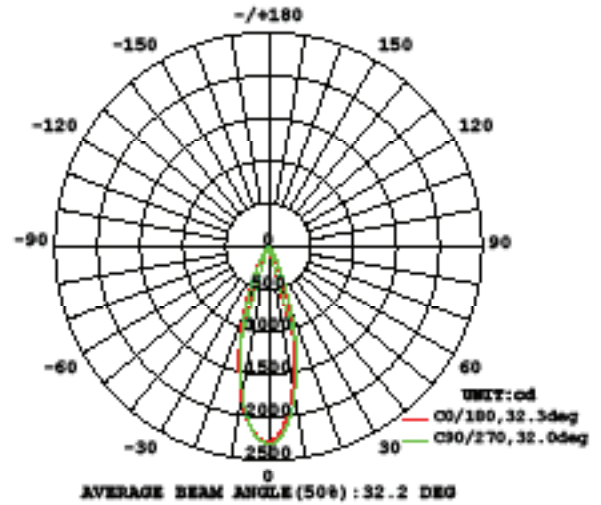
# WAC LIGHTING

Responsible Lighting®

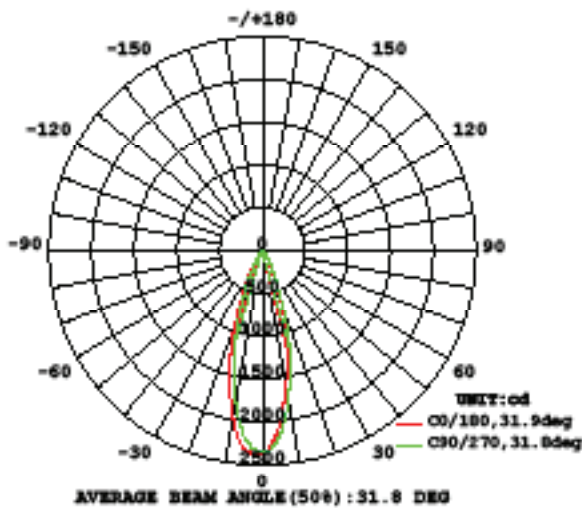
2700K



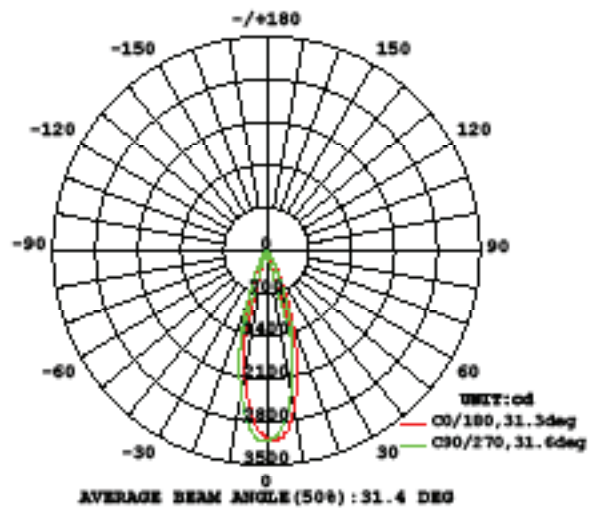
3000K



3500K



4500K



WAC Lighting  
www.waclighting.com  
Phone (800) 526.2588 • Fax (800) 526.2585

Headquarters/Eastern Distribution Center  
44 Harbor Park Drive • Port Washington, NY 11050  
Phone (516) 515.5000 • Fax (516) 515.5050

Western Distribution Center  
1750 Archibald Avenue • Ontario, CA 91760  
Phone (800) 526.2588 • Fax (800) 526.2585