

# INSTALLATION INSTRUCTION

## Button Lights - Low Voltage

HR-88, HR-86

WAC LIGHTING  
Responsible Lighting®

### SAFETY INSTRUCTION

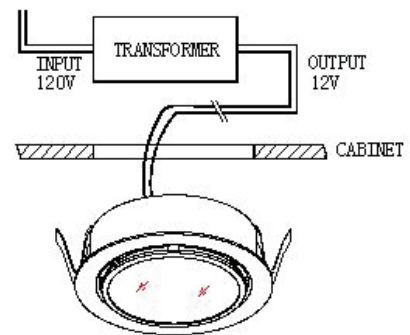
A qualified electrician must install fixture only. Fixture is intended for installation in accordance with National Electric Code, local and Federal code specifications.

To reduce the risk of fire, electrical shock and injuries to persons:

- Disconnect Power at electrical panel before servicing.
- Use only insulated staples or plastic ties to secure cords.
- Route and secure cords so they will not be pinched or damaged when cabinet is pushed to the wall.
- Position light to permit reading of lamp replacement marking during relamping .
- Not intended for recessed installation in ceilings.
- Do not use in a closed end hole, allow access to air.
- Use only with WAC class II power supply.

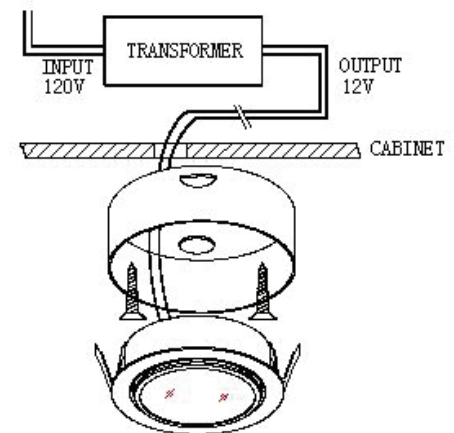
### RECESS MOUNT

1. Cut a 2 3/8" diameter hole on the surface.
2. The decorative cover piece is not needed for recessed mounting, and may be discarded.
3. Feed the fixture wires through the hole, and connect to wires from the transformer with wire nuts provided.
4. Either home run or parallel wiring only
5. Compress the springs on either side of the fixture and insert into the opening.

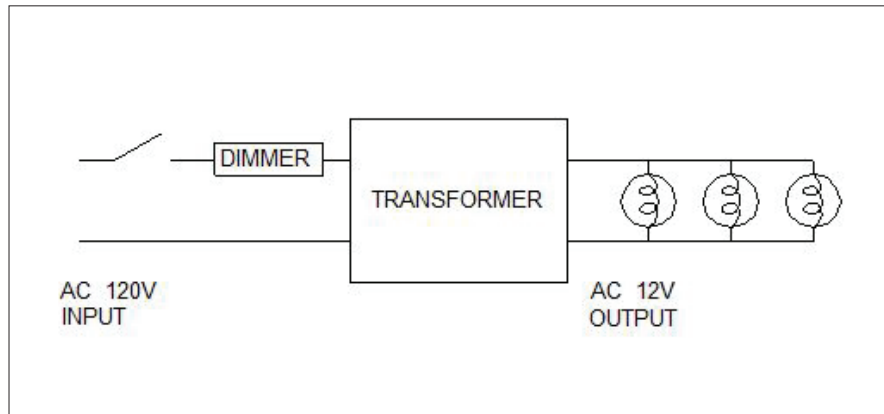


### SURFACE MOUNT

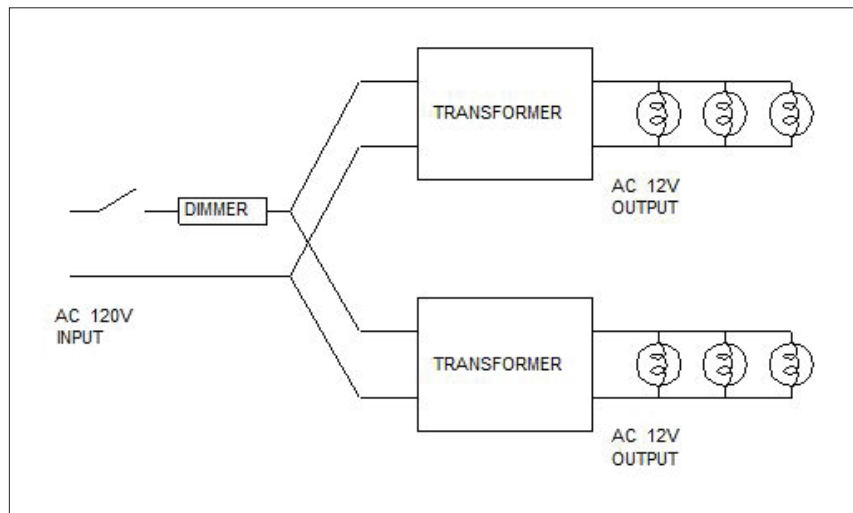
1. Wires may be run behind the fixture or along a surface. Determine the most convenient location for wire passage.
  - The "D" shaped knock out hole in the cover piece allows wire to exit and run along a surface.
  - To wire behind the fixture, drill a hole in the surface sufficient to allow the socket wires through. Punch the knock out in the cover piece and align with the hole.
  - Either home run or parallel wiring only
2. Screw the cover piece to the surface with screws provided.
3. Feed the fixture wires through the hole, and connect to wires from the transformer with wire nuts provided ( make sure that the splices are properly enclosed).
4. Compress the springs on either side of the fixture and insert into the back cover.



**WIRING A TRANSFORMER TO A SWITCH (DIMMER OPTIONAL)**



**WIRING MULTIPLE TRANSFORMERS (DIMMER OPTIONAL)**



**VOLTAGE DROP GUIDELINE**

WIRE SIZE	20W	40W	60W
18 gauge	8'	8'	6'
16 gauge	12'	12'	10'
14 gauge	16'	16'	14'
12 gauge	20'	20'	18'