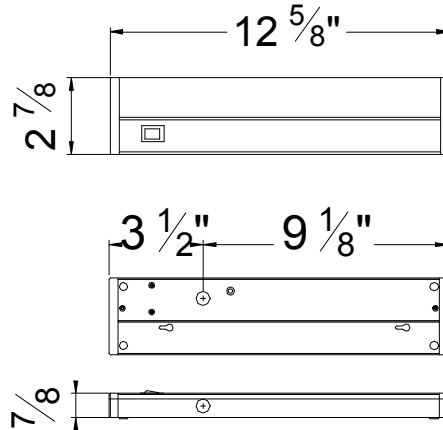


CATALOG NUMBER	TYPE
PROJECT	

UNDER CABINET FLUORESCENT **BA-BF-08**



Ordering Matrix			
Model	Series	Lamp	Finish
[]	[]	[]	[]
BA	BF	08	BB WT

Ordering Example (model – series – lamp – finish) : BA-BF-08-WT

Product Details	
Description:	Low profile fluorescent undercabinet light bar for use on wood cabinets, desks, shelves and bookcases. The “builder” series features a universal body style and finish suitable for use in both surface mount and hidden applications.
Materials:	Formed steel body with a white paint finish. Snap-in polycarbonate diffuser lens. Two interconnect receptacles (one on each end) for end to end connection of multiple units. Integral on-off switch. Supplied with all mounting hardware and one BX/NM clamp adaptor.
Ballast:	HPF electronic ballast, 120V. 50/60 Hz.
Connection:	Two knockouts, one on the backside and one on the underside, for hardwiring. Poke-home style connectors are pre-installed on the interior wiring for installation convenience. Optional 6’ power cord also available.
Lamping:	Single 8w T5 lamp included.
Finish:	BB – Bronze WT- White
Accessories:	BA-BF-IC12 = Interconnect Cable BA-BF-PC6 = Power Cord w/plug BA-BF-I = I-Connector
Listing:	UL & CUL Listed.

Specification Features
<ul style="list-style-type: none"> Other wattage choices are available; refer to the W.A.C. undercabinet catalog or the website, www.waclighting.com, to see the full selection. Straight forward lens design allows for tool less re-lamping of the fixture. The BA-BF can be hard wired to run off a standard wall switch. The integral high performance electronic ballast means years of cool and quiet operation from this energy efficient undercabinet bar light. 5 year W.A.C. Lighting product warranty.