

aireRyder

LIMITED LIFETIME WARRANTY

Model No.: FN52238 / FN52239

aireRyder ORIGINAL CEILING FAN LIMITED LIFETIME WARRANTY

The limited lifetime warranty covers this ceiling fan, for residential use by the original purchaser, against defects in material or workmanship as follows:

If your aireRyder Ceiling Fan motor fails at any time during the lifetime of the original purchaser due to defects in material or workmanship, we will provide a replacement part free of charge.

If your Fan motor fails at any time within one year after the original date of sale to the original purchaser due to defects in material or workmanship, we will provide labor to repair the defect, with the exception of take down/reinstallation, free of charge. The original purchaser will be responsible for all labor costs after this one year period.

If no replacement parts are provided for any part of your Fan motor that fails at any time during your lifetime due to defects in material or workmanship, we will refund the original purchase price of your Fan.

If your Fan blades, pull chain switch, reverse switch, or any accessory, except glass globes and light bulbs, fails at any time within one year after the original date of purchase due to a defect in material and workmanship, we will repair or, if we choose, replace the defective blades, switch, or accessory free of charge, with the exception of take down/reinstallation services.

If the original purchaser ceases to own the Fan, this warranty and any implied warranty, including but not limited to any implied warranty of merchantability or fitness for a particular purpose, become void. This warranty and any implied warranty, including but not limited to any implied warranty of merchantability or fitness for a particular purpose, do not cover glass globes, light bulbs, or finish on any metal portions of the Fan.

This warranty is in lieu of express warranties. The duration of any implied warranty of merchantability or fitness for a particular purpose, with respect to any aireRyder Ceiling Fan motor, blades, switch, or accessories, is expressly limited to the period of the express warranty set forth above for such motor, blades, switch, or accessories.

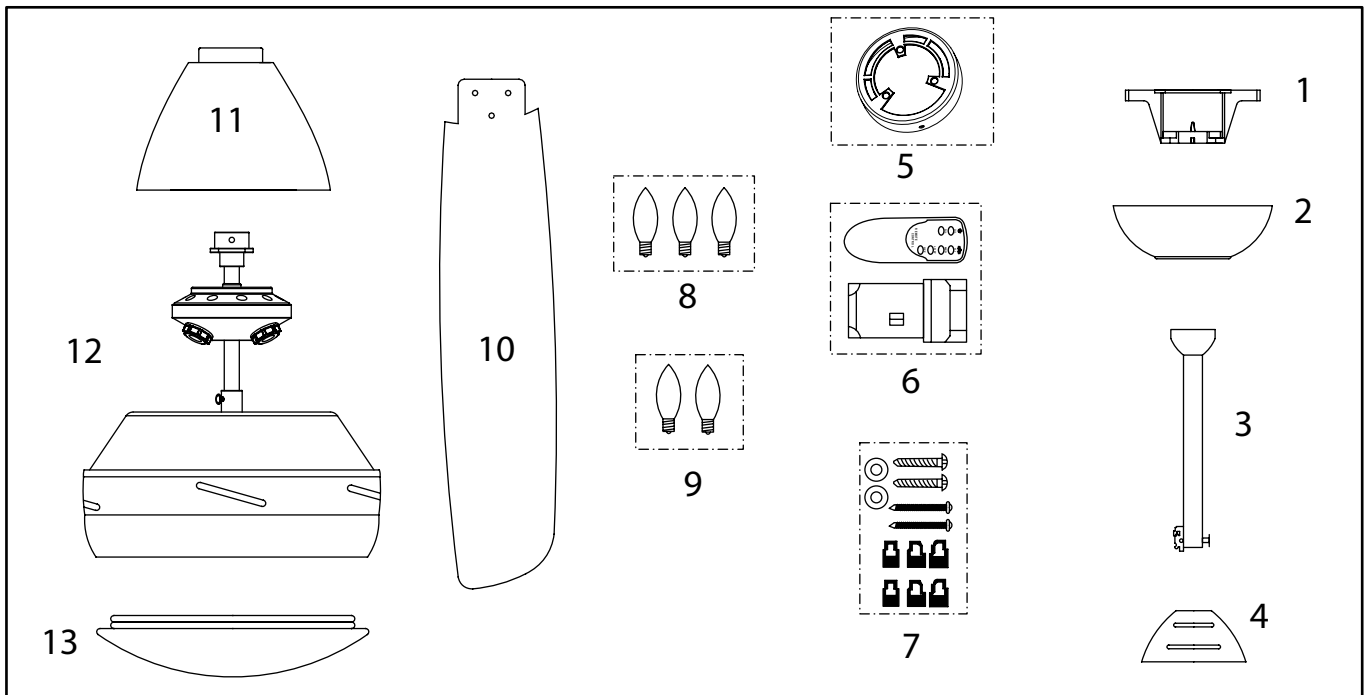
This warranty excludes defects, malfunctions, or failures of any aireRyder Ceiling Fan that are caused by repairs by persons not authorized by us, use of parts or accessories not authorized by us, mishandling, improper installation, modifications or damage to the Fan while in your possession, or unreasonable use, including failure to provide necessary maintenance.

In no event shall aireRyder Fan be liable for consequential or incidental damages.

Some states do not allow the exclusion or limitation of consequential or incidental damages, in which case the above limitation or exclusion may not apply.

This warranty gives you specific legal rights and you may also have other rights which vary from state to state.

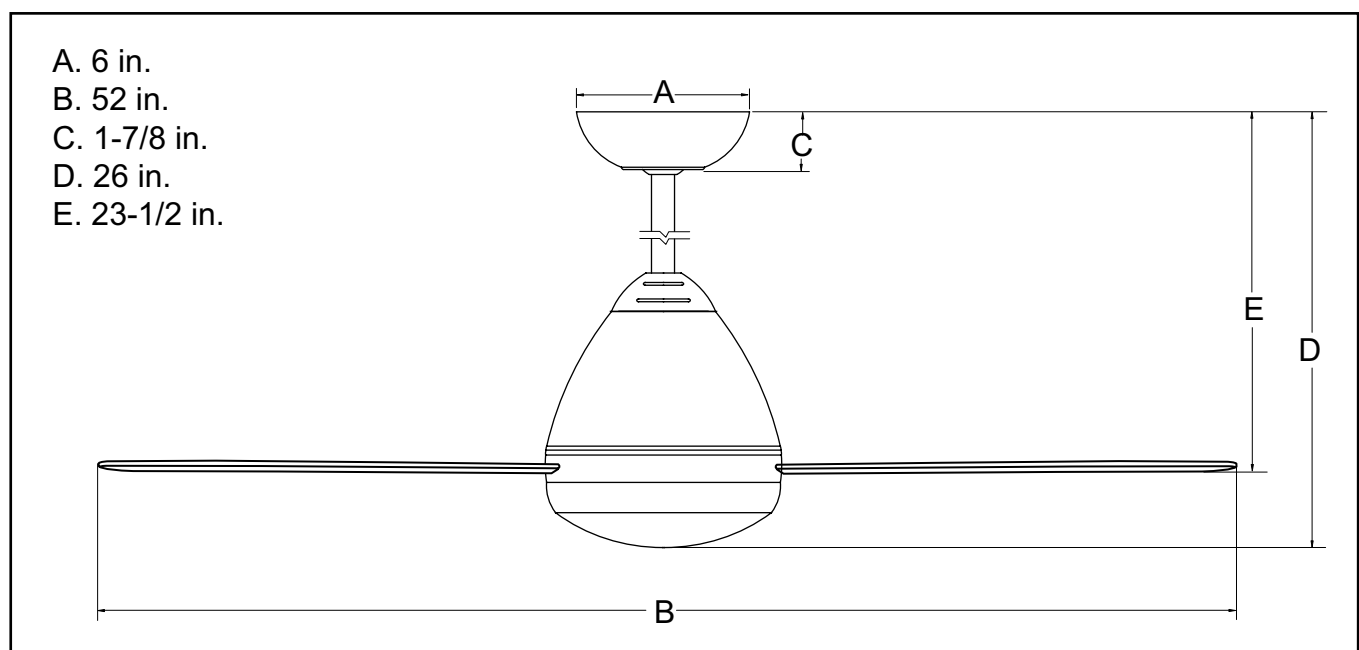
Package Contents:



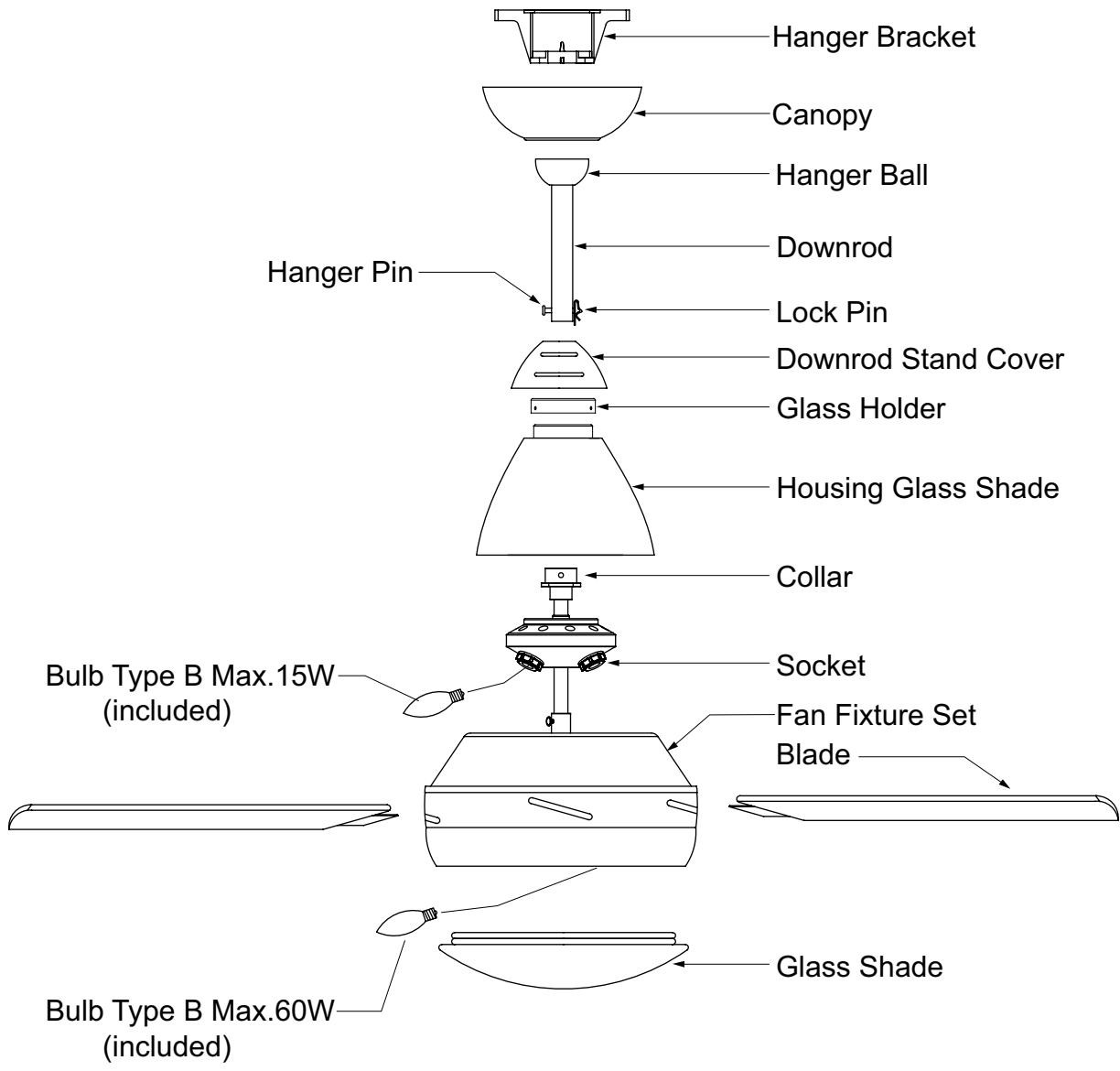
Unpack your fan and check the contents. You should have the following items.

- 1.) Hanger Bracket
- 2.) Canopy
- 3.) Downrod Set (Includes Hanger Ball, 12 in. Downrod, Hanger Pin & Lock Pin)
- 4.) Downrod Stand Cover
- 5.) Glass Holder
- 6.) Remote Control Set (Includes Transmitter & Receiver)
- 7.) Assembly Set
- 8.) 3-15 Watt Candelabra Bulbs for Up light (Bulbs Included)
- 9.) 2-60 Watt Candelabra Bulbs for Down light (Bulbs Included)
- 10.) Fan Blade (X5)
- 11.) Housing Glass Shade
- 12.) Fan Fixture Set
- 13.) Glass Shade

Dimension Reference (Installed with 12 in. Downrod)



Decomposition Chart



Safety Instructions

READ ALL SAFETY INFORMATION AND INSTALLATION INSTRUCTIONS BEFORE YOU BEGIN INSTALLING THE FAN. SAVE INSTRUCTIONS.

- All set screws of the fan must be checked and retightened where necessary before installation.
- To reduce the risk of personal injury, do not bend the blade brackets when installing the brackets, balancing the blades or cleaning fan. Do not insert foreign objects in between rotating fan blades.
- Before changing the fan direction, turn off the fan and wait for the fan blades to stop completely.
- If a stationary appliance is not provided with a supply cord and a plug, or with other means for disconnection from the mains supply having a contact separation of at least 3 mm in all poles, that means for disconnection must be incorporated in the fixed wiring in accordance with the wiring rules.
- NOTE: The safeguards provided by these safety instructions and by the separate installation instructions are not meant to cover all possible conditions and situations that may occur. It must be understood that common sense, caution and care are factors which can not be built into this product. These factors must be supplied by the person(s) installing, caring for and operating the fan.

WARNING

- TO AVOID RISK OF ELECTRIC SHOCK, BE SURE TO SHUT OFF POWER AT THE MAIN FUSE OR CIRCUIT BREAKER BOX BEFORE INSTALLING OR SERVICING THIS FIXTURE. TURNING OFF THE ELECTRICAL POWER BY USING THE LIGHT SWITCH IS NOT SUFFICIENT TO PREVENT ELECTRICAL SHOCK.
- TO REDUCE THE RISK OF INJURY, INSTALL THE FAN SO THAT THE BLADES ARE AT LEAST 7 FEET (2.1 METERS) ABOVE THE FLOOR AND AT LEAST 18 INCHES (0.5 METERS) FROM THE TIP OF THE BLADES TO THE WALL.
- TO REDUCE THE RISK OF FIRE, ELECTRIC SHOCK, OR PERSONAL INJURY, MOUNT TO OUTLET BOX MARKED "ACCEPTABLE FOR FAN SUPPORT" AND USE MOUNTING SCREWS PROVIDED WITH THE OUTLET BOX.
- THE INSTALLATION HAS TO BE IN ACCORDANCE WITH THE NATIONAL ELECTRICAL CODE, ANSI/NFPA 70-1999 AND LOCAL CODES. IF YOU ARE UNFAMILIAR WITH THE METHODS OF INSTALLING ELECTRICAL WIRING, SEEK THE SERVICES OF A QUALIFIED LICENSED ELECTRICIAN.
- SUITABLE FOR USE WITH SOLID STATE SPEED CONTROLS.

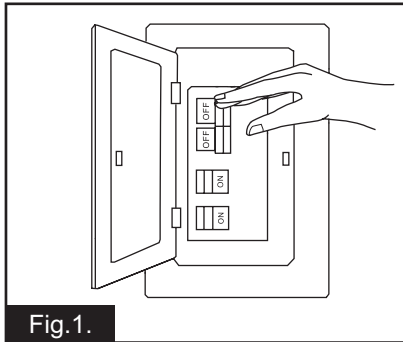
INSTALLATION INSTRUCTIONS

IMPORTANT:

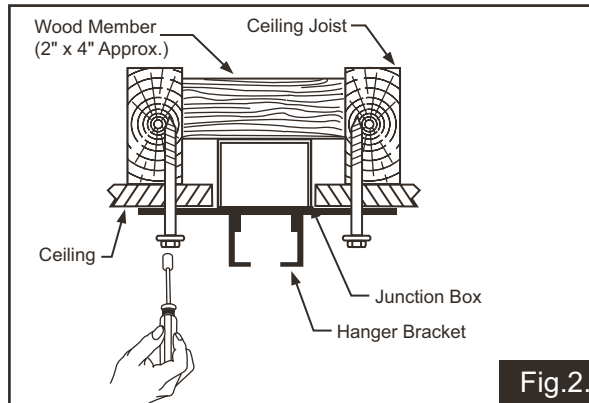
- BEFORE YOU BEGIN INSTALLING THE FAN, CAREFULLY READ ALL INFORMATION ON THE SEPARATE SHEET "SAFETY INSTRUCTIONS" AS WELL AS THE FOLLOWING "INSTALLATION INSTRUCTIONS". IF IN DOUBT, CONSULT A QUALIFIED ELECTRICIAN.
- THIS FAN MUST BE INSTALLED WITH A WALL CONTROL/SWITCH.
- SAVE ALL INSTRUCTIONS.

NOTE: The fan weight is 24.4 lb (11 kg). Be sure the outlet box you are using is securely attached to the building structure and can support the full weight of the fan. Failure to do so can result in serious injury.

Installation Steps:

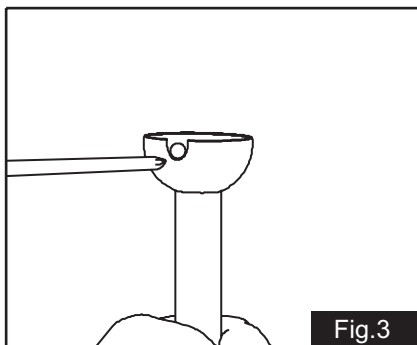


Turn off the electric power at the main fuse or circuit breaker box.

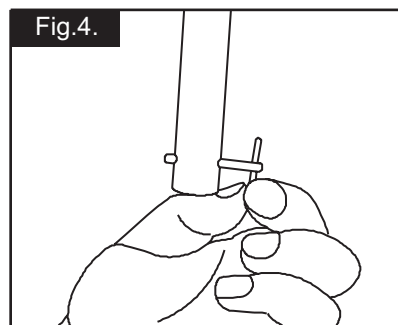


Tighten the hanger bracket to the outlet box with two mounting screws. (**Make sure the outlet box is securely installed so that it will be able to support at least the fan weight.**)

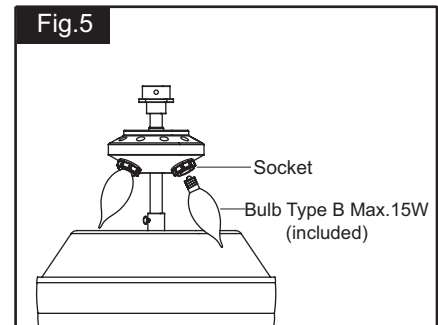
WARNING: MOUNT ONLY TO AN OUTLET BOX MARKED "ACCEPTABLE FOR FAN SUPPORT"!



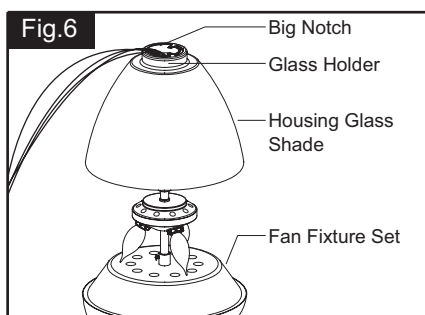
Loosen the hanger ball screw, then take off the hanger ball and pin.



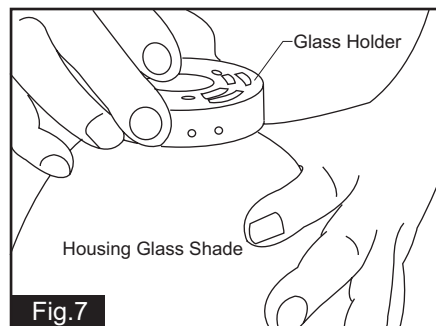
Take off the downrod pin from downrod.



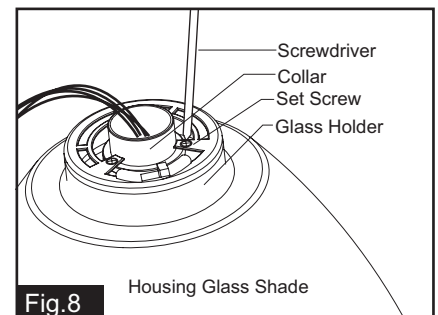
Install the bulbs (included). See relamping label at socket area or packaging for maximum allowed wattage.



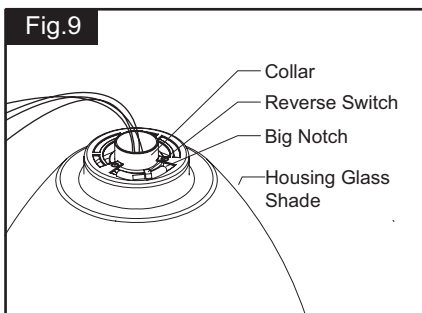
Thread the wires through the assembled housing glass shade. Then attach the assembled housing glass shade to the fan fixture set by inserting the collar. Adjust the housing glass shade to make the reverse switch locate in the big notch of the glass holder. (See Fig.9)



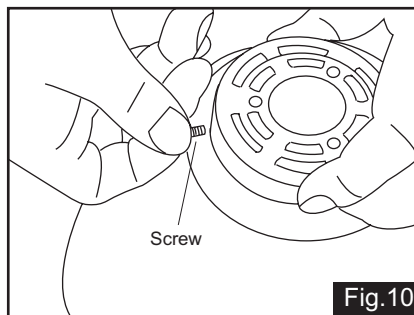
Gently attach the glass holder onto the housing glass shade.



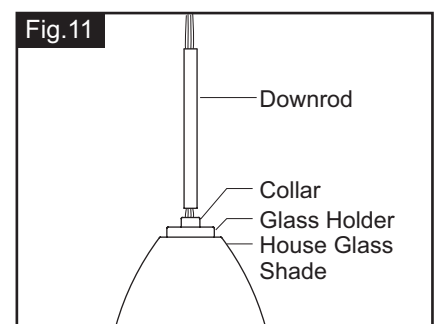
Secure the glass holder to the collar by using the set screw.



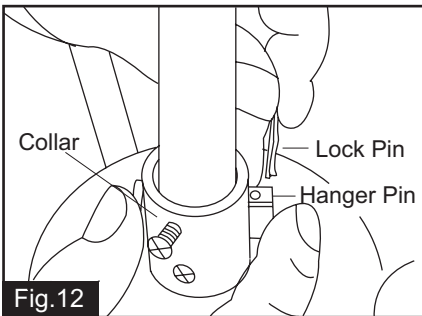
Use the reverse switch to turn the fan spin to difference direction.



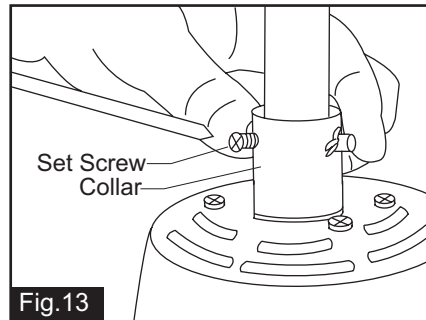
Secure the glass holder to the housing glass shade using the screws provided, but not over tighten.



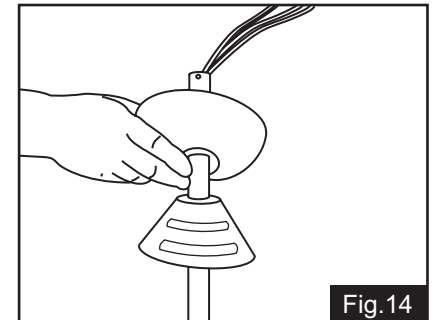
Thread the motor wires through the downrod. Then insert the downrod into the collar.



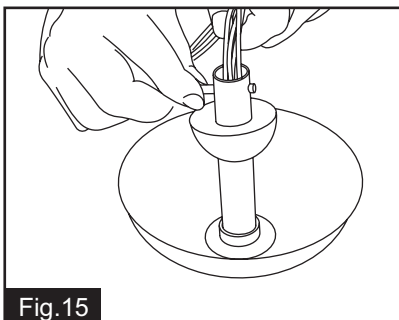
Insert the hanger pin through the holes in the collar and downrod. Insert the lock pin through the hole near the end of the hanger pin until it snaps into its locked position.



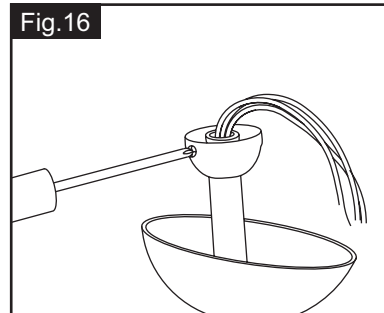
Tighten the downrod set screws on the collar.



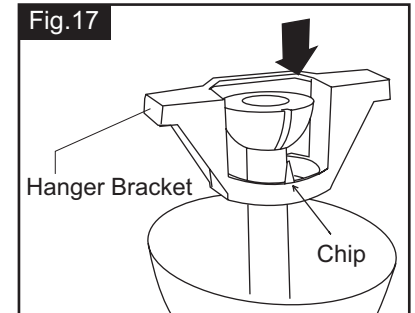
Thread the motor wires through the downrod stand cover, canopy in order.



Install the hang ball onto the downrod, then insert the hanger ball pin through the top hole of the downrod.



Tighten the hanger ball screw to the downrod.



Hang the fan on hanger bracket, and make sure the slot of hanger ball is aimed into the chip of hanger bracket exactly.

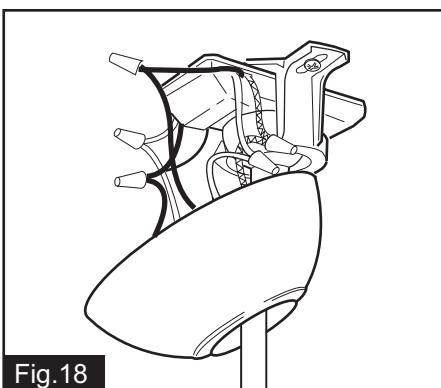


Fig.18

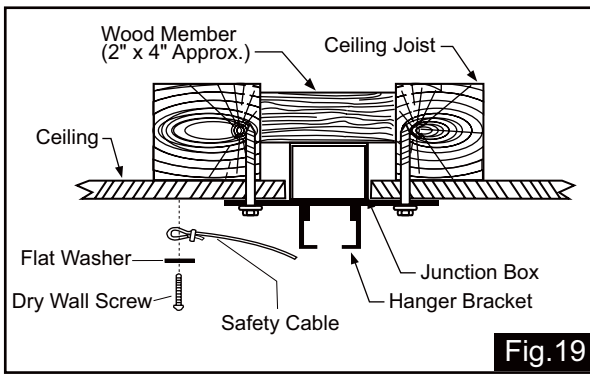
Make wires connections:

- 1) The white wire from the motor to the white wire from the receiver with a wire nut.
- 2) The black wire from the motor to the black wire from the receiver with a wire nut.
- 3) The blue wire from the motor to the blue wire from the receiver with a wire nut.
- 4) The red wire from the motor to the orange wire from the receiver with a wire nut.
- 5) The white wire from the outlet box to the red wire from the receiver with "AC in N" with a wire nut.
- 6) The black (hot) wire from the outlet box to the red wire from the receiver with "AC in L" with a wire nut.
- 7) The ground wire from the outlet box to the green ground wire from the motor with a wire nut.

Make sure all of wire nuts are connected exactly.

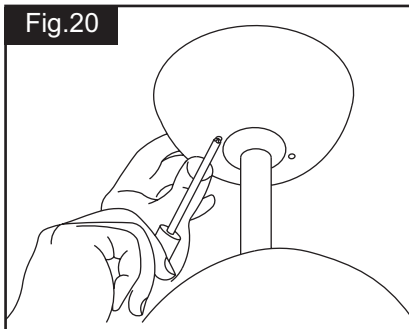
*** After making the wire connections, the wires should be spread apart with the grounded conductor and the equipment-grounding conductor on one side of the outlet box and the ungrounded conductor on the other side of the outlet box.

*** After the splices have been made, they should be turned upward and pushed carefully up into the outlet box.

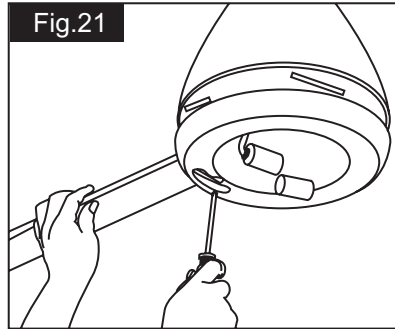


Attach the loop at the end of the safety cable to the ceiling surface, then secure it with a flat washer and dry wall screw. Make sure the flat washer and dry wall screw are covered by the fan canopy.

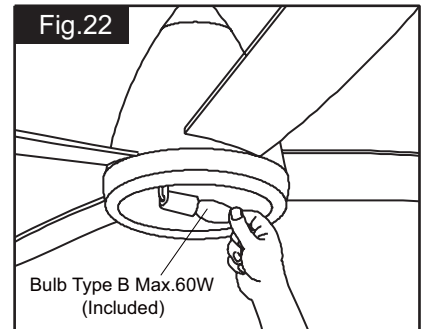
CAUTION: TO REDUCE THE RISK OF ELECTRIC SHOCK, DISCONNECT THE ELECTRICAL SUPPLY CIRCUIT TO THE FAN BEFORE INSTALLING LIGHT KIT.



Secure the canopy to the hanging bracket with canopy screws. (Please keep the antenna out of the canopy to improve the effectiveness of the received signal.)



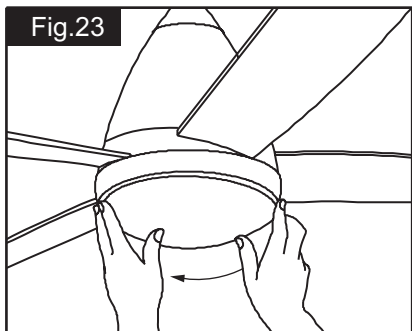
Tighten the blades to the blade holders by using the blade screws and washers.



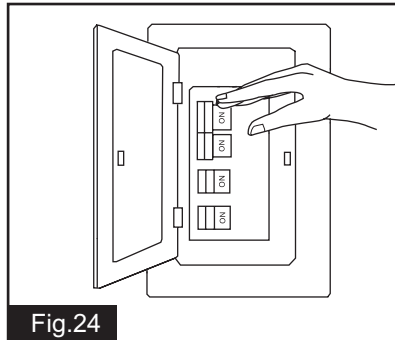
Install bulbs (included). See relamping table at socket area or packaging for maximum allowed wattage.

WARNING:

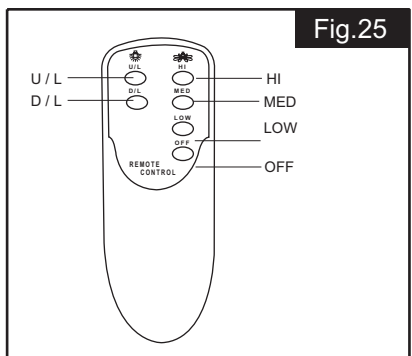
As per EPACT 2005 requirements, this fan light has a built-in current limiting device to conserve energy. The fan light will not operate if the combined wattage of the installed bulbs exceeds 190 Watts. If the fan light shuts off shortly after being switched on, it may be due to excessive current demand. Turn off power to the fan and replace the light bulbs with lower wattage bulbs. Turn on power to the fan, using the pull chain, wall switch, or remote control (whichever is installed on the particular fan).



Install the glass shade by screwing it onto the central fan fixture. (Make sure the glass shade is securely attached, but DO NOT over tighten.)



Turn on the electric power at the main fuse or circuit breaker box.



Install the battery to the transmitter. (9V, not included).

Turn on the electric power.

Press "HI" button to operate the fan in high speed.

Press "MED" button to operate the fan in medium speed.

Press "LOW" button to operate the fan in low speed.

Press "OFF" to turn the fan off.

Press and release the "U/L" button quickly to turn on/off the upper light.

Press and hold the "U/L" button to adjust the illumination of upper light with the dimmer switch.

Press and release the "D/L" button quickly to turn on/off the the lower light.

Press and hold the "D/L" button to adjust the illumination of lower light with the dimmer switch.

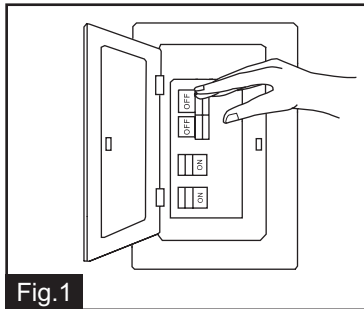
Trouble Shooting Guide

If you have difficulty operating your new ceiling fan, it may be the result of incorrect assembly, installation or wiring. In some cases, these installation errors may be mistaken for defects. If you experience any faults, please check this Trouble Shooting Guide.

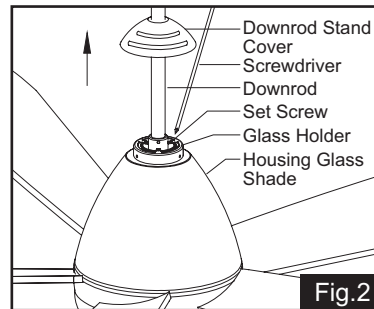
PROBLEM	SUGGESTED REMEDY
1. If fan not start:	<ol style="list-style-type: none">1. Check main and branch circuit fuses or circuit breakers.2. Check the wires connection from receiver to fan and power source.3. Make sure that the wall controler is turned "ON".4. Make sure keys in the transmitter & receiver are in the same position.5. Check the battery is in good position.
2. If fan sounds noisy:	<ol style="list-style-type: none">1. Make sure the screws which fix the fan blade holder to the motor are tight.2. Allow "break-in" period of 24 hours. Most noises associated with a new fan will disappear after this period.
3. If fan wobbles:	<p>All blades are weighed and grouped by weight. Natural woods vary in density which could cause the fan to wobble even though all blades are weight-matched. The following procedures should eliminate most of the wobble. Check for wobble after each step.</p> <ol style="list-style-type: none">1. Check that all blades are screwed firmly into blade holders.2. Check that all blade holders are tightened securely to motor.3. Make sure that canopy and mounting bracket are tightened securely to ceiling junction box and junction box is mounted firmly to ceiling joist.4. If blade wobble is still noticeable, interchanging two adjacent (side by side) blades can redistribute the weight and possibly result in smoother operation.
4. If light does not work:	<ol style="list-style-type: none">1. Check blue / red wires from fan to make sure it is connected to the wires from receiver correctly.2. Check the battery is in good condition.3. Check for loose or disconnected wires in power source.4. Check for faulty light bulbs. CAUTION : Make sure main power is turned off before checking bulbs and wires.5. If the fan light shuts off shortly after being switched on, it may be due to excessive current demand. Turn off power to the fan and replace the light bulbs with lower wattage bulbs. Turn on power to the fan, using the pull chain, wall switch, or remote control (whichever is installed on the particular fan).

How to replace the upper light bulbs

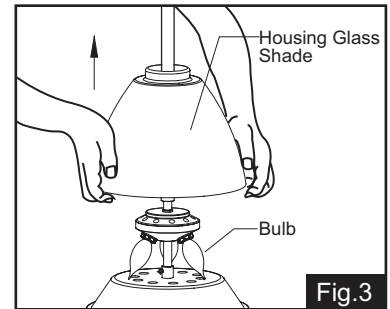
Note: Please do not relamp the bulbs alone because of the heavy glass kit.



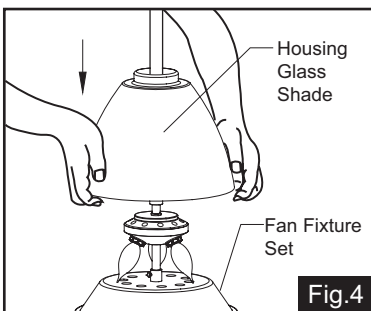
Turn off the electric power at the main fuse or circuit breaker box.



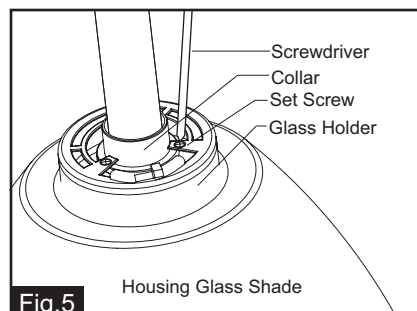
Slide the downrod stand cover upward along the downrod. Unscrew three set screws which fasten the collar and the glass holder by using screwdriver.



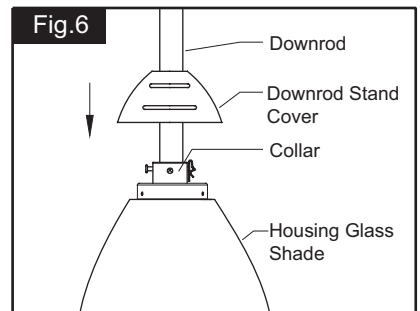
Hold the housing glass shade upward carefully. (NOTE: If the light bulb and glass kit are hot, please remove them after shutting off power for 30 minutes) Take the old bulb from the socket and reinstall a new one.



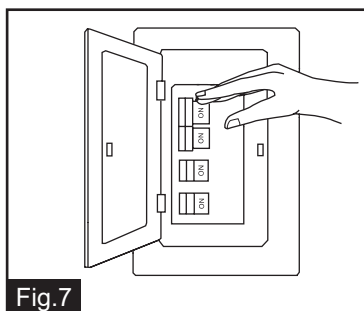
Place the housing glass shade back to the fan fixture set carefully.



Adjust the housing glass shade to make the reverse switch locate in the big notch of the glass holder. Secure the glass holder to the collar using the set screw.



Carefully slide the downrod stand cover back to cover the housing glass shade.

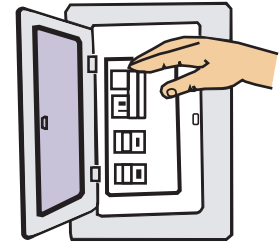


Turn on the electric power at the main fuse or circuit breaker box.

REMOTE CONTROLLER WIRING CHART

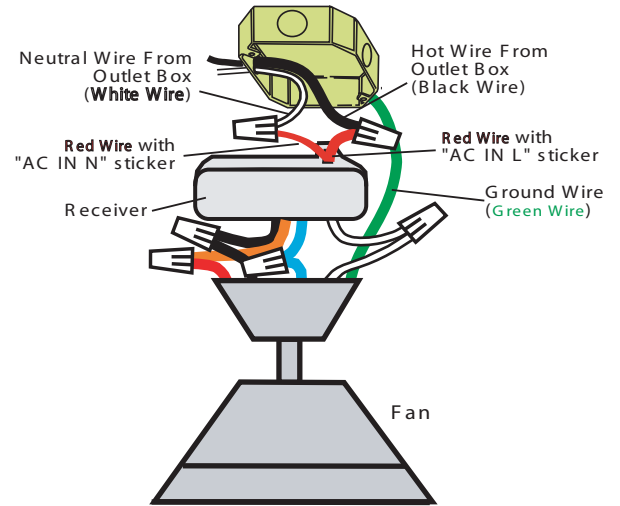
Warning:

- Before installing Remote Controller, make sure the Main Power Supply is turned off.
- AC: 110V~130V/60Hz
- LIGHT: 165W (MAX)
- FAN: 60W (MAX)



Step 1: Make wire connection.

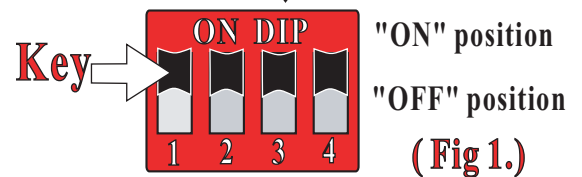
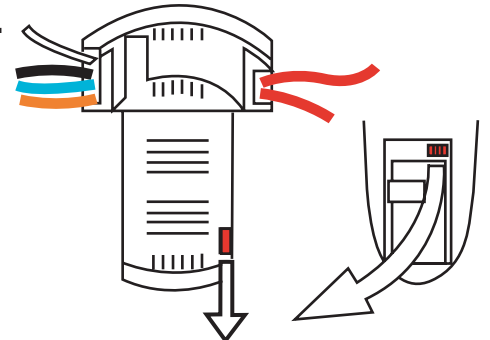
1. White Wire from outlet box to Red Wire from receiver with "AC IN N" sticker.
2. Black Wire from outlet box to Red Wire from receiver with "AC IN L" sticker.
3. Black Wire from receiver to Black Wire from motor.
4. Blue Wire from receiver to Blue Wire from motor.
5. White Wire from receiver to White Wire from motor.
6. Orange Wire from Receiver to Red Wire from Motor.
7. Ground Wire from outlet box to Green Ground Wire from hanger bracket & downrod.
8. Install a 9V battery (not included) into the transmitter. Turn on the power. Press button to operate the fan.



Step 2: Set Frequency before making wire connection.

There is a frequency setter in transmitter and receiver (See Fig 1.). First, set all of the 4 keys at "ON" position. If more than one remote controlled fan is installed or the frequency interfered, the fan may function abnormally. In this situation, you need to reset the fan frequency as per following instructions.

1. Adapt the canopy to the hanger bracket.
2. Please use a ball pen (or any convenient tool) to poke keys to select a desired frequency mode which will not interfere with other electrical units. There are 15 frequency modes for selection excluding the original ex-factory mode (See Fig 2.).

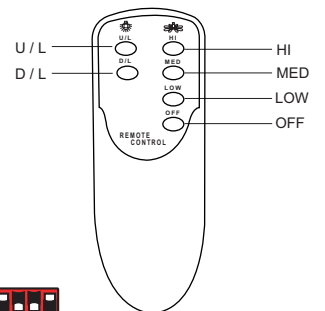


FREQUENCY SETTER
(Ex-Factory Mode)

NOTE: Do not set the remote controlled fans at the same frequency in the same building.

3. Install a 9V battery (not included) into the transmitter.
4. Turn on the power.
5. Press button to operate the fan.

*** Please note to change the frequency-setters in the transmitter & receiver at the same time & at the same key position.***



1). When 1 key is in "OFF" position.



2). When 2 keys are in "OFF" position.



3). When 3 keys are in "OFF" position.

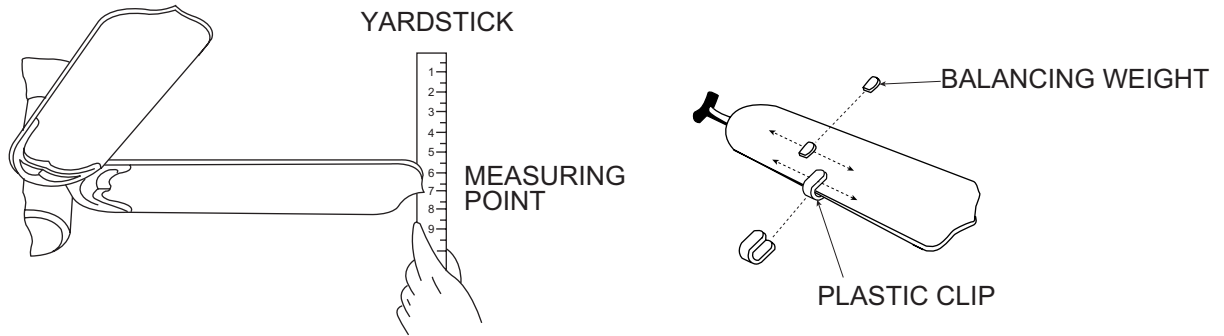


4). When 4 keys are in "ON" or "OFF" position.



(Fig 2.)

DYNAMIC BLADE BALANCING KIT



PREFACE

Your ceiling fan may sometimes have wobbling problems when operating due to irregularity in the blades or the blade holders. Also, improper assembly in the mounting system or crooked bearings may cause some additional problems. This balancing kit can be used to fix wobbling problems.

DYNAMIC BLADE BALANCING KIT FOR CEILING FANS

1. Make certain that all blades are firmly screwed into the blade holder.
2. Make sure that all blade holders are firmly secured to the motor housing and check that the pitch of blade holders are all the same.
3. By looking up at the fan from below, check and be certain that none of the blade holders are bent and that none of the blades are out of position. A correction can be made by very gently bending the blade holder back into position.
4. Use a yardstick to check the blade tracking. Put the yardstick up against the ceiling vertically and against the outside leading edge of a blade. Note the distance of the edge of blade to the ceiling. Carefully turn the blades slowly by hand to check the remaining blades. If the blade is not in alignment, the blade holder may be gently bent up or down to be in line with the other blades.

After following all the steps and if the wobbling problem is not solved, a dynamic balancing needs to be done by balancing kit. Follow the procedure listed below:

- Turn the fan on and adjust the speed control (usually high speed) setting to the speed which creates the greatest wobble.
- Turn the fan off. Select one blade and place the balance clip on it, halfway between the blade holder and the blade tip on the rear edge of the blade.
- Turn the fan on. Watch to see if the wobble is improved or worsened. Turn the fan off again and move the clip to another blade and test again. Repeat this process with all blades and then note the blade which is the most improved.
- Move the clip back to the blade which showed the most improvement. Move the clip inward and outward on this blade and operate the fan to find the position where the clip gives the most improvement.
- Next remove the clip and install a balancing weight to the top of the blade along the centerline near the point where the clip was positioned. Use a sharp knife or razor to separate the weights.

Caution: Stay clear of the blades. If the clip, for any reason, is not secure, injury could result .