

Uttermost

Assembly Instruction ITEM#23000

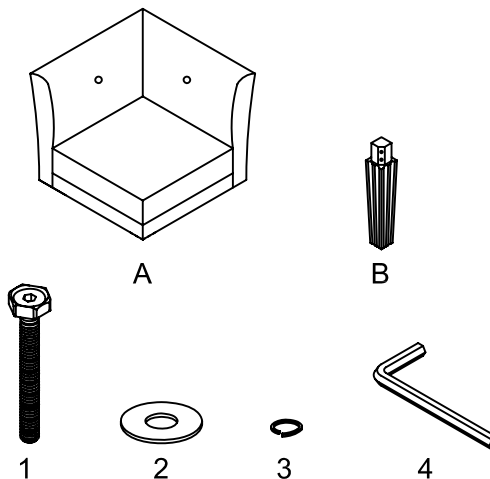
UNPACK CARTON ON A SOFT.SMOOTH SURFACE-INVENTORY ALL PARTS.

Component List:

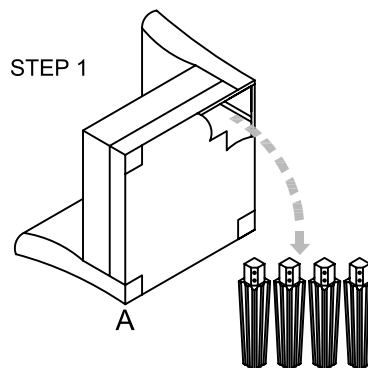
- A.Chair..... 1pc.
- B.Leg..... 4pcs.

Component List:

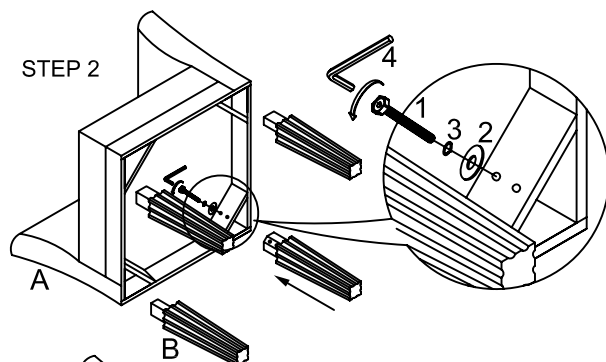
- 1.Bolt..... 8pcs.
- 2.Flat Washer..... 8pcs.
- 3.Spring Washer.... 8pcs.
- 4. Wrench..... 1pcs.



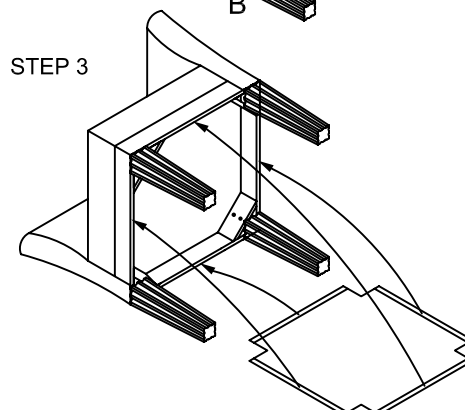
Step 1. Put the **Chair(A)** on a soft, clean place as shown. Open the dust cloth to get the **Legs(B)** out as shown.



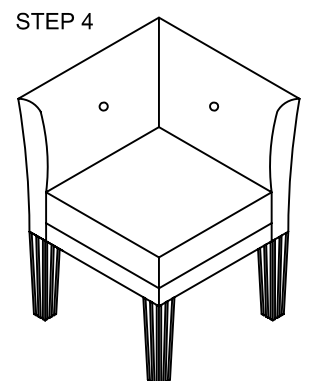
Step 2. Assemble the **Legs(B)** to the **Chair(A)** using **Flat Washers(2)**, **Spring Washers(3)**, **Bolt(1)** and **Wrench(4)**.



Step 3. Stick the dust cloth onto the **Chair(A)** as shown.



Step 4. Turn **Chair (A)** upright and adjust the levelers on the bottom of the legs to make the chair balanced.



Assembly is complete now.
Thank you for your purchase.