

INSTALLATION INSTRUCTIONS

Model # 9181-PL/9182-PL

READ AND SAVE THESE INSTRUCTIONS

WARNING! SHUT POWER OFF AT FUSE OR CIRCUIT BREAKER.

AVERTISSEMENT! COUPER LE COURANT AU NIVEAU DES FUSIBLES OU DU DISJONCTEUR.

1. Shut off power at the circuit breaker and remove old fixture including mounting hardware.
 2. Carefully unpack your new fixture and lay out all the parts in a clear area. Take care not to misplace any small parts necessary for installation.
 3. Pull black and white wires out of electrical outlet box (A).
 4. Thread the two studs (B) into the pre-drilled holes in the circular strap (C) spaced the same distance apart as the holes in the back plate (H), then tighten with the nut (E).
 5. Attach Circular Strap (C) using Outlet Box Screws (F) to the outlet box (A) (Fig 1).
 6. Connect the electrical wires as shown in Fig.2. Making sure that all wire connectors are secured. If your outlet box has a ground wire (green or bare copper), connect the fixture's Ground wire to it. Otherwise, connect the fixture's Ground wire directly to the circular strap using the Green Screw (D) provided.
 7. To prevent moisture from entering the outlet box (A) and causing a short, use clear silicone Sealant to outline the outside of fixture back plate (H) where it meets the wall leaving a space at bottom to allow moisture a means to escape.
 8. Place the back plate (H) into stud (B) and secure it tightly against the wall using cap nut (G). (Fig 1)
 9. Unscrew the screws (J) with the tool (I) included, move the cage (K) to install the light bulbs in accordance with the fixture specification.
 10. The ballast in each of these models can be replaced by a qualified electrician without cutting of wires and without damage to the housing, trim, decorative elements or carpentry to which the fixture is attached. See Fig.3 for more detail.
 11. Replace the cage (K) assembly and secure with the screws (J) using the tool (I) included.
 12. This fixture is ETL Listed for Wet Location applications.
 13. Contains Mercury (HG) Dispose of according to Local, State and Federal Law. (www.epa.gov/bulbrecycling).
- Your installation is now complete. Return power to the outlet box and test the fixture.

Fig. 1

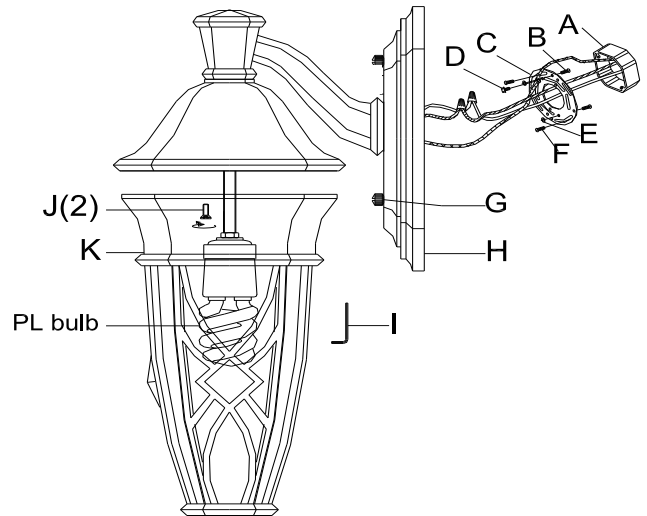


Fig.2

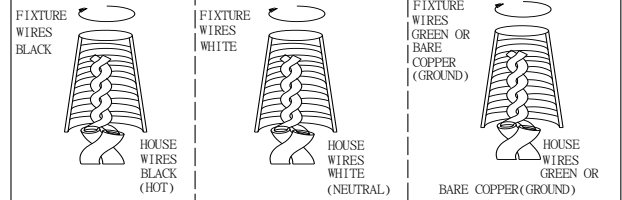
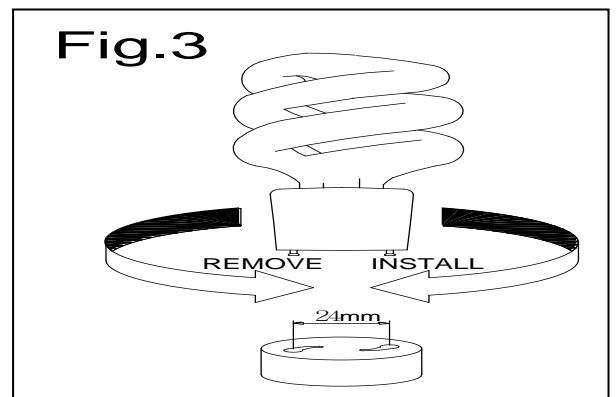


Fig.3



U.S. Patent: D588,294

This product is protected by United States Federal and/or State Law, including Patent and/or Copyright laws.



“CAUTION-RISK OF FIRE CONSULT A QUALIFIED ELECTRICIAN TO ENSURE CORRECT BRANCH CIRCUIT CONDUCTOR”

ATTENTION – RISQUE D’INCENDIE, CONSULTER UN ÉLECTRICIEN QUALIFIÉ POUR VOUS ASSURER QUE LES CONDUCTEURS DE LA DÉRIVATION SONT ADÉQUATS.