

# INSTALLATION INSTRUCTIONS

Model # 9149

READ AND SAVE THESE INSTRUCTIONS

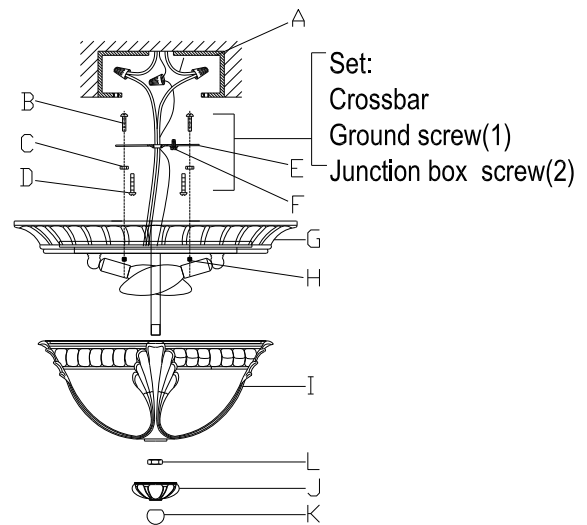
**WARNING! SHUT POWER OFF AT FUSE OR CIRCUIT BREAKER.**

**AVERTISSEMENT! COUPER LE COURANT AU NIVEAU DES FUSIBLES OU DU DISJONCTEUR.**

## MOUNTING THE FIXTURE (Fig. 1)

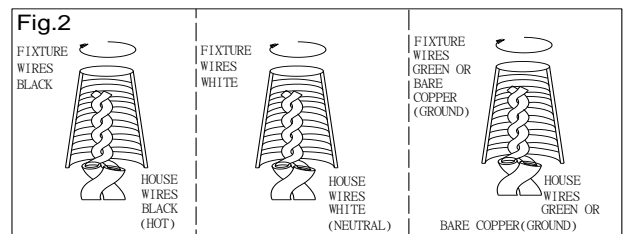
1. Shut off power at the circuit breaker (avertissement! couper le courant au niveau des fusibles ou du disjoncteur) and remove the old fixture including the mounting hardware.
2. Carefully unpack your new fixture and lay out all the parts in a clear area. Take care not to misplace any small parts necessary for installation.
3. Unscrew the finial (K) and the nut (L), remove the bottom holder (J) and the cage (I).
4. Thread the two studs (B) into the pre-drilled holes in the crossbar (E) (Part#A-010) spaced the same distance apart as the holes in the canopy (G), and then tighten with the nuts (C). Note: The length of studs (B) into crossbar (E) may be adjusted if necessary.
5. Attach crossbar (E) (Part#A-010) using junction box screws (D) (Part#8/32"\*1"L) to the outlet box (A) (Fig 1).

Fig. 1



## CONNECTING THE WIRES (Fig. 2)

6. Connect the electrical wires as shown in Fig.2. making sure that all wire connectors are secured. If your outlet box has a ground wire (green or bare copper), connect the fixture's ground wire to it. Otherwise, connect the fixture's ground wire directly to the crossbar using the green screw (F) (Part#8/32"\*1/3"L) provided.



## COMPLETING THE INSTALLATION (Fig. 1)

7. Align canopy (G) onto stud (B) and secure with cap nuts (H). (Fig 1)
8. Install 2X60W/E12 bulbs (no bulb included) in accordance with the fixture specification **—DO NOT EXCEED THE MAXIMUM WATTAGE RATING! (NE PAS DEPASSER LA PUISSANCE NOMINALE MAXIMALE!)**
9. Replace the cage (I) and secure with the nut (L), and replace the bottom holder (J), secure with the finial (K).

Your installation is now complete. Return power to the outlet box and test the fixture.



**“CAUTION-RISK OF FIRE CONSULT A QUALIFIED ELECTRICIAN TO ENSURE CORRECT BRANCH CIRCUIT CONDUCTOR”**

**ATTENTION – RISQUE D'INCENDIE, CONSULTER UN ÉLECTRICIEN QUALIFIÉ POUR VOUS ASSURER QUE LES CONDUCTEURS DE LA DÉRIVATION SONT ADEQUATS.**

U.S. Patent: D515,237

This product is protected by United States Federal and/or State Law, including Patent and/or Copyright laws.