

INSTALLATION INSTRUCTIONS

Model # 8201-PL/8202-PL

READ AND SAVE THESE INSTRUCTIONS

WARNING! SHUT POWER OFF AT FUSE OR CIRCUIT BREAKER.

AVERTISSEMENT! COUPER LE COURANT AU NIVEAU DES FUSIBLES OU DU DISJONCTEUR.

HANGING THE FIXTURE (Fig. 1)

1. Shut off power at the circuit breaker and remove the old fixture including the mounting hardware.
2. Carefully unpack your new fixture and lay out all the parts in a clear area. Take care not to misplace any small parts necessary for installation.
3. Thread the two studs (B) into the pre-drilled holes in the cross bar (C) spaced the same distance apart as the holes in the back plate (H), then tighten with hex nuts (E). The length of studs (B) into crossbar (C) may be adjusted if necessary.
4. Attach cross bar (C) using outlet box screws (F) to the outlet box (A), (Fig 1).

CONNECTING THE WIRES (Fig. 2)

5. Connect the electrical wires as shown in Fig.2. making sure that all wire connectors are secured. If your outlet box has a ground wire (green or bare copper), connect the fixture's ground wire to it. Otherwise, connect the fixture's ground wire directly to the cross bar (C) using the green screw (D) provided.

COMPLETING THE INSTALLATION (Fig. 1)

6. To prevent moisture from entering the outlet box (A) and causing a short, use clear silicone Sealant to outline the outside of fixture back plate (H) where it meets the wall leaving a space at bottom to allow moisture a means to escape.
7. Align back plate (H) onto stud (B) and secure with cap nuts (G). (Fig 1)
8. Remove screws (I) to remove cage (J).
9. Install 1x13 watt PL bulb in accordance with the fixture specification—**DO NOT EXCEED THE MAXIMUM WATTAGE RATING! (NE PAS DEPASSER LA PUISSANCE NOMINALE MAXIMALE!)**
10. Insert the finial (N) into the bottom of cage (J), place the key washer (L) through the nipple (M) and secure with the hex nut (K), then replace the cage (J) to the top cover and secure with screws (I).
11. This fixture is ETL Listed for Wet Location applications.
12. Contains Mercury (HG) Dispose of according to Local, State and Federal Law. (www.epa.gov/bulbrecycling).

Your installation is now complete. Return power and test the fixture.

Fig. 1

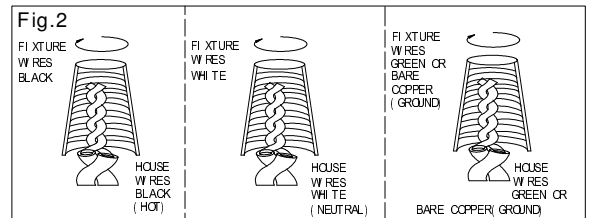
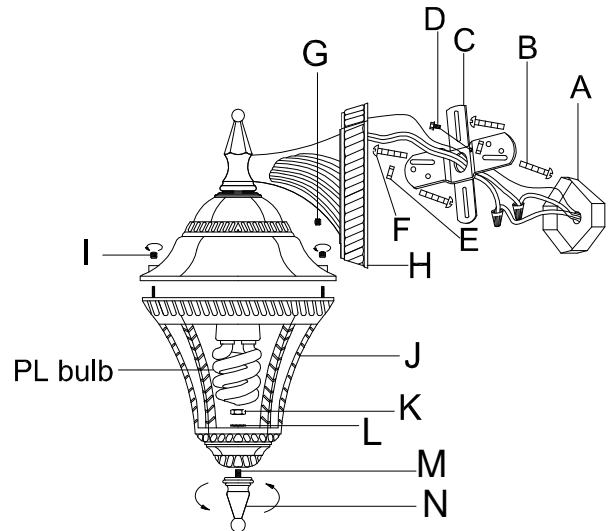
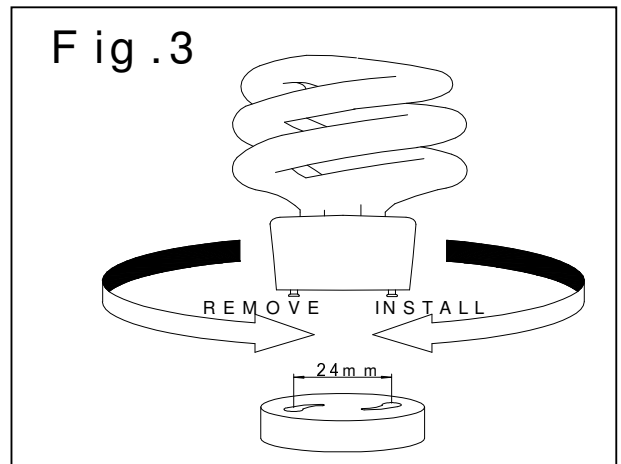


Fig. 3



“CAUTION-RISK OF FIRE CONSULT A QUALIFIED ELECTRICIAN TO ENSURE CORRECT BRANCH CIRCUIT CONDUCTOR”

ATTENTION - RISQUE D'INCENDIE. CONSULTER UN ÉLECTRICIEN QUALIFIÉ POUR VOUS ASSURER QUE LES CONDUCTEURS DE LA DÉRIVATION SONT ADÉQUATS.



U.S. Patents : D510,453; D512,793; D518,224

This product is protected by United States Federal and/or State Law, including Patent and/or Copyright laws.