



GENERAL PRODUCT INFORMATION:



This product can mount to either a 4" square electrical box with round plaster ring or an octagon electrical box.

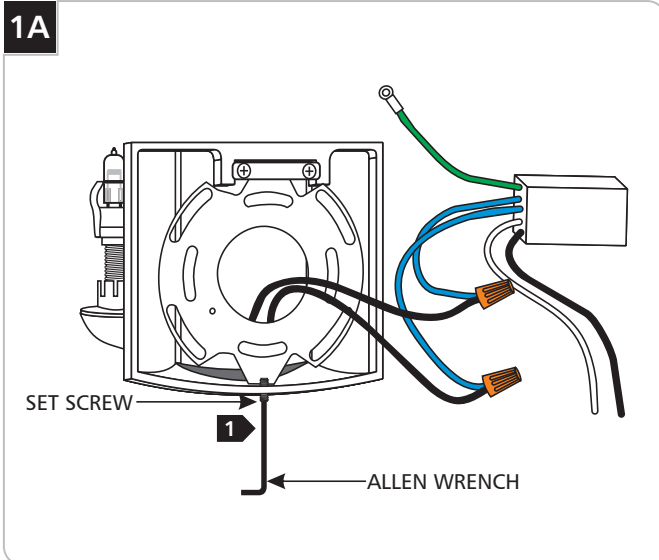
This product is suitable for indoor dry locations only.

This product can be dimmed with a standard incandescent dimmer.

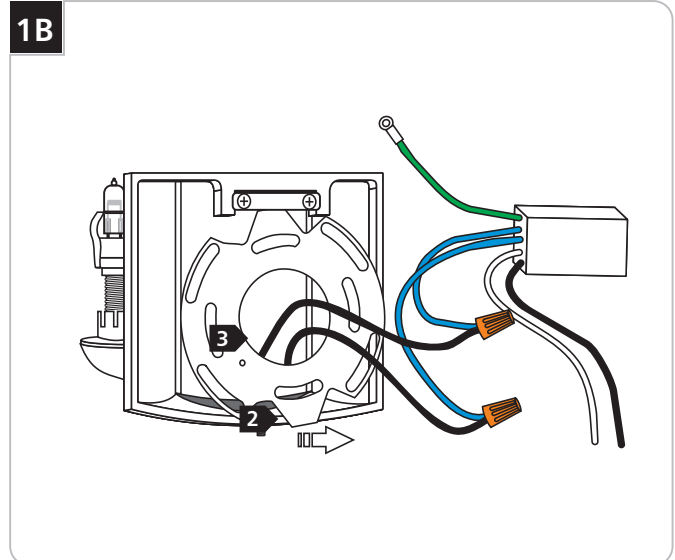
CAUTION—RISK OF FIRE

This product requires installation by a qualified electrician. Before installing be sure to read all instructions and **TURN THE POWER TO THE ELECTRICAL BOX OFF.**

Remove the Mounting Plate from the Sconce Base



1 With the Allen wrench provided, back out (do not fully remove) the set screw at the base of the sconce.

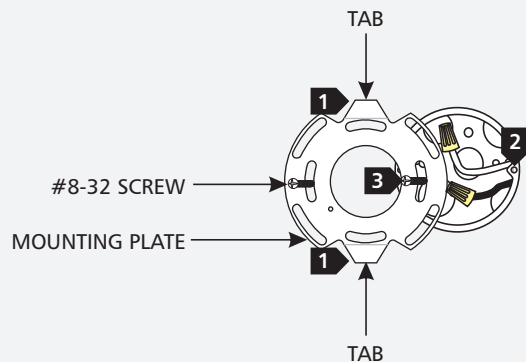


2 Loosen the sconce mounting plate by pulling the bottom of the mounting plate out and then down.

3 Remove the mounting plate by pushing the transformer and wires through the mounting plate center hole.

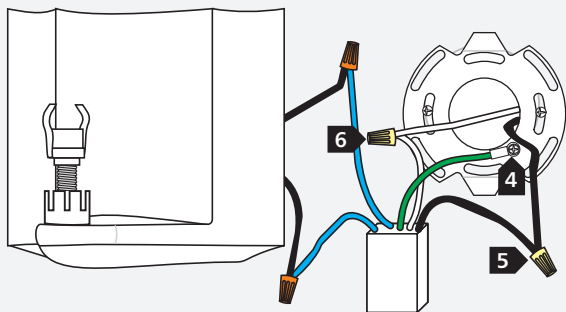
Mount the Sconce to the Electrical Box

2A



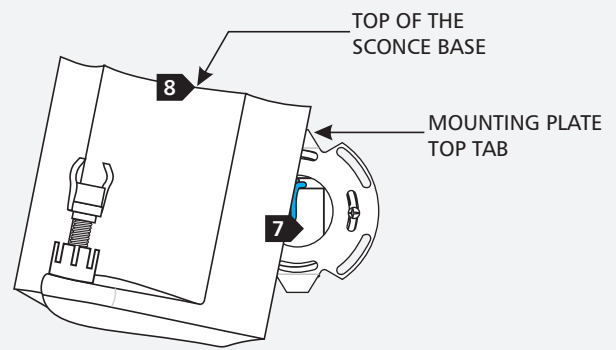
- 1 Make sure the two tabs on the mounting plate are positioned at the top and bottom of the plate.
- 2 Line up two mounting plate slots with the two electrical box holes.
- 3 Level the mounting plate vertically and secure it to the electrical box with the two #8-32 screws provided.

2B



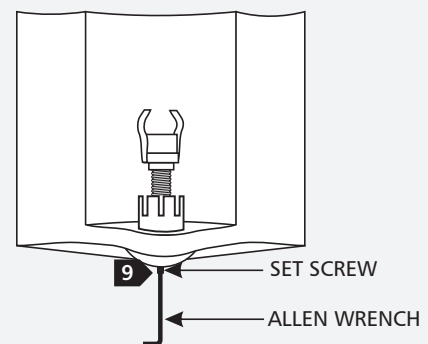
- 4 Connect the green ground wire terminal ring to the mounting plate with provided screw. Make sure that the mounting plate is grounded in accordance with local electrical codes.
- 5 Connect the black transformer wire to the hot power line wire with a wire nut.
- 6 Connect the white transformer wire to the neutral power line wire with a wire nut.

2C



- 7 Place the transformer and all wires properly inside the electrical box.
- 8 Hook the top of the sconce base over the mounting plate top tab.

2D

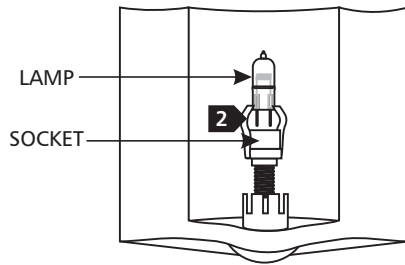


- 9 Line up the sconce on the wall and then secure the sconce to the mounting plate by tightening the set screw at the base of the sconce.

How to Install the Glass Shade & Lamp

CAUTION: To reduce the risk of a burn or electric shock during relamping, disconnect the power to the fixture by turning the wall switch off.

3A



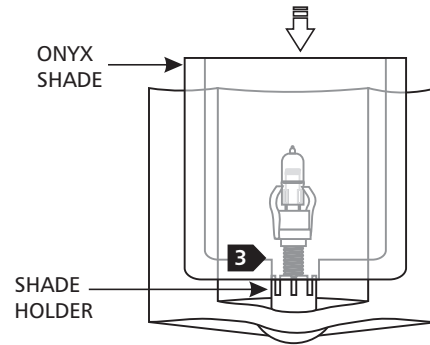
NOTE: Use only your fingers and a soft cloth to replace the lamp.

Use **MAX 50 Watt, Bi-Pin Halogen Lamp.**



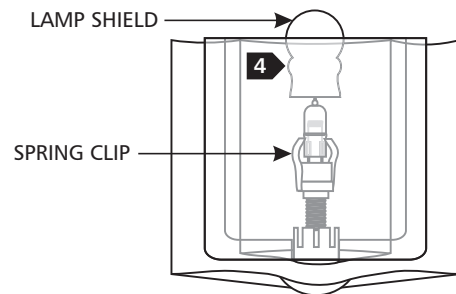
- 1** Handle the lamp with a soft cloth to prevent the natural oils on the fingertips from collecting on the lamp. This will help extend the life of the lamp.
- 2** Push the lamp pins firmly all the way into the socket holes.

3B



- 3** Utilizing the small opening of the onyx shade, push the onyx shade completely onto the shade holder.

3C



- 4** Push the lamp shield onto the spring clip.

NOTE: When replacing the lamp, just remove the lamp shield and the lamp. Do not remove the onyx shade.

IMPORTANT SAFETY INSTRUCTIONS

To reduce the risk of fire, electrical shock, exposure to excessive UV radiation, or injury to person:

- Use this fixture indoors only.
- Do not look directly at the lighted lamp.
- Do not remain in light if skin feels warm.
- Risk of fire: Use only the type of lamp and maximum wattage indicated in this instruction manual.
- Never cover the halogen lamp with anything other than a Tech Lighting lamp shield and never place flammable material close to your fixture.
- Never turn the fixture on and off by connecting and disconnecting the halogen lamp.
- Do not touch the fixture shades or lamp shield while the fixture is on. These surfaces may be HOT.

Halogen Lamp General Information

- A new halogen lamp may smoke slightly when it is used for the first time. This is perfectly normal; the protective coating is simply being vaporized.

Two Tips For Prolonging Halogen Lamp Life

- First avoid touching the lamp with bare hands during installation. Any contaminant, even the oil from your hands can deteriorate the lamp. Rubbing alcohol can be used to remove any contaminant.
- Second, do not run the lamps at full power when you do not need to. However, if dimming the fixture for an extended period of time, occasionally bring the light up to full brightness for a few minutes to complete the halogen cycle.

SAVE THESE INSTRUCTIONS!



TECH LIGHTING®

7400 Linder Ave, Skokie, IL 60077

847.410.4400

www.techlighting.com

© 2008 Tech Lighting, L.L.C. All rights reserved. The "Tech Lighting" graphic is a registered trademark of Tech Lighting, L.L.C. Tech Lighting reserves the right to change specifications for product improvements without notification.

A Generation Brands Company