

Cirque Large (Compact Fluorescent)

700CQL_-CF

1.4



GENERAL PRODUCT INFORMATION:

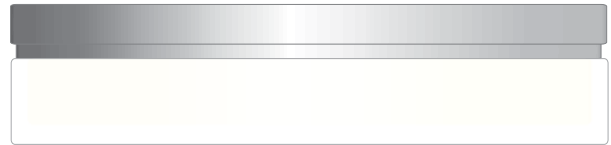


This product can mount to either a 4" square electrical box with round plaster ring or an octagon electrical box.

This product is suitable for damp or wet locations.

This fixture may be ceiling or wall mounted.

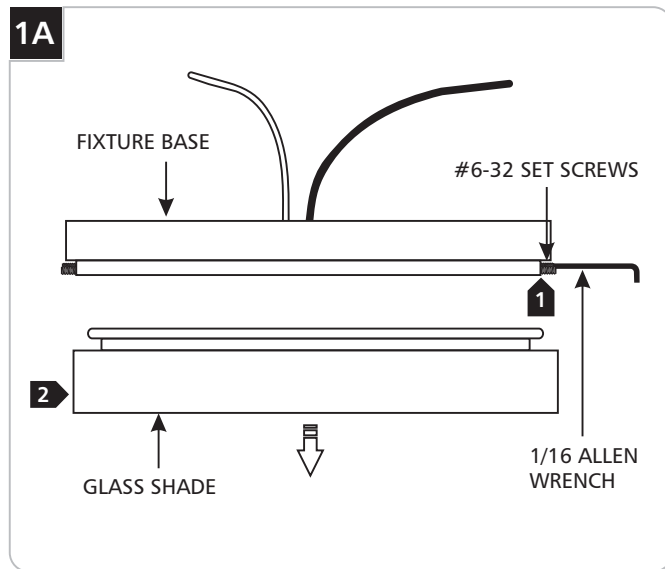
This instruction shows a typical installation.



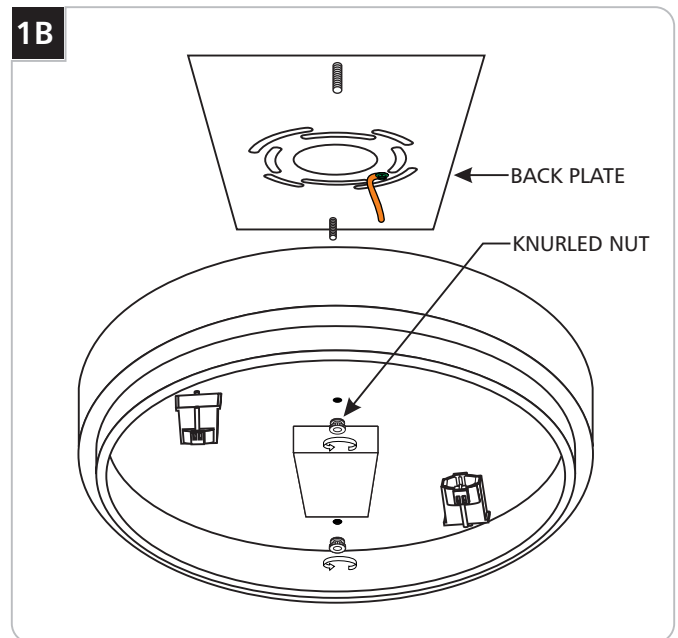
CAUTION—RISK OF FIRE

This product requires installation by a qualified electrician. Before installing be sure to read all instructions and **TURN OFF POWER TO THE ELECTRICAL BOX.**

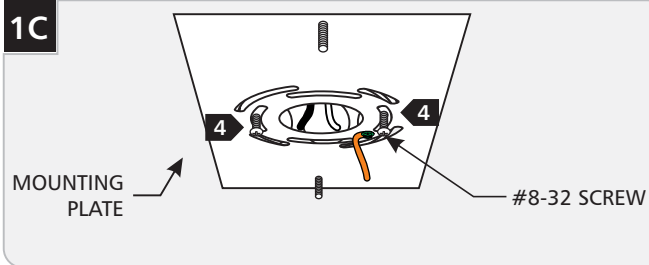
Install the Fixture



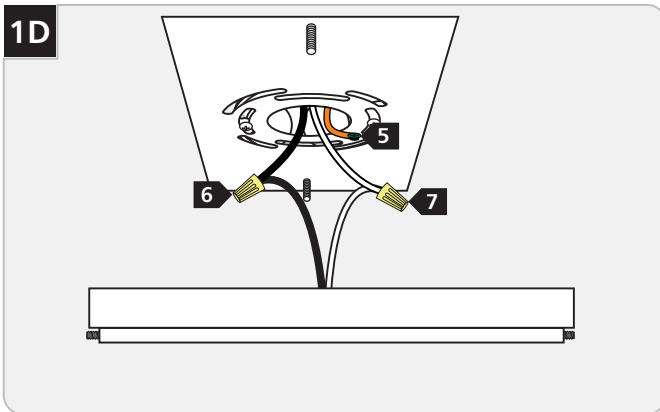
- 1** While supporting the glass shade, loosen (**Do Not Remove**) the four #6-32 set screws on mounting plate with the 1/16 Allen wrench.
- 2** Carefully remove the glass out of the fixture base.



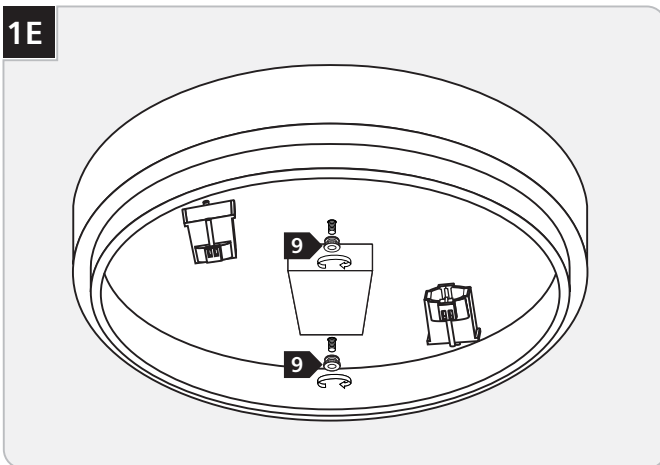
- 3** Remove the back plate from the assembly by unscrewing the two knurled nuts.



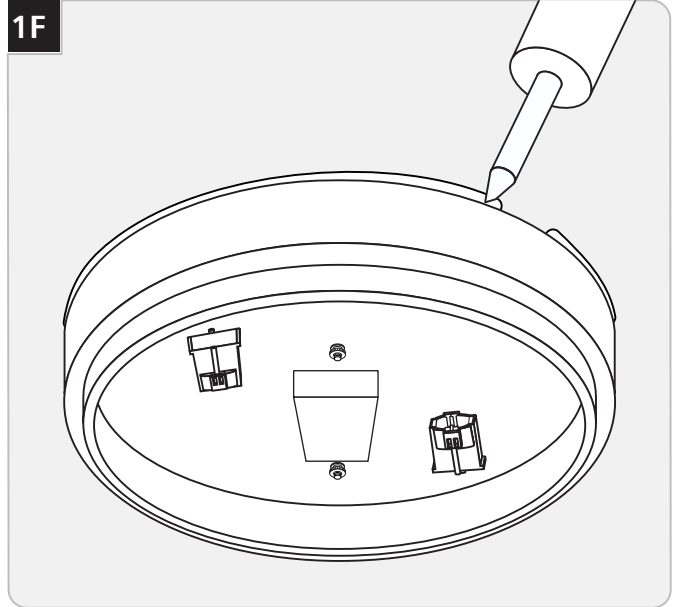
- 4** Secure the mounting plate to the electrical box with 2 #8-32 screws.



- 5** Ground the mounting plate in accordance with local electrical codes.
- 6** Connect the black fixture wire to the hot power line wire with a wire nut.
- 7** Connect the white fixture wire to the neutral power line wire with a wire nut.



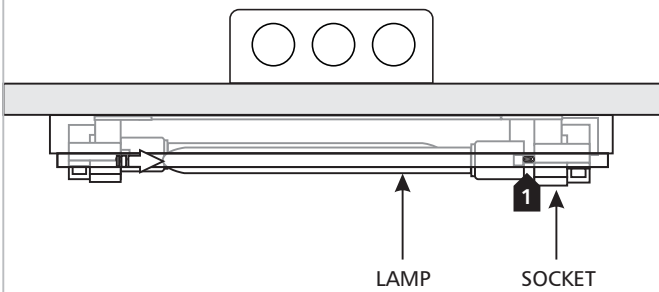
- 8** Place all wires and wire nut connections into the electrical box.
- 9** Mount the fixture base to the ceiling by reinstalling it onto the mounting plate and secure it tightly with the knurled nuts.



- 10** For wet location installation, caulk around the mounting base with waterproof construction sealant.


Install the Lamp and Shade

2A



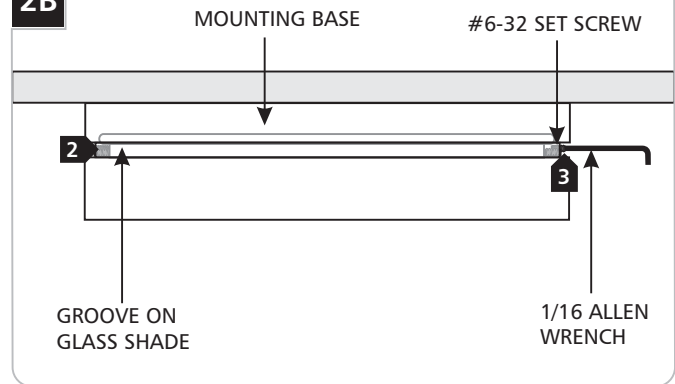
CAUTION: To reduce the risk of a burn or electric shock during relamping, disconnect the power to the fixture.

NOTE: Use only your fingers to install the lamps.

Max 13 Watt 2GX7 Base Twin Tube Compact Fluorescent Lamp for each socket. 

- 1 Push the lamp completely into the socket holes.

2B



- 2 Place the glass shade into the fixture base until the grooved section of the glass shade is completely inside.
- 3 Hold the glass shade in place and tighten all four #6-32 set screws with the 1/16 Allen wrench to lock the glass shade in place.

NOTE: To replace the lamps, reverse section 2.

SAVE THESE INSTRUCTIONS!



TECH LIGHTING®

7400 Linder Ave, Skokie, IL 60077

847.410.4400

www.techlighting.com

© 2012 Tech Lighting, L.L.C. All rights reserved. The "Tech Lighting" graphic is a registered trademark of Tech Lighting, L.L.C. Tech Lighting reserves the right to change specifications for product improvements without notification.

A Generation Brands Company