



GENERAL PRODUCT INFORMATION:



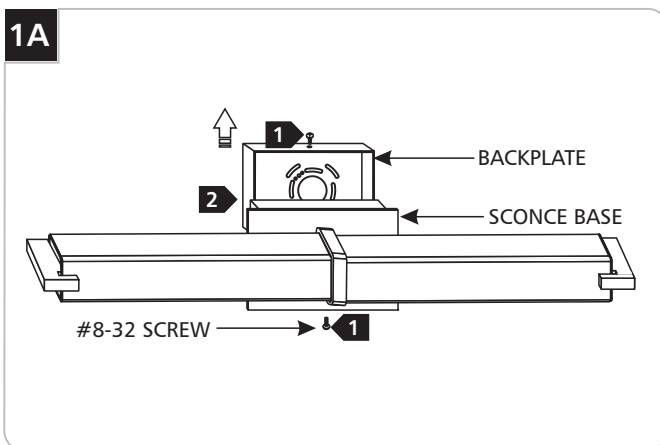
This product can mount to either a 4" square electrical box with round plaster ring or an octagon electrical box.

This instruction shows a typical installation.

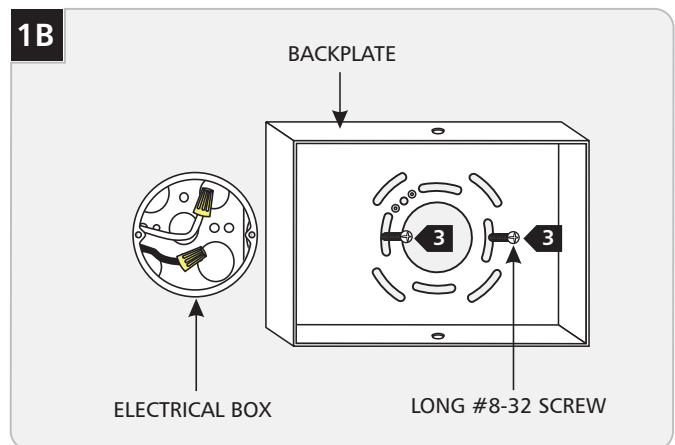
CAUTION—RISK OF FIRE

This product requires installation by a qualified electrician. Before installing be sure to read all instructions and **DISCONNECT POWER TO THE ELECTRICAL BOX.**

Install the Backplate

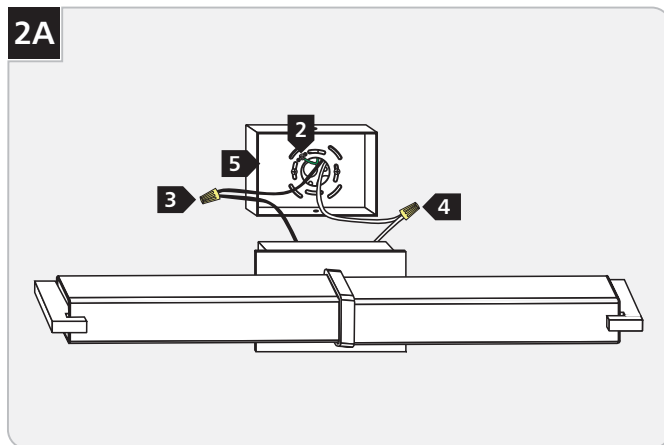


- 1** Remove the two #8-32 screws on the backplate with a Phillips head screwdriver.
- 2** Remove the backplate from the scence base.

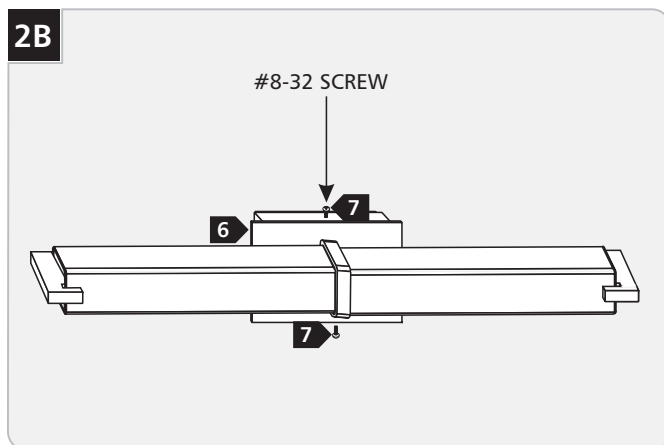


- 3** Mount the backplate to the electrical box with two long #8-32 screws.

Connect the Power

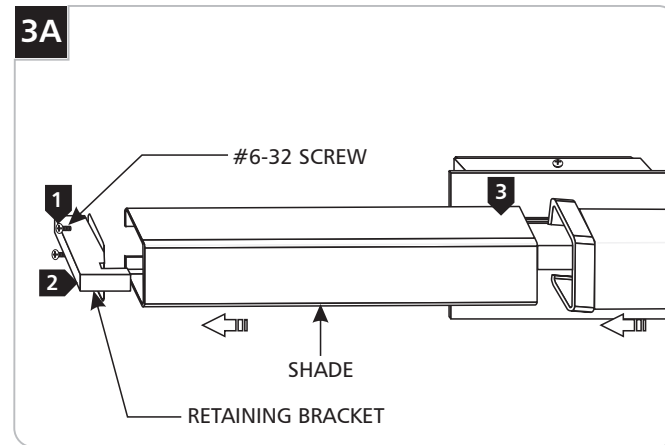


- 1 Turn the power to the electrical box off.
- 2 Make sure that the backplate is grounded in accordance with local electrical codes.
- 3 Connect the black ballast wire(s) to the hot power line wire with a wire nut.
- 4 Connect the white ballast wire(s) to the neutral power line wire with a wire nut.
- 5 Properly place all wires into the backplate.



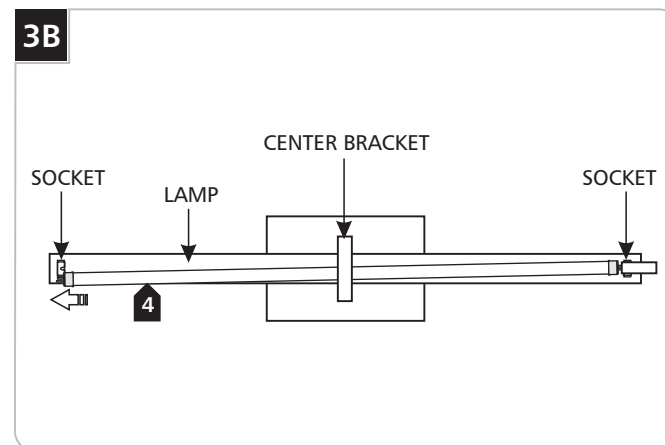
- 6 Place the sconce base onto the backplate and align the holes.
- 7 Replace and tighten the #8-32 screws.

Install the Lamp



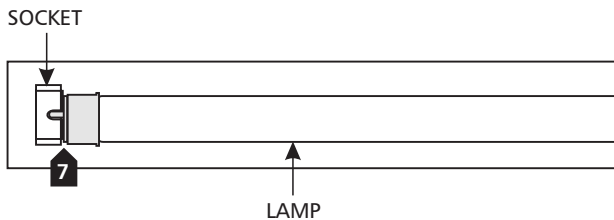
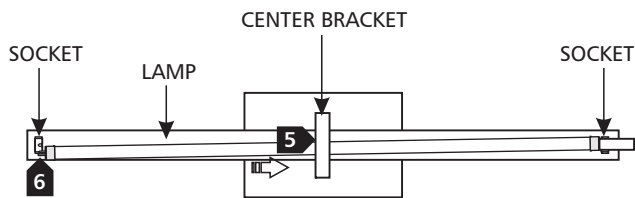
CAUTION: To reduce the risk of a burn or electric shock during relamping, disconnect the power to the fixture by turning the wall switch off.

- 1 Remove the two #6-32 screws on side of one retaining bracket.
- 2 Remove the retaining bracket.
- 3 Carefully slide both shades out.



- 4 Rotate the lamp and carefully slide it out from the sockets and the center bracket.

3C

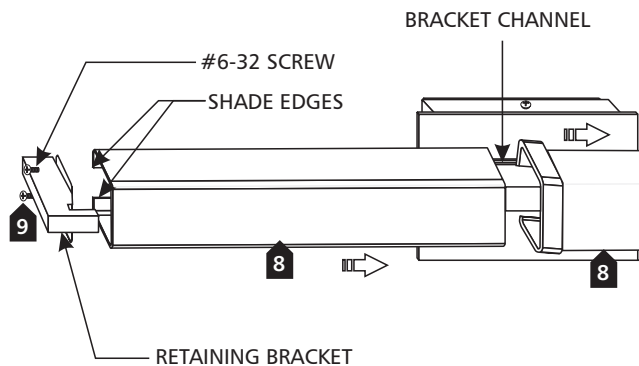


Use **MAX 24 WATT** type T5 High Output linear fluorescent lamp.



- 5** Slide the new lamp through the center bracket.
- 6** Align the lamp pins with socket slots.
- 7** Push the pins all the way into the socket slots and rotate the lamp until it snaps into the place.

3D



- 8** Carefully slide the shade edges into the bracket channels.
- 9** After placing both shades in place, replace the retaining bracket and tighten the two #6-32 screws.

SAVE THESE INSTRUCTIONS!



7400 Linder Ave, Skokie, IL 60077
847.410.4400

www.techlighting.com

© 2012 Tech Lighting, L.L.C. All rights reserved. The "Tech Lighting" graphic is a registered trademark of Tech Lighting, L.L.C. Tech Lighting reserves the right to change specifications for product improvements without notification.
A Generation Brands Company