



**GENERAL PRODUCT INFORMATION:**



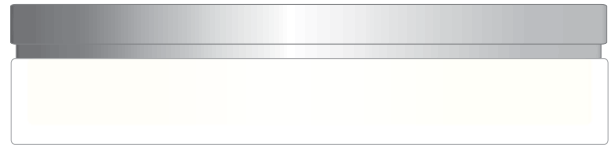
This product can mount to either a 4" square electrical box with round plaster ring or an octagon electrical box.

This product is suitable for damp or wet locations.

This product can be dimmed with a low-voltage electronic dimmer.

This fixture may be ceiling or wall mounted.

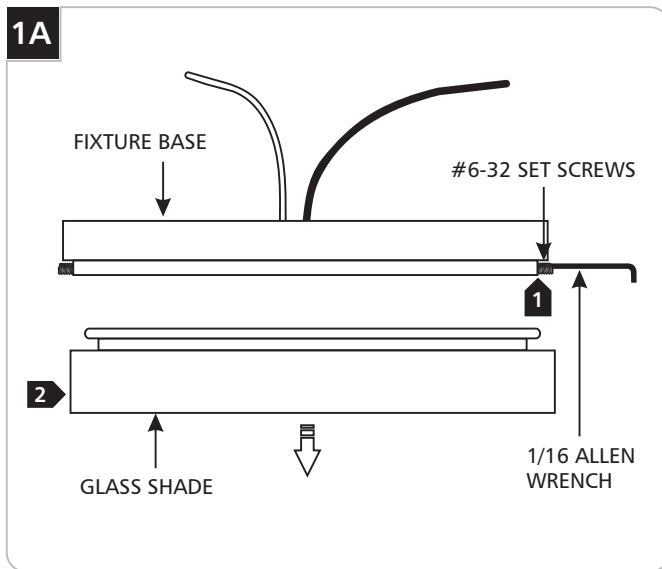
This instruction shows a typical installation.



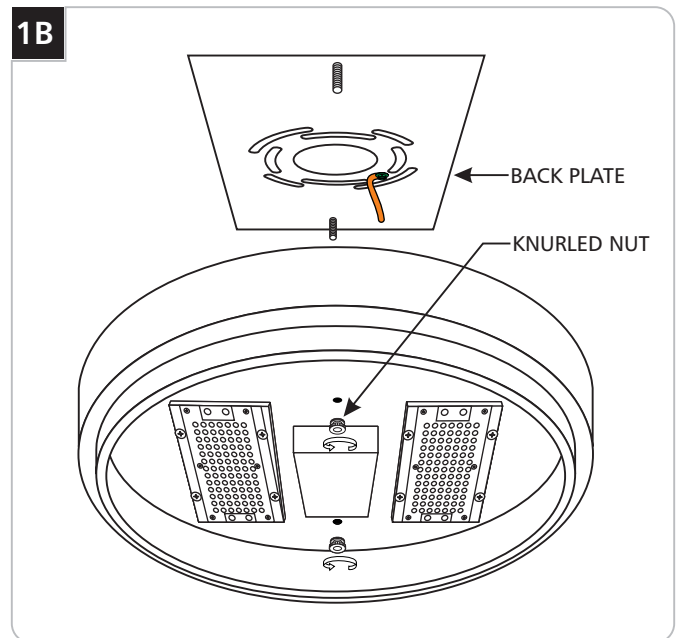
**CAUTION — RISK OF FIRE**

This product requires installation by a qualified electrician. Before installing be sure to read all instructions and **TURN OFF POWER TO THE ELECTRICAL BOX.**

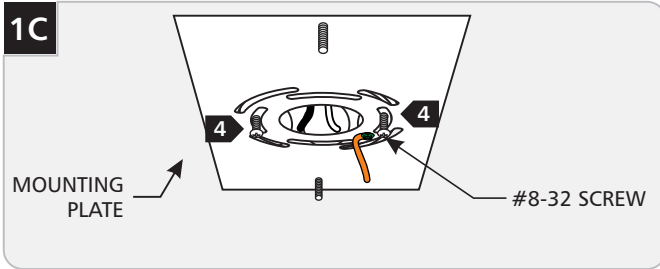
**Install the Fixture**



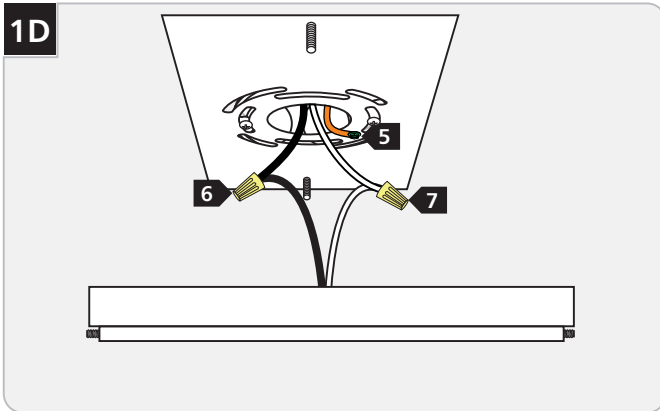
- 1** While supporting the glass shade, loosen (**Do Not Remove**) the four #6-32 set screws on mounting plate with the 1/16 Allen wrench.
- 2** Carefully remove the glass out of the fixture base.



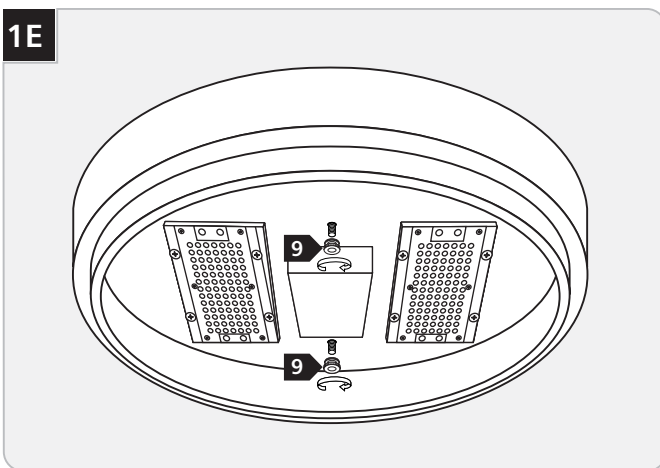
- 3** Remove the back plate from the assembly by unscrewing the two knurled nuts.



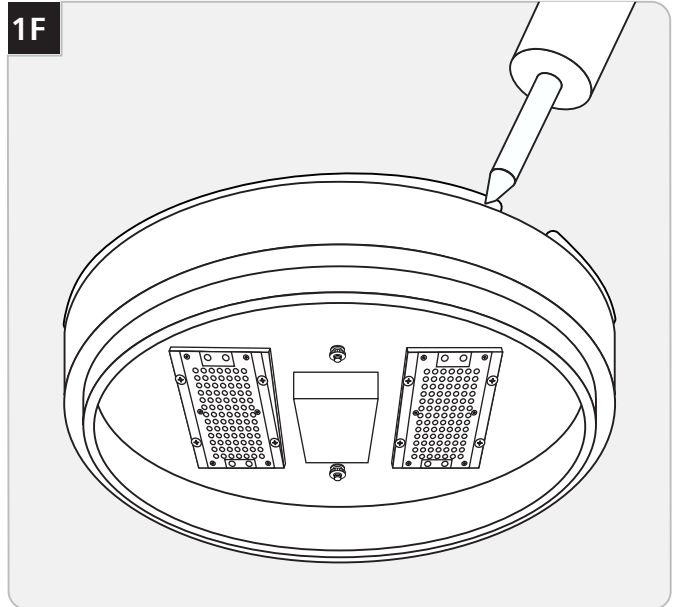
- 4** Secure the mounting plate to the electrical box with 2 #8-32 screws.



- 5** Ground the mounting plate in accordance with local electrical codes.
- 6** Connect the black fixture wire to the hot power line wire with a wire nut.
- 7** Connect the white fixture wire to the neutral power line wire with a wire nut.

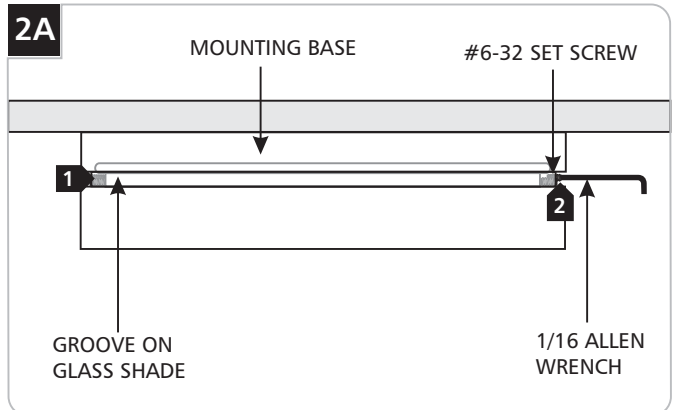


- 8** Place all wires and wire nut connections into the electrical box.
- 9** Mount the fixture base to the ceiling by reinstalling it onto the mounting plate and secure it tightly with the knurled nuts.



- 10** For wet location installation, caulk around the mounting base with waterproof construction sealant.

## Install the Shade



- 1** Place the glass shade into the fixture base until the grooved section of the glass shade is completely inside.
- 2** Hold the glass shade in place and tighten all four #6-32 set screws with the 1/16 Allen wrench to lock the glass shade in place.

**SAVE THESE INSTRUCTIONS!**



**TECH LIGHTING®**

7400 Linder Ave, Skokie, IL 60077  
847.410.4400

[www.techlighting.com](http://www.techlighting.com)

© 2012 Tech Lighting, L.L.C. All rights reserved. The "Tech Lighting" graphic is a registered trademark of Tech Lighting, L.L.C. Tech Lighting reserves the right to change specifications for product improvements without notification.

A Generation Brands Company