

**Elton Head**



**DESCRIPTION**

Adjustable double head tilts and rotates infinitely. Integral louver lens holders can hold a single glass lens (sold separately) or an eggcrate louver (two included). Two low-voltage, MR16 lamps of up to 35 watts each (not included).

**SYSTEM**

Available for FreeJack, MonoRail, Two-Circuit MonoRail, and Wall MonoRail. For use on T-trak, order FreeJack version and T-trak FreeJack Connector (sold separately).

**INSTALLATION**

Socket terminates with FreeJack male connector, which may be installed into a system connector. Elements ordered with a system prefix include a connector for that system.

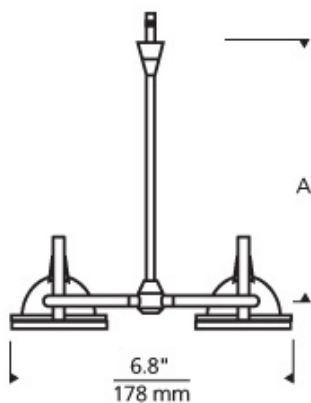
**ACCESSORIES & OPTICAL CONTROLS**

Colored Lens, Dichroic Lens, Diffuser Lens, Eggcrate Louver, Linear Spread Lens, Soft Focus Lens, UV Filter

**WEIGHT**

0.5lb / 0.23kg

**ORDERING INFORMATION**



700	SYSTEM	ELT	LENGTH	FINISH
	FJ	FREEJACK (MONO POINT)	03 3"	C CHROME
	MO	MONORAIL	06 6"	S SATIN NICKEL
	MO2	TWO-CIRCUIT MONORAIL	12 12"	
	WMO	WALL MONORAIL	18 18"	
			24 24"	



**TECH LIGHTING®**

7400 Linder Avenue T 847.410.4400  
 Skokie, Illinois 60077 F 847.410.4500

[www.techlighting.com](http://www.techlighting.com)

700 \_\_\_\_ ELT \_\_\_\_ \_\_\_\_

FIXTURE TYPE: \_\_\_\_\_

JOB NAME: \_\_\_\_\_

NOTES: \_\_\_\_\_

\_\_\_\_\_

\_\_\_\_\_

