

Sugar

700SUG_

1.4



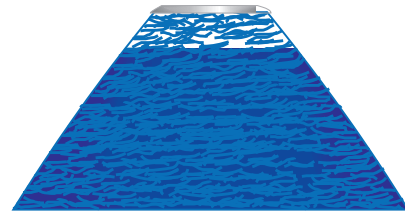
ACCESSORIES

GENERAL PRODUCT INFORMATION:

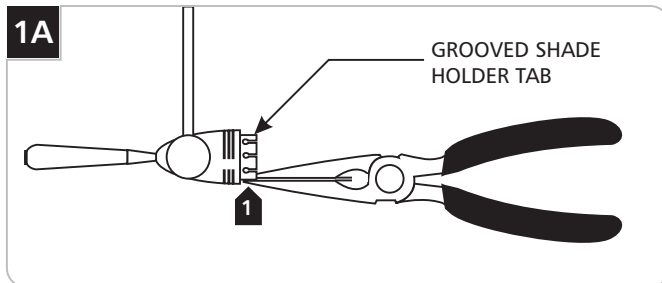


This product is suitable for indoor dry locations only.

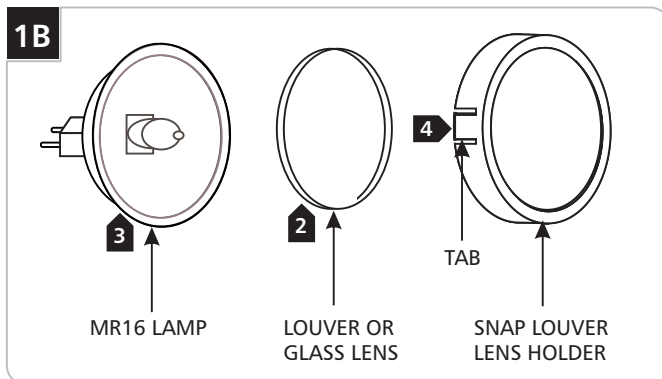
This product must be used with Tech Lighting systems only.



Installing the Sugar Accessory



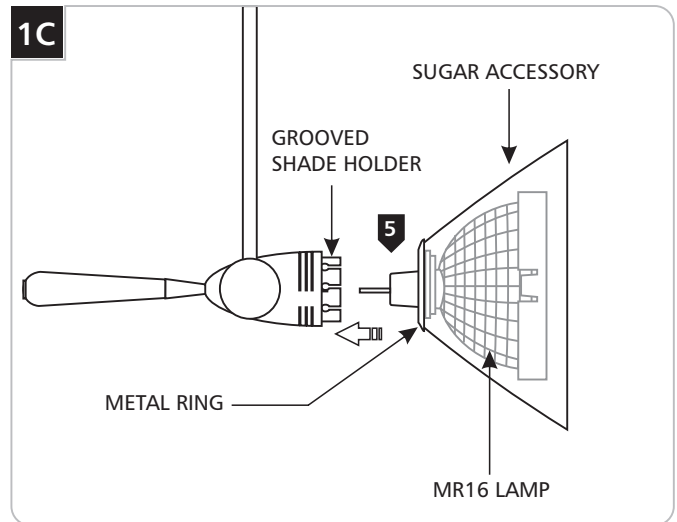
1 If the Sugar accessory fits tight onto the fixture, then carefully bend the grooved shade holder tabs in slightly with the needle-nose pliers. If it fits loose, then carefully bend the grooved shade holder tabs out slightly with the needle-nose pliers.



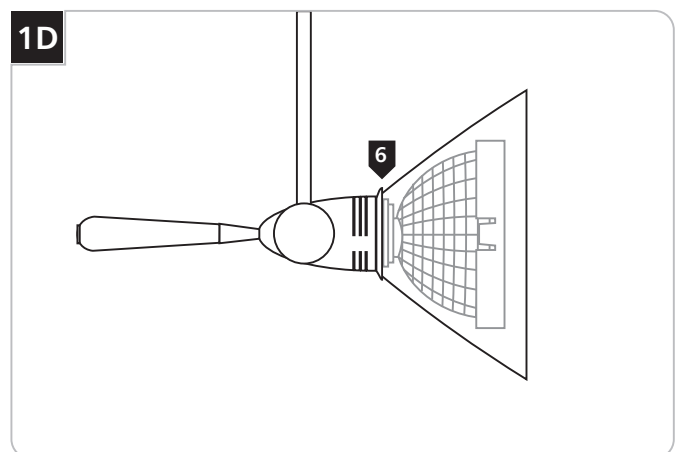
Use **MAX 50 Watt MR16 Front Cover Halogen Lamp.**



- 2** Place the louver or the glass lens (optional) into the Snap Louver Lens Holder.
- 3** Place the MR16 lamp into the Snap Louver Lens Holder.
- 4** Press the tabs on both sides of the Snap Louver Lens Holder against the MR16 lamp to keep it in the position.



5 Place the MR16 lamp into the Sugar accessory.



6 Hold the lamp against the glass with the thumb and push the lamp pins all the way into the socket holes; simultaneously push the Sugar accessory metal ring onto the grooved shade holder.

SAVE THESE INSTRUCTIONS!



7400 Linder Ave, Skokie, IL 60077
847.410.4400

www.techlighting.com

© 2008 Tech Lighting, L.L.C. All rights reserved. The "Tech Lighting" graphic is a registered trademark of Tech Lighting, L.L.C. Tech Lighting reserves the right to change specifications for product improvements without notification.
A Generation Brands Company