

CAUTION RISK OF FIRE. PLEASE KEEP AWAY FROM COMBUSTIBLE MATERIALS. 12V LAMPS MUST NOT BE USED IN A 24V SYSTEM. INSTALL CABLE SO THAT CAUTION PRINTED ON CABLE IS VISIBLE AFTER INSTALLATION AND ATTACH THE 24V CAUTION LABELS (SUPPLIED WITH THE 24V TRANSFORMER) ON OR ALONG THE TRACK EVERY 4 FT.

RISK OF FIRE: DO NOT REMOVE REFLECTOR.

**ACCENT LIGHT INSTALLATION**  
(USE ONLY WITH AMBIANCE 105° CABLE)

**WARNING:** Be sure the electricity to the system you are working on is turned off; either the fuse removed or the circuit breaker set at off.

**FOR YOUR SAFETY** HC-257

INSTALLATION AND SAFETY INSTRUCTIONS

INSTALLATION AND SAFETY INSTRUCTIONS

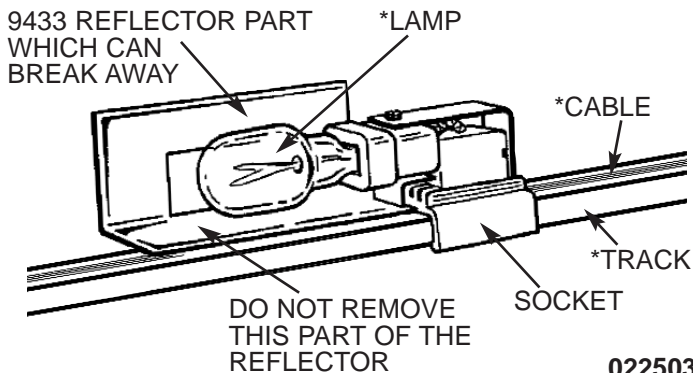
**FOR YOUR SAFETY** HC-257

**ACCENT LIGHT INSTALLATION**  
(USE ONLY WITH AMBIANCE 105° CABLE)

**TO INSTALL 9433 SOCKET**

**CAUTION:** Do not remove entire reflector, heat from lamps will damage cable

- A. Determine socket location and spacing, minimum 6" center to center.
- B. Install bulbs (not included), 18 watt maximum.
- C. Press socket straight down onto track and cable until socket snaps into place.
- D. Center of socket must not be closer than 1 1/2" to closed ends (wall surfaces, partitions).



\*NOT SUPPLIED

**WARNING:** Use of other manufacturers components will void warranty, U.L. listing and create a potential safety hazard.

CAUTION RISK OF FIRE. PLEASE KEEP AWAY FROM COMBUSTIBLE MATERIALS. 12V LAMPS MUST NOT BE USED IN A 24V SYSTEM. INSTALL CABLE SO THAT CAUTION PRINTED ON CABLE IS VISIBLE AFTER INSTALLATION AND ATTACH THE 24V CAUTION LABELS (SUPPLIED WITH THE 24V TRANSFORMER) ON OR ALONG THE TRACK EVERY 4 FT.

RISK OF FIRE: DO NOT REMOVE REFLECTOR.

**ACCENT LIGHT INSTALLATION**  
(USE ONLY WITH AMBIANCE 105° CABLE)

**WARNING:** Be sure the electricity to the system you are working on is turned off; either the fuse removed or the circuit breaker set at off.

**FOR YOUR SAFETY** HC-257

INSTALLATION AND SAFETY INSTRUCTIONS

INSTALLATION AND SAFETY INSTRUCTIONS

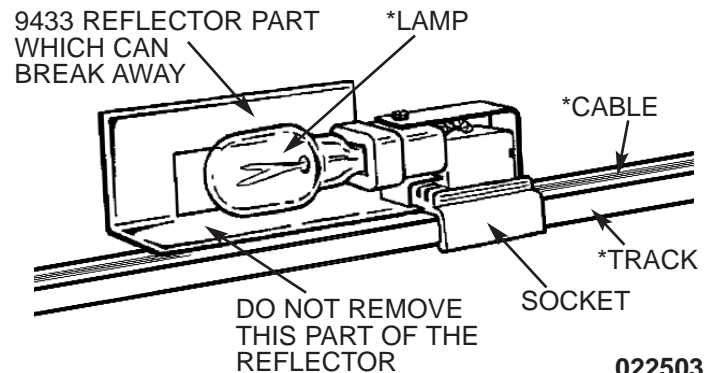
**FOR YOUR SAFETY** HC-257

**ACCENT LIGHT INSTALLATION**  
(USE ONLY WITH AMBIANCE 105° CABLE)

**TO INSTALL 9433 SOCKET**

**CAUTION:** Do not remove entire reflector, heat from lamps will damage cable

- A. Determine socket location and spacing, minimum 6" center to center.
- B. Install bulbs (not included), 18 watt maximum.
- C. Press socket straight down onto track and cable until socket snaps into place.
- D. Center of socket must not be closer than 1 1/2" to closed ends (wall surfaces, partitions).



\*NOT SUPPLIED

**WARNING:** Use of other manufacturers components will void warranty, U.L. listing and create a potential safety hazard.