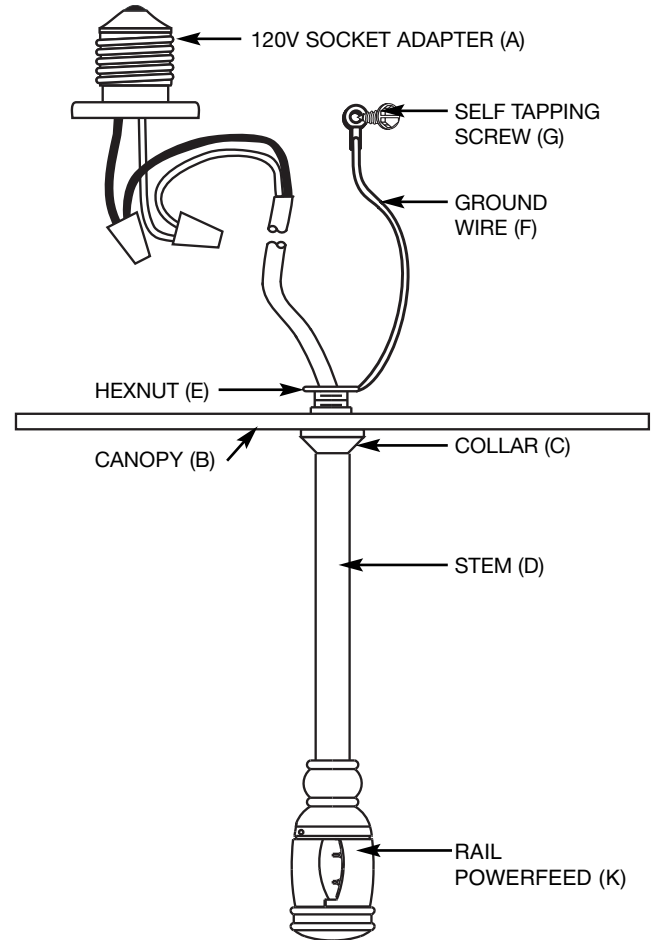


IMPORTANT SAFETY INSTRUCTIONS

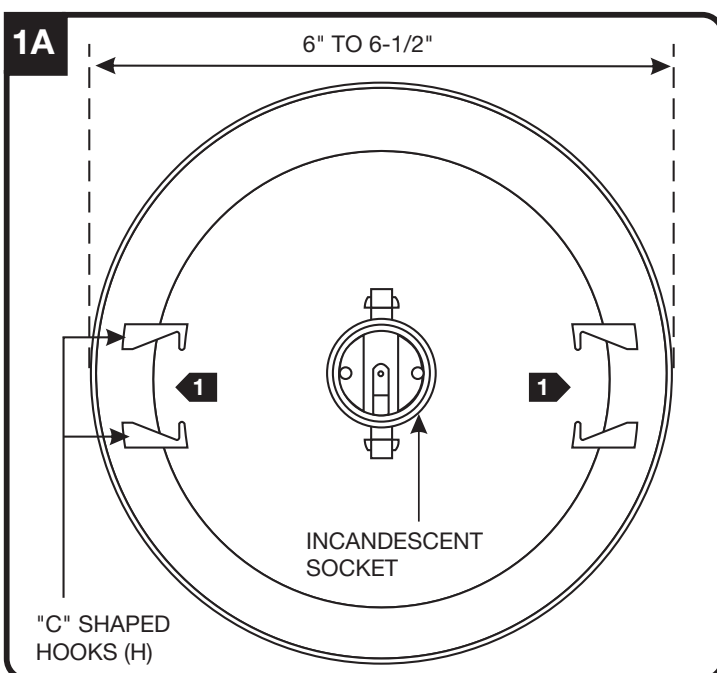
- Be sure the electricity to the system you are working on is turned off; either the fuse removed or the circuit breaker set at off.
- Use of other manufacturers components will void warranty, listing and create a potential safety hazard.
- If you are unclear as to how to proceed, contact a qualified electrician.
- For use with 120V Transitions track series by Sea Gull Lighting.
- Do not use this power feed adapter to supply more than 600w (5 amps) to a circuit.
- You don't need special tools to install this fixture.
- Be sure to follow the steps in the order given.
- Read instructions carefully.
- Save these instructions.

GENERAL PRODUCT INFORMATION:

- This product is suitable for indoor dry locations only.
- The Ambiance® recessed can adapter can be used with the following Down Lights: All Sea Gull Lighting 6" incandescent 120v lights, Juno IC2, TC2, and TC2R; Halo H7T and H7RT; Cooper Lighting H27RT, Capri (Thomas) Lighting PR75ASIC/TPR75ASIC/DY6431; Progress Lighting P7TG, P8-TG and PIO8-TG.
- Sea Gull Lighting is not affiliated with, nor it is endorsed by, any of the companies listed above. Sea Gull Lighting does not distribute or sell any of the products listed above.

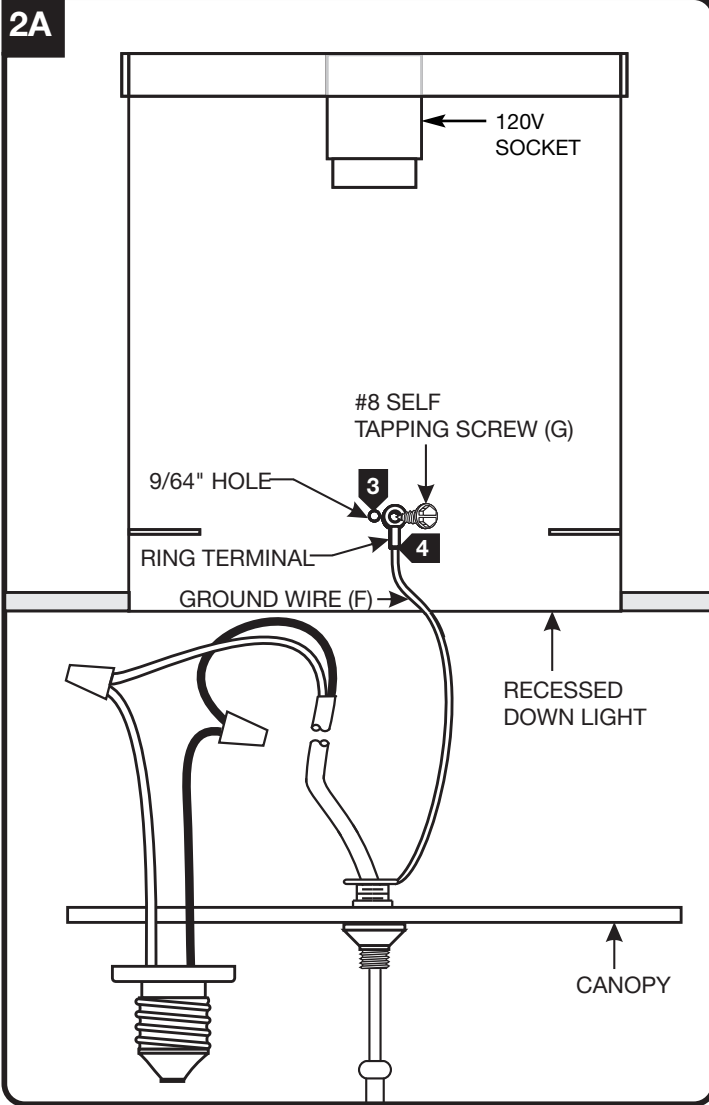


Down Light Specification

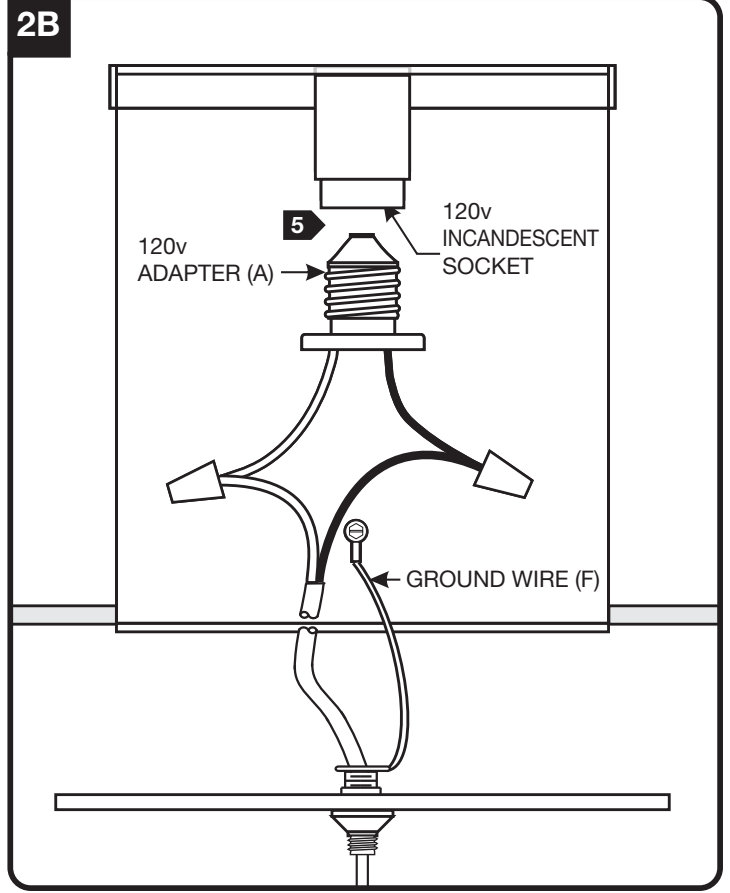


- 1 The Ambiance recessed can adapter can be mounted to down lights that:
- contain "C" shape hooks (H) on the inside of the can wall.
 - are 6" to 6-1/2" in diameter.

Power Connection

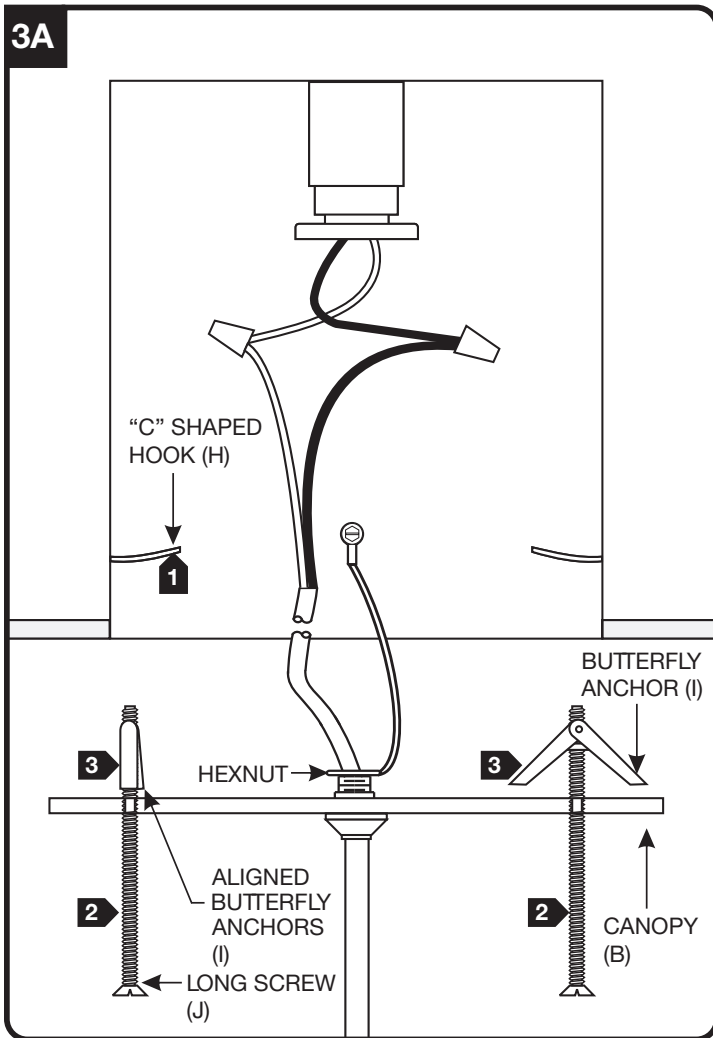


- 1 Turn the power to the recessed down light off.
- 2 Remove the existing trim and the incandescent lamp.
- 3 Drill a 9/64" hole inside the down light can wall (a pre-drilled hole might exist that is applicable for the ground wire (F) connection).
- 4 Connect the canopy ground wire terminal to the drilled hole with the #8 self tapping screw (G).

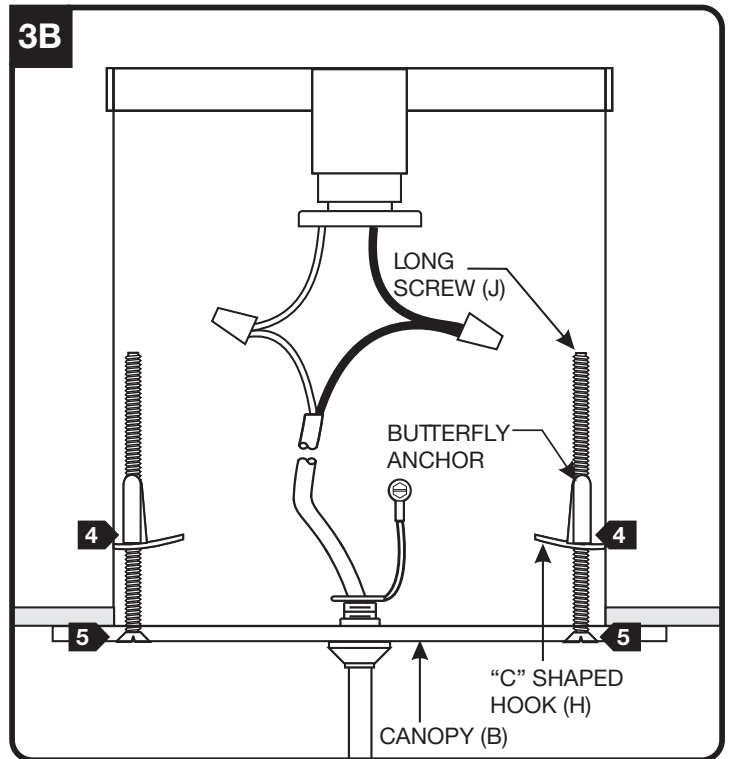


- 5 Screw the 120v adapter (A) tightly into the 120v incandescent socket.

Installing the Canopy Using the Butterfly Anchors

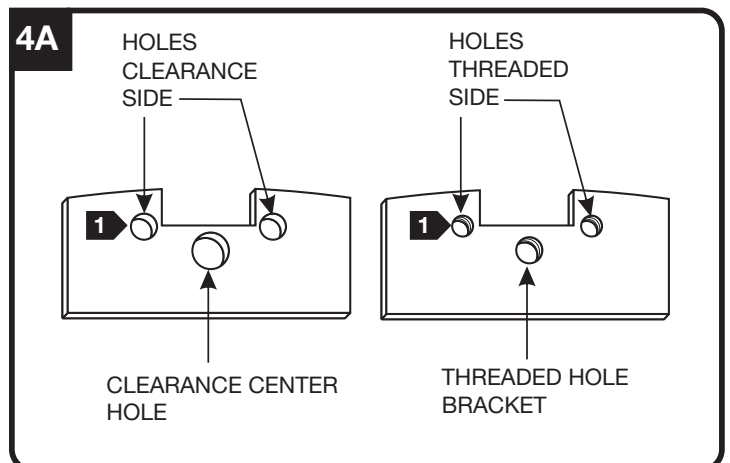


- 1** Bend the "C" shaped hooks (H) slightly up to hold the butterfly anchors (I).
- 2** Push the long screws (J) through the canopy (B) holes.
- 3** Screw the butterfly anchors onto the tip of the long screws (J).

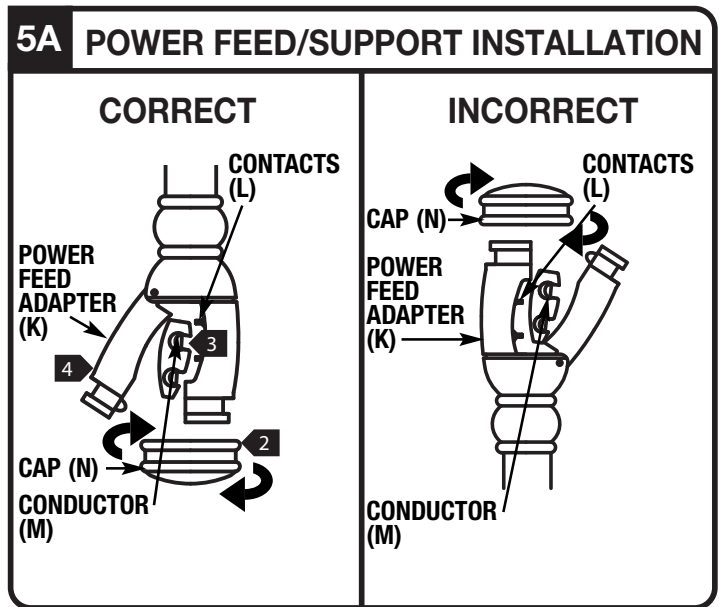
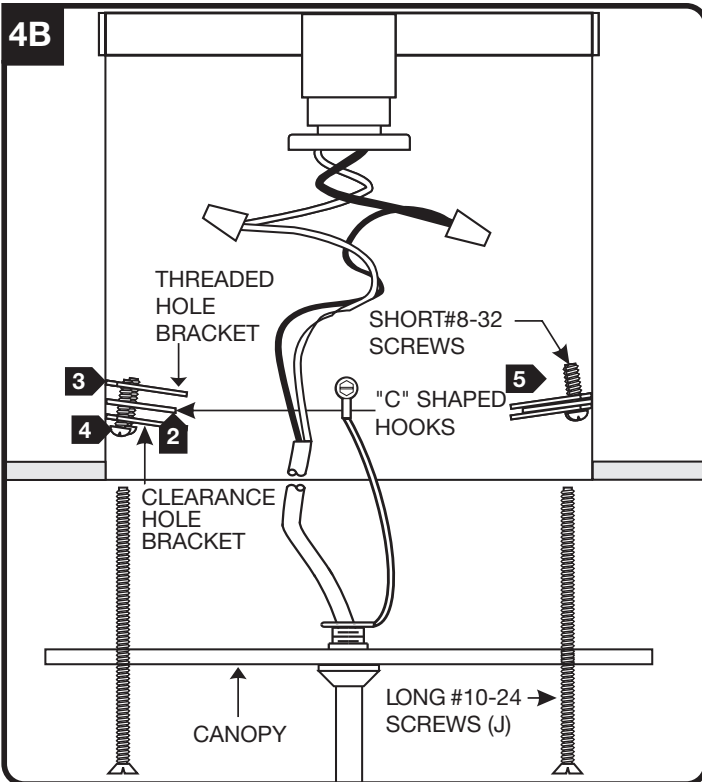


- 4** Align and hang the butterfly anchors (I) onto the "C" shaped hooks (H) on both sides of the down light.
- 5** When the butterfly anchors (I) are properly hung onto the "C" shaped hooks (H), tighten the long screws (J) by keeping a light tension on the canopy (B). This will prevent the butterfly anchors (I) from slipping off of the "C" shaped hooks (H).

Installing the Canopy Using the Mounting Brackets



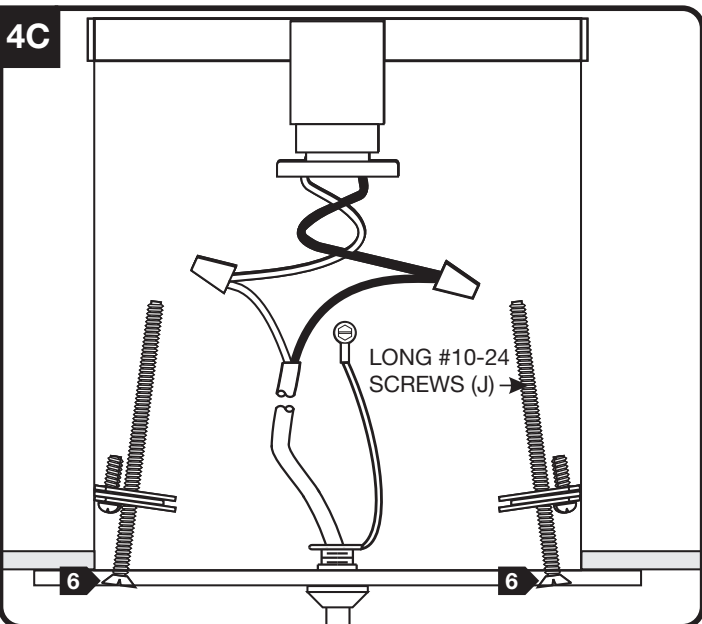
- 1** There are four mounting brackets, two with threaded holes and two with clearance holes. Each set uses a threaded and clearance hole bracket.



Rail Installation

- 1 Be sure to install support adapters (not supplied).
- 2 Remove caps (N) from rail adapter (K) by unthreading.
- 3 Install rail (not supplied) into adapter (K) so conductors (M) face contacts (L) of power feed adapter (see 5A). PLEASE MAKE SURE CONTACTS (L) FIT INTO RAIL CONDUCTORS (M) PROPERLY. NOTE: if power feed or support adapters are not able to close around the rail, turn rail around so adapters close properly.
- 4 Close hinged side of power feed adapter (K) over rail. Use a phillips head screw driver to tighten the grounding screw located above the cap on the power feed adapter (K) into the rail.
- 5 Thread caps (N) back onto rail adapters.

WARNING: Do not use this power feed to supply more than 600w to a circuit. Doing so may cause a fire hazard.



- 6 Screw the long #10-24 screws (J) into the center hole of brackets.