

IMPORTANT SAFETY INSTRUCTIONS

- Be sure the electricity to the system you are working on is turned off; either the fuse removed or the circuit breaker set at off.
- Use of other manufacturers components will void warranty, listing and create a potential safety hazard.
- If you are unclear as to how to proceed, contact a qualified electrician.
- You don't need special tools to install this fixture.
- Be sure to follow the steps in the order given.
- Read instructions carefully.
- Save these instructions.

BEFORE YOU BEGIN

Carefully remove the fixture from the carton and check that all parts are included. Be careful not to misplace any of the screws or parts which are needed to install this fixture.

ASSEMBLY

Insert mounting nipple from spotlight (not supplied) through bracket. Secure with lock nut.

INSTALLATION

STEP 1:

Insert rubber cord through top holes in bracket (Fig 1.)

STEP 2:

Wrap cord around tree with ends of cord even (Fig 1.)

STEP 3:

Push S-hook over cord end and while stretching cord tight push s-hook as far as you can towards the tree.

STEP 4:

Pull cords and insert ends into other holes in bracket (Fig. 2 & 3) or loop cord ends under stretched cord and cut off excess (Fig. 4).

STEP 5:

S-hook may be crimped tight on cord with pliers if desired.

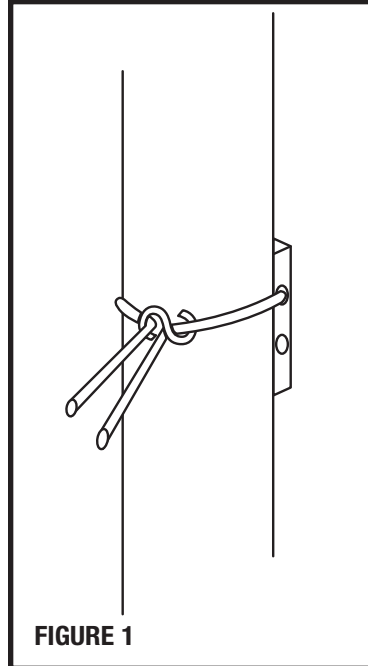


FIGURE 1

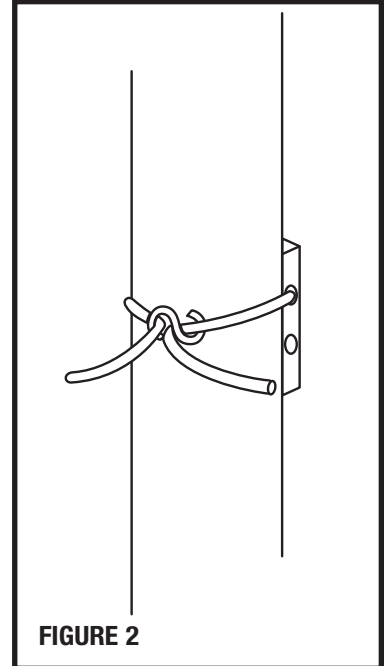


FIGURE 2

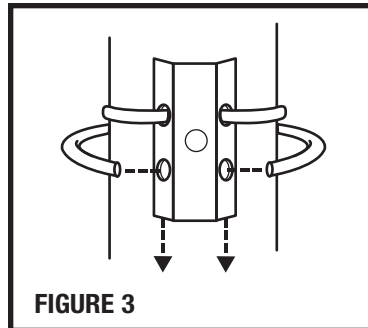


FIGURE 3

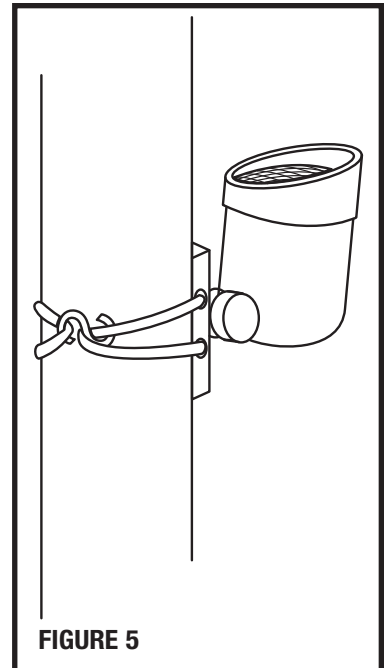


FIGURE 5

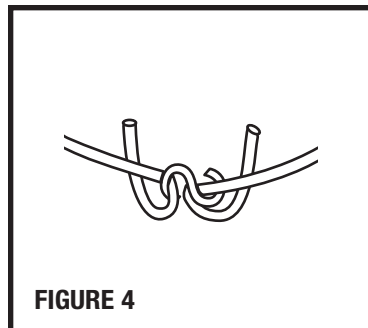
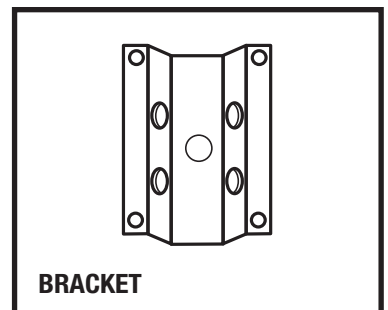


FIGURE 4

10' RUBBER CORD



"S" HOOK



BRACKET