

**Model:****(91502-147) Vanguard 8 12v****(91503-147) Vanguard 8 24v**

# UNIQUE

## LIGHTSCAPING™

*a brand of Sea Gull Lighting*

**Description: 12V or 24V Solid Brass Hardscape / Rail Light****Lamp Provided: (2) 10 Watt Astro-Brite Bi-Pin Bulb****ASSEMBLY/INSTALLATION INSTRUCTIONS:****Please read carefully before installing. Save these instructions.**

**TOOLS REQUIRED:** Philips screwdriver. It is recommended that when installing any low voltage fixture you have (at a minimum) the following items: digital voltage meter, amp probe, wire nuts, and assorted hand tools

**Masonry installations**

1. Determine fixture location and secure fixture using the mortar plate.
2. You have 3 wire exit lead direction options. Use the rubber plugs to block light leakage on unused wire exists.
3. Run your wire to your point of connection.
4. Place unit in a position so the mortar plate is supported by material both top and bottom.
5. You may use mortar plate extensions for installations such as dry-stack applications.

**Installations with out mortar plate**

1. Remove the 2 side screws and remove the shroud.
2. Remove the 2 screws on socket base plate and remove the mortar plate.
3. You have 3 wire exit lead direction options. Use the rubber plugs to block light leakage on unused wire exists.
4. Determine fixture location and run your wire to your point of connection.
5. Use the supplied screws to mount socket base plate to surface. NOTE: retain the gasket between the base plate and surface to prevent any light leakage.
6. After the fixture is installed, simply pull the 25' wire lead to your connection point (hub) and connect the two wires. (Note: even though polarity is not an issue, it is recommended that you always match the polarity, that is to say put the lettering-to-lettering wires and the ribbed to ribbed wires together.)

**Re-lamping**

1. Remove the 2 side screws and remove the shroud.
2. Replace lamp and reassemble shroud.

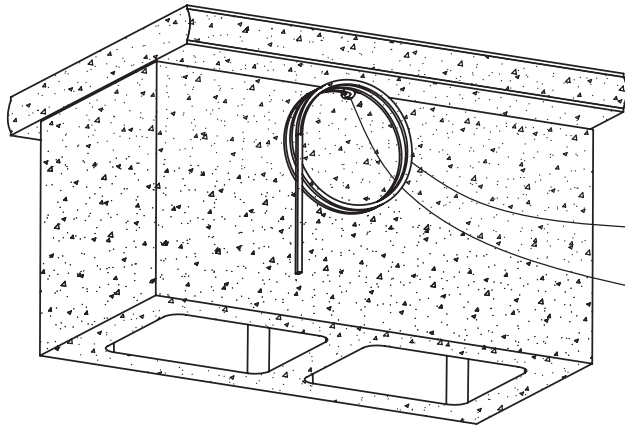
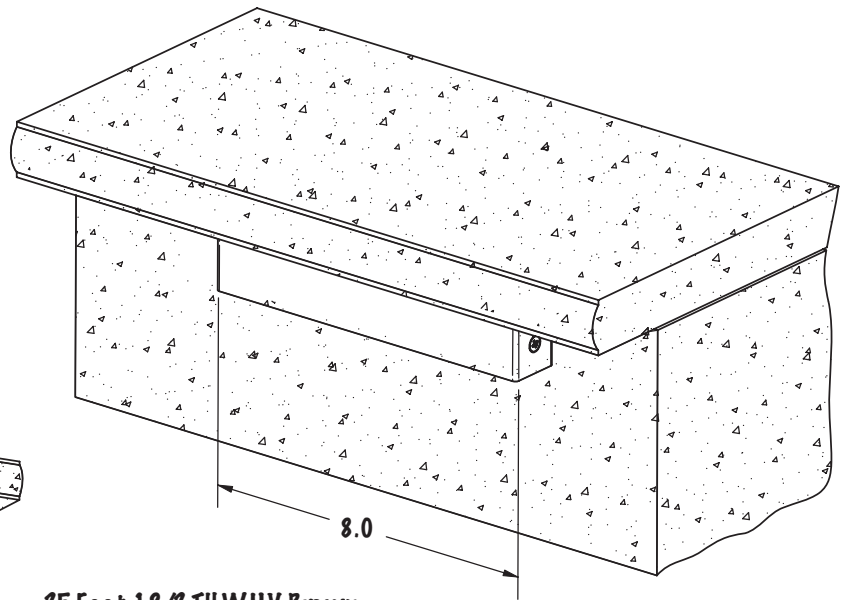
**Important safety and maintenance instructions**

1. Lamp is hot when lit! Do not touch when lamp is on!
2. Allow fixture to cool before touching or re-lamping fixture!
3. Keep away from materials, structures or landscapes that may burn!
4. Do not operate fixture if cover shield is damaged or missing.
5. Do not submerge fixture in water.
6. Clean fixture with mild soap. Do not use acid or any other solvent base cleaner.

**CAUTION:** **DO NOT OVERLOAD CABLE or TRANSFORMER** and maintain polarity at all times. For 12 volt systems, keep each fixture between 10.8 and 12 operating volts. For 24 volt systems, keep each fixture between 21.6 and 24.0 operating volts. Consult with a qualified electrical contractor and local electrical codes before installing any electrical product.

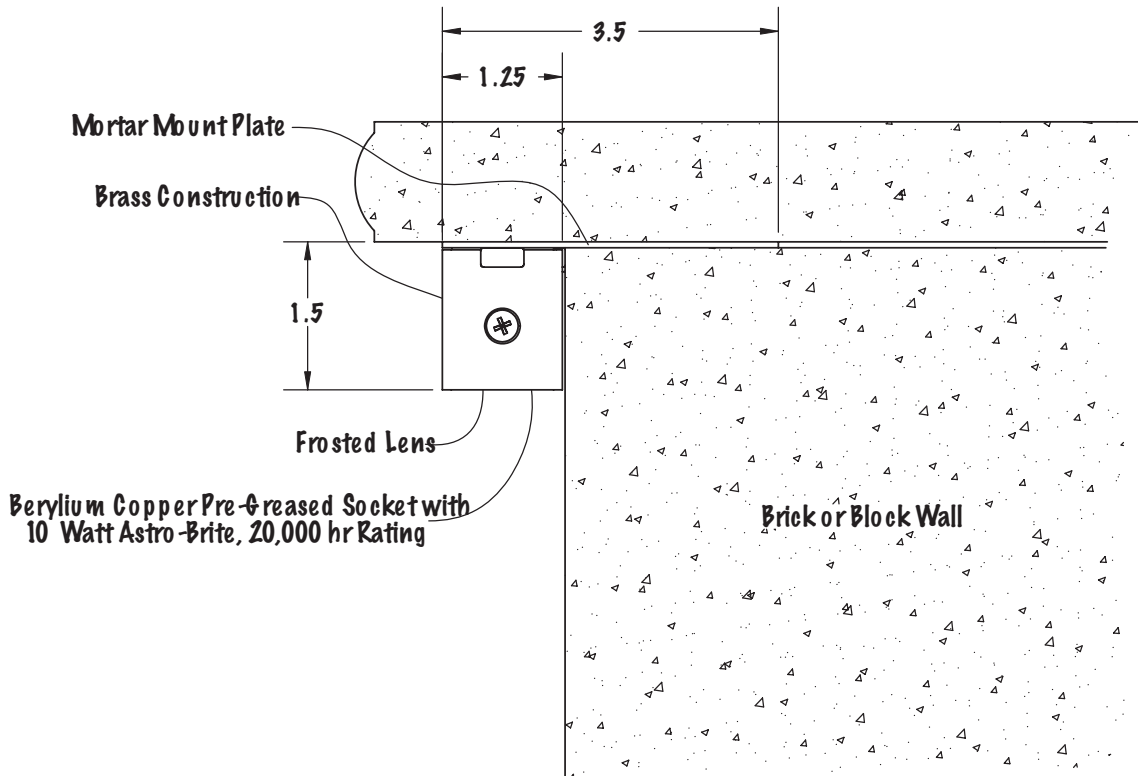
# UNIQUE LIGHTSCAPING™

a brand of Sea Gull Lighting



25 Feet, 18/2 THWUV Brown

Notch top of block and run wire out the back-side of wall. Coil extra wire behind the wall.



**Model Shown: (91502-147) Vanguard 8 12v**

- NOTES: -Lifetime Warranty  
 -Included: Frosted Lens  
 -Level of Light Application: 1 & 2  
 -Weatherd Brass Finish

FIXTURE NAME

**VANGUARD 8**

DESCRIPTION

**HARDSCAPE LIGHT**

SCALE: NONE WEIGHT: 1.2 lbs

REV

7/31/08

# UNIQUE LIGHTSCAPING™ *a brand of Sea Gull Lighting*



Use extension straps when more depth into wall is needed



Bend tabs on straps to form a hook



Hook straps to mortar plate holes.



Weight of material stacked on top will hold unit in place. You can also use mortar, adhesive, and/or anchors.



Stack stone, brick, or cap on top of straps and mortar plate to finish.