



Job Name:

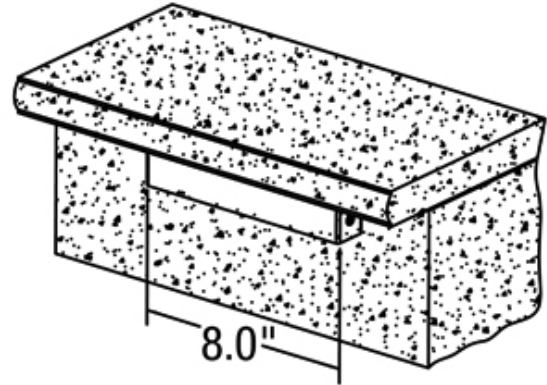
Job Type:

Comments:

Quantity:

Product Number: 91502-147

Specification Images



91502-147 - Vanguard Hardscape Lights, 12v

Collections: Signature (Primary)
 Van Guard

Brass Construction

A step beyond the normal recessed wall light, our unique hardscape lights are perfect for illuminating short retaining walls and other niche locations. The brass cover directs and spreads light to the intended area, while the extendable mounting plate secures the fixture allowing for face plate adjustments. Simply remove the mounting plate for installations under railings and other tight fitting spaces. The frosted lens is perfect for the desired light output.

Pre-Greased Beryllium Copper Socket

Anti-Moisture Migration Connections

Recessed, Under Wall Cap Mount

Includes Removable Plate & Mounting Straps

Use of other manufacturers' components and power management system materials will void warranty, listing, and present a possible safety hazard. Please use caution when specifying lamps by selecting the proper voltage, base type, and wattage lamp when designing and installing any lighting system.

UPC #: 785652129025

Product Type: Landscape Light

Finish: Weathered Brass (147)

Features:

Lifetime Warranty

Dark Sky

Dimensions:

Width: 8"

Wire: 300" (color/Brown)

Bulbs:

2 - G4 Bi-Pin Halogen T3 10w max 12v - Not included

Material List:

1 Construction - Brass - Weathered
 Brass

Safety Listing:

cETL Listed for Wet Locations

Instruction Sheets

English (Vanguard 8)

Shipping Information

Package Type	Quantity	UPC	Length	Width	Height	Cube	Weight	UPS Ship	Label
Individual	1	785652129025						Yes	