

# Floor Mount Tub Filler with Handshower

## Model LT500

### Features

- Solid Brass Construction
- 1/4" Turn Ceramic Disc Cartridge
- 1/2" IPS Inlets
- 8" Centers
- Double Check Valves
- Limited Lifetime Warranty

### Codes/Standards

Specified model meets or exceeds:

- ASME A112.18.1
- ADA compliance to ANSI A117.1
- CSA B125.1
- Energy Policy Act of 1992
- IAPMO cUPC® Listed



### Specified Models:

Model #	Product Description
LT500	Floor Mount Tub Filler with Handshower and Metal Cross Handles - Polished Chrome
LT500-SN	Floor Mount Tub Filler with Handshower and Metal Cross Handles - Satin Nickel

### Finish Codes:

Series Finish Codes
(Add to base model number, Example: LT500-SN)
Satin Nickel SN

# Floor Mount Tub Filler with Handshower

## Model LT500

### Technical Information

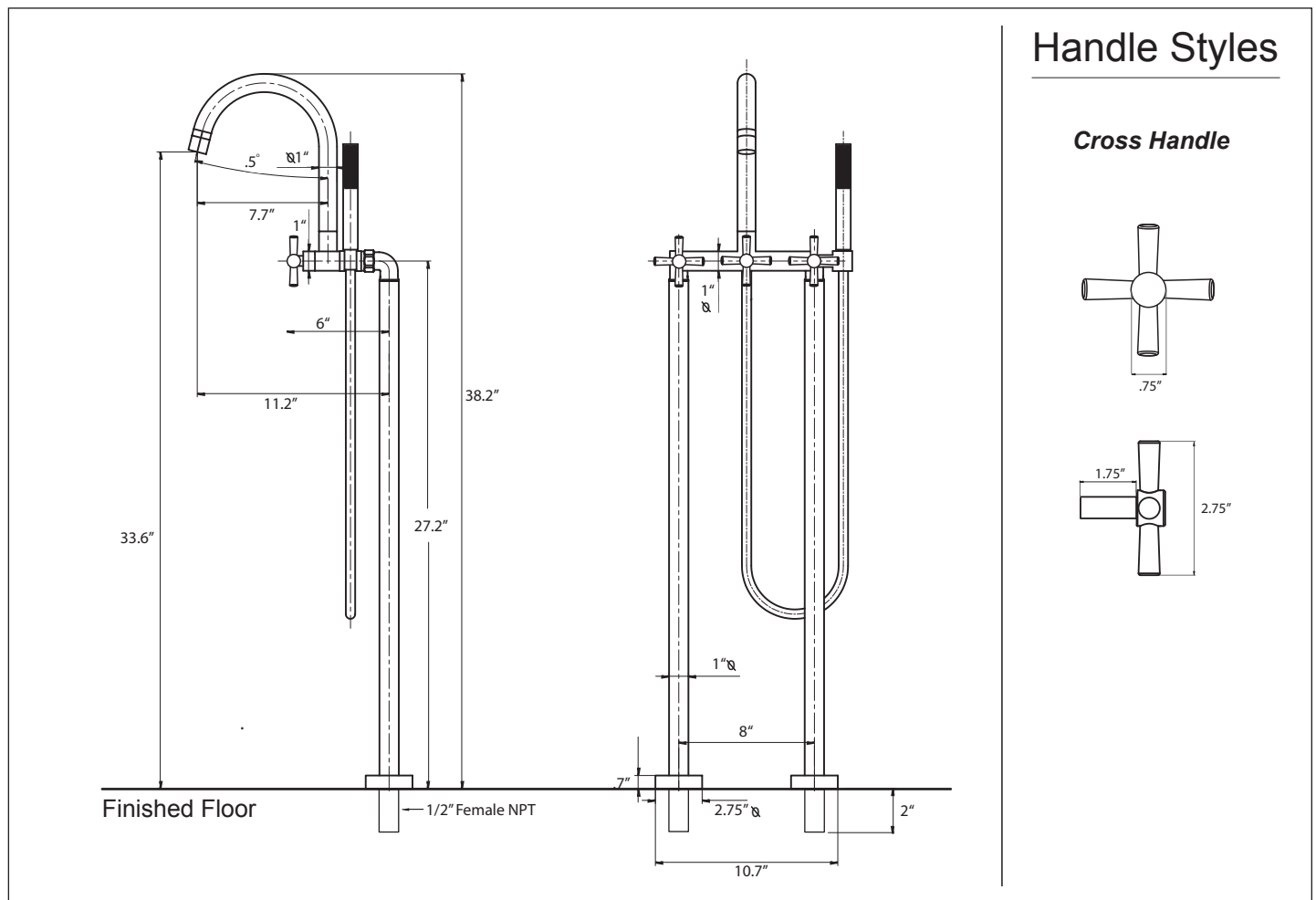
- Replacement parts available
- Toll-free helpline: 888-560-5222
- Flow Rate of tub filler:  
9.3 PGM @ 45 psi
- Flow rate of handshower:  
2.5 GPM @ 45 max
- 59" Handshower Hose

### Installation Notes

- Recommended that this faucet is installed with support brace (Model # U-SBRC-XX)
- Requires a 1" diameter hole to be drilled in floor

### Warranty

Limited lifetime function and finish warranty to the original consumer purchaser covering defects in material and workmanship. 5 Year limited warranty for all industrial and commercial applications. See complete warranty statement for details



All measurements are approximations and should be used for reference only. Your "other" Warehouse reserves the right to make specification and pricing changes without notice or obligation, and to change or discontinue models and finishes. All rights reserved © 2008

YOW-LT500  
2 of 2



**s c h ö n**  
**brass works**

Schön Brass Works  
2900 Westfork Drive, Suite 300  
Baton Rouge, LA 70827  
800.880.8164  
Fax: 225.215.9528