

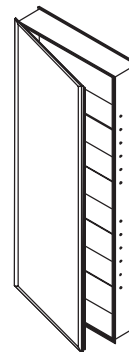
### Features

- Recess or surface mount
- Colored glass or tinted mirror doors with mirrored, matte silver interior
- 3-way adjustable concealed hinge system
- SAFESEAL® gasket frame
- Patented swing-out magnifying mirror
- Rust-free aluminum construction
- Left hinge door
- Four adjustable glass shelves
- Electric feature includes two duplex 15 A, 110 VAC GFCI outlets
- 19-1/4" (48.9 cm) W x 39-3/8" (100 cm) H x 4-5/8" (11.7 cm) D

LEFT HAND, WITH ELECTRIC

### MP20D4F11LE

ALSO MP20D4F12LE, MP20D4F13LE, MP20D4F14LE, MP20D4F15LE, MP20D4F16LE, MP20D4F17LE, MP20D4F18LE, MP20D4F19LE



### Codes/Standards Applicable

Specified model meets or exceeds the following:

- Electrical cabinets are UL listed

### Specified Model

Model	Description	
MP20D4F11LE	Tinted Gray Mirror, left hand, with electric	<input type="checkbox"/>
MP20D4F12LE	Satin Bronze, left hand, with electric	<input type="checkbox"/>
MP20D4F13LE	Satin Gray, left hand, with electric	<input type="checkbox"/>
MP20D4F14LE	Champagne Mesh, left hand, with electric	<input type="checkbox"/>
MP20D4F15LE	Onyx Mesh, left hand, with electric	<input type="checkbox"/>
MP20D4F16LE	Hammered Oil Rubbed Bronze, left hand, with electric	<input type="checkbox"/>
MP20D4F17LE	Hammered Platinum, left hand, with electric	<input type="checkbox"/>
MP20D4F18LE	Vintage Ivory, left hand, with electric	<input type="checkbox"/>
MP20D4F19LE	Satin White, left hand, with electric	<input type="checkbox"/>

**NOTE:** Hardware required for installing cabinets side-by-side is included.

Required Accessories - For Surface Mount Installations Only		
MPSK40D411	Tinted Gray Mirror side kit - surface mount	<input type="checkbox"/>
MPSK40D412	Satin Bronze side kit - surface mount	<input type="checkbox"/>
MPSK40D413	Satin Gray side kit - surface mount	<input type="checkbox"/>
MPSK40D414	Champagne Mesh side kit - surface mount	<input type="checkbox"/>
MPSK40D415	Onyx Mesh side kit - surface mount	<input type="checkbox"/>
MPSK40D416	Hammered Oil Rubbed Bronze side kit - surface mount	<input type="checkbox"/>
MPSK40D417	Hammered Platinum side kit - surface mount	<input type="checkbox"/>
MPSK40D418	Vintage Ivory side kit - surface mount	<input type="checkbox"/>
MPSK40D419	Satin White side kit - surface mount	<input type="checkbox"/>

# M SERIES DECORATIVE CABINET

## Required Accessories - For Multiple Cabinets Installed or Stacked Vertically Only

MSF__S	Stack filler for surface mounted cabinet installations	<input type="checkbox"/>
MSF__R	Stack filler for recessed cabinet installations	<input type="checkbox"/>
MSF__D2	Stack filler for partially recessed cabinet installations	<input type="checkbox"/>

Follow MSF with width of full cabinet array plus any installed lights when ordering. For example, MSF 49.5 S is stack filler for two surface mounted 24" (61 cm) cabinets and one kit of 1-1/2" (3.8 cm) lights [23-1/4" (59.1 cm) + 23-1/4" (59.1 cm) + 1-1/2" (3.8 cm) + 1-1/2" (3.8 cm)].

## Optional Accessories

SLB20D4	Safety-lock box	<input type="checkbox"/>
---------	-----------------	--------------------------

Frames, light options, and additional accessories are available. Refer to the Price Guide for more information.

## Technical Information

Roughing-in opening	18-1/2" (47 cm) W x 38-5/8" (98.1 cm) H x 4" (10.2 cm) D
Door opening angle	170°

## Installation Notes

Install this product according to the installation guide.

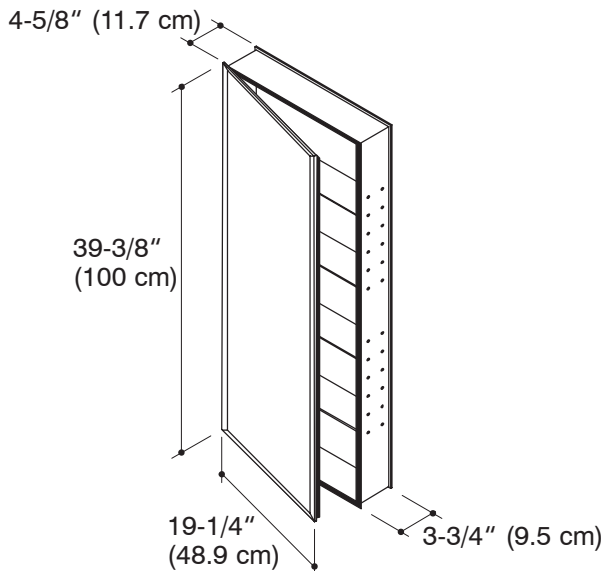
When determining the height of the mirrored cabinet, ensure the mirrored door will clear all obstacles, such as a faucet. A minimum distance of 1" (2.5 cm) is required.

Secure the screws (provided) to a stud to avoid possible property and product damage. If this is not possible, anchors (provided) must be inserted before installing the screws.

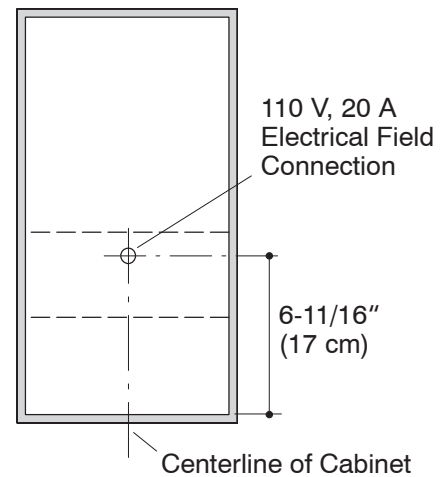
Modular components can be joined horizontally and vertically offering unlimited storage space. When ganging cabinets: rough opening width/height = total width/height of all cabinets and lights minus 3/4" (1.9 cm).

Stack filler is required for vertical stacking.

Recessed cabinets project 7/8" (2.2 cm) from wall.



## Electrical Connection Detail (Rear View)



## Product Diagram