

MLLWS Sconce Installation Instructions

General Notes

1. Unpack the light fixture. Be sure to remove hardware bag before discarding carton.
2. Rated for 100W bulb Type-A UL Listed for damp locations.
3. If you experience any problems with your light contact your dealer or Robern directly.

Robern • P.O. Box 2145 • Bristol, PA 19007
215.826.9800 • 800.877.2376 • Fax 215.826.9633

LIGHT TYPE	FINISHES	Sconce Frame (optional)
Sconce	• MLLWS Chrome Brushed Nickel	• CH • BN Heirloom Gold Heirloom Silver Laurel Gold Laurel Silver Classic Gold Classic Silver Bead Mahogany Bead White
		• PLLWSHFG • PLLWSHFS • PLLWSLFG • PLLWSLFS • PLLWSCFG • PLLWSCFS • PLLWSBFM • PLLWSBFW

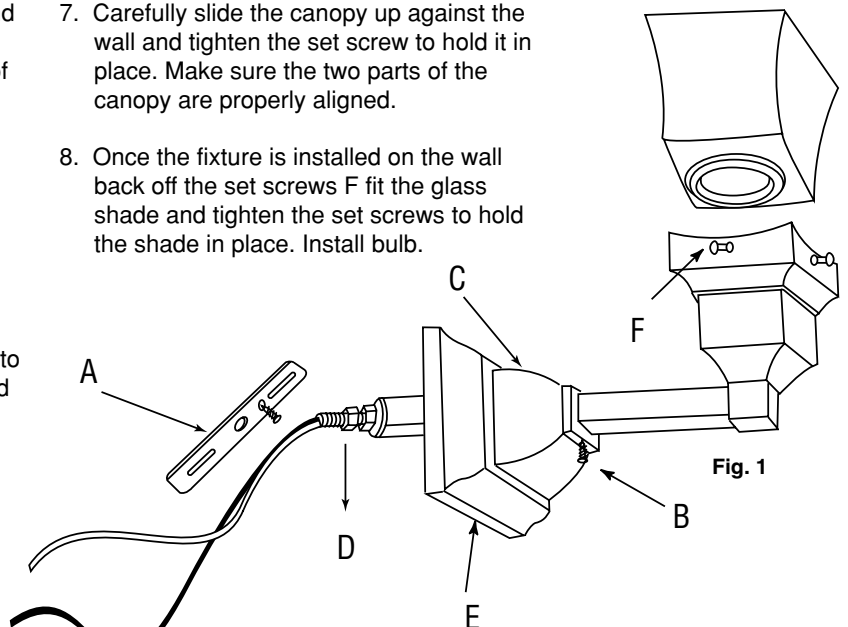
Note:
If using the optional matching Sconce Frame, See page 2 for instructions.

Installation

1. Attach crossbar A to the electrical box using the screws supplied with the box. Sometimes it is necessary to mount the crossbar at a slight upward angle (use a washer or two under the lower screw) so that the weight of the fixture doesn't make it appear to "droop".
2. Loosen the set screw B on canopy C and carefully slip the canopy toward the elbow or body of the fixture so it is out of your way. Set the larger part of the two part canopy E between the smaller section C and the wall.
3. Screw locknut D about 1/2" down the threaded pipe.
4. Slip the wires through the crossbar and turn fixture clockwise, screwing it securely to the crossbar. Be careful not to twist the wires coming from the threaded pipe.
5. After squaring the fixture to the room, tighten the locknut securely against the cross bar. This prevents any movement when changing bulbs or if the fixture is bumped.
6. Connect the wires from the fixture to the house wiring. If your fixture has a bare ground wire, where you connect it depends on the wiring in your house.

Never connect it to a current-carrying wire. If your house has metal electrical boxes, connect the fixture ground wire to the green ground screw on the crossbar. If your house is new or has been rewired and has plastic boxes, connect the fixture ground wire to the house ground wire.

7. Carefully slide the canopy up against the wall and tighten the set screw to hold it in place. Make sure the two parts of the canopy are properly aligned.
8. Once the fixture is installed on the wall back off the set screws F fit the glass shade and tighten the set screws to hold the shade in place. Install bulb.



• Light can be hung with glass shade facing up or down •