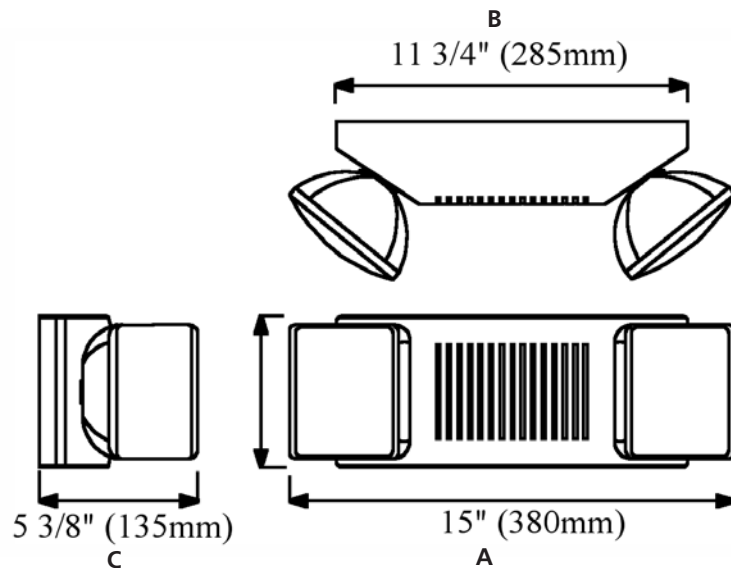


Type _____
 -30
 PE007

Catalog No.	Finish White	Dimensions (Inches)		
		A	B	C
PE007	-30	15	5-1/8	5-3/8



Specifications:

General

- Emergency light with two adjustable heads
- The injection molded white plastic housing has soft rounded corners.
- Each head has a 5.4 watt T5 lamp, included
- Ambient temperature range: 0° C (32° F) to 40° C (104° F)

Mounting

- Surface mounted
- Back plate has molded in universal J-box mounting pattern and keyhole slots.
- Back plate covers a standard recessed 4" octagonal outlet box.

Electrical/Battery

- 120/277v dual input
- Sealed Lead Calcium 6v, 4.5 AH battery with a maximum full recharge time of 24 hours. Minimum 1-1/2 hour emergency operation

- Low voltage disconnect prevents deep discharge and maintains battery life
- Automatic solid state charger
- Test switch with LED charge indicator/AC voltage indicator
- Line latching feature prevents unit from turning on during installation to a non-energized AC circuit.

Labeling

- UL damp location listed
- UL924 listed
- Housing is UL94-5V rated
- Meets Life Safety NFPA 101 requirements