

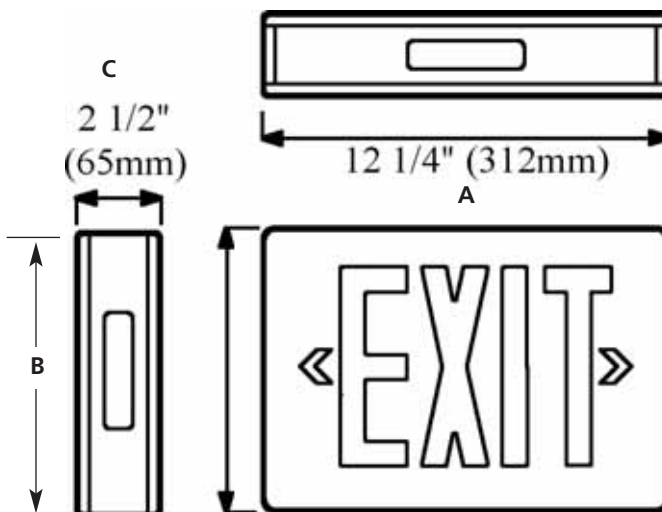
Type _____

-30

PE001

PE002

Catalog No.	Finish	Letters	Dimensions (Inches)		
	White		A	B	C
PE001	-30	Red	12-1/4	8-5/8	2-1/2
PE002	-30	Green	12-1/4	8-5/8	2-1/2



Specifications:

General

- Injected molded white plastic housing with soft corners
- Included snap fit canopy and second face permit top, end or surface mounting
- Single or double face
- Snap fit replaceable chevrons for directional indication
- Long life Light Emitting Diode (LED) lamps provide maximum lamp life and energy savings
- Integral battery pack permits unit to be self powered during power outages
- Ambient temperature range: 0° C (32° F) to 40° C (104° F)

Mounting

- Top, end, or surface mounted
- Snap-in canopy for end or top mounting
- Canopy or housing covers a standard recessed 4" octagonal outlet box.
- Mounting hardware included

Electrical/Battery

- 120/277v dual input
- Sealed Nickel Cadmium battery provides a minimum 1-1/2 hour emergency operation
- Low voltage disconnect prevents deep discharge and maintains battery life
- Automatic solid state charger
- Test switch with LED charge indicator/AC voltage indicator

Labeling

- UL damp location listed
- UL924 listed
- Housing is UL94-5V rated
- Meets Life Safety NFPA 101 requirements