



Compact Fluorescent

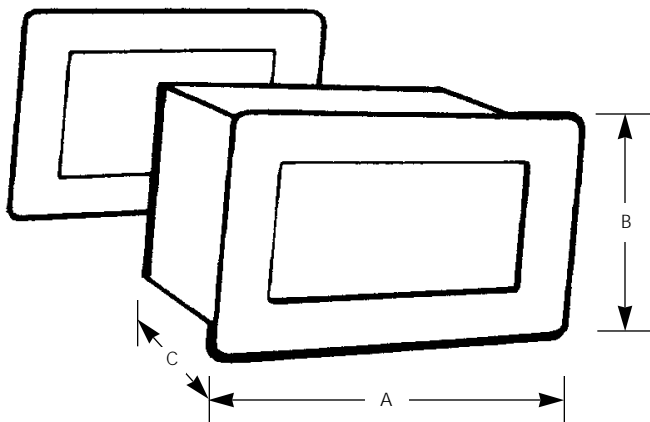
Step Light Thru-Wall Double Face

Recessed

Type _____
 -30
 P6824
 P6825

Catalog No.	Finish White	Lamping	Dimensions (Inches)		
			A	B	C
P6824	-30 - Open Acrylic	1-7w or 9w CF	8-5/8	5-7/8	3-1/2
P6825	-30 - Louver	1-7w or 9w CF	8-5/8	5-7/8	3-1/2

Wall Opening = 5 x 7-5/8



Specifications:

Face Plate

- White powder coated steel
- Louvers have linear baffles to direct all light downward
- Open Acrylic - Shatter resistant white acrylic diffusers in white metal frames
- Gasketed for light leak prevention
- Both fasten to housing with torsion springs
- Torsion spring faceplates permit mounting of unit in stud walls from 3-1/2" to 4-1/2" thick

Housing

- White steel
- Interior wiring compartment
- 1/2" KO's for conduit or BX connections
- Units must be mounted at least 3" from any insulation

- Brackets for direct mounting to wall board are provided
- The same brackets accept P8716-01 hanger bars, if required, for new construction

Electrical

- 120v NPF magnetic ballast
- G23 base lampholder
- Multiple units can be wired together without the need of separate junction boxes

Electrical

- White acrylic faceplates - Specify P6824-30
- Open louver faceplates - Specify P6825-30

Labeling

- UL-CUL damp location listed

Progress Lighting
 Post Office Box 5704
 Spartanburg, South Carolina
 29304-5704

www.progresslighting.com