



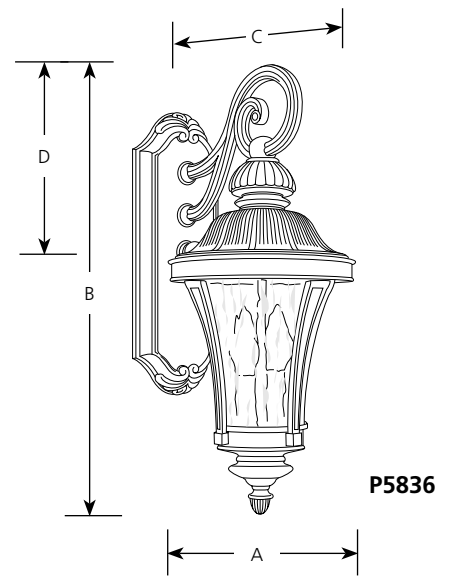
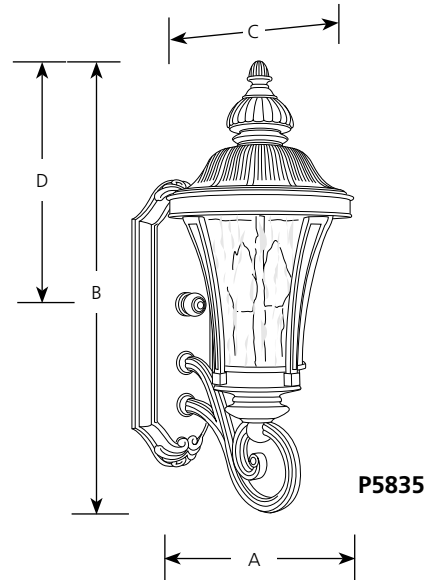
Incandescent

Nottingham

Outdoor

Catalog No.	Finish		Lamping	Dimensions (Inches)			
	Gilded Iron	Forged Bronze		A	B	C	D
P5835	-71	-77	2 (c) 60w	8	19-5/8	10-5/8	10-5/8
P5836	-71	-77	2 (c) 60w	8	19-5/8	10-5/8	8
P5837	-71	-77	3 (c) 60w	10	26	13	9-1/2
P5838	-71	-77	3 (c) 60w	10	24-1/2	13	14-7/8

Type	-71	-77
P5835	<input type="checkbox"/>	<input type="checkbox"/>
P5836	<input type="checkbox"/>	<input type="checkbox"/>
P5837	<input type="checkbox"/>	<input type="checkbox"/>
P5838	<input type="checkbox"/>	<input type="checkbox"/>



Specifications:

General

- Cast aluminum decorative roof
- Water seeded glass
 - P5835 and P5836: 6-1/2" dia., 6-3/8" ht., 3-5/8" center hole
 - P5837 and P5838: 8" dia., 8" ht., 4-1/2" center hole
- Hand painted Gilded Iron (-71), Forged Bronze (-77) finishes
- Companion Chain hung lantern, Post top lantern, Wall lantern, fixtures are available

Mounting

- Wall mount
- Back plate covers a standard 4" hexagonal recessed outlet box: 5" W., 13-5/8" ht., 1-1/8" thick
- Mounting hardware for outlet box included

Electrical

- Candelabra base sockets with candle covers matching fixture finish
- Pre-wired

Labeling

- cCSAus Wet location listed

Progress Lighting
 701 Millennium Blvd.
 Greenville, South Carolina
 29607

www.progresslighting.com

Rev. 7/13