

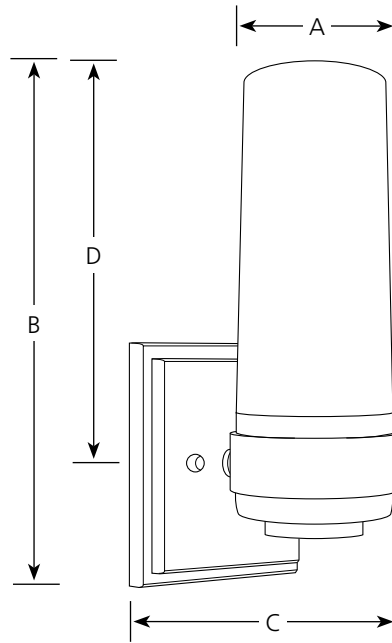
Type \_\_\_\_\_

-09

P5746

**Finish**

Catalog No.	Brushed Nickel	Lamping	Dimensions (Inches)			
			A	B	C	D
P5746	-09	1-26w spiral CFL	5	10-5/8	4-3/4	8-1/8



**Specifications:**

General

- White acrylic closed end tubular enclosure
- Can be mounted in "up" position only
- Plated Brushed Nickel (-09) finish
- Title 24 compliant
- Steel construction
- Companion close to ceiling and bath and vanity fixtures are available

Mounting

- Wall mounted
- Canopy covers a standard 4" hexagonal recessed outlet box
- Mounting strap for outlet box included

Electrical

- GU24 based socket
- Pre-wired

Labeling

- UL-CUL wet location listed
- Title 24 compliant