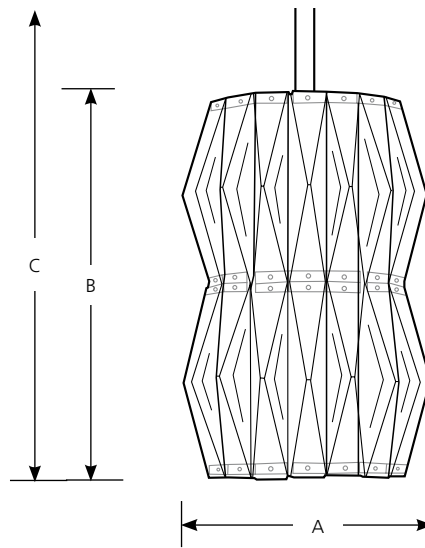


Type \_\_\_\_\_  
-15

P5051

Catalog No.	Finish		Lamping	Dimensions (Inches)		
	Polished Chrome			A	B	C
P5051	-15		1 (c) 60w	6	10	75-1/2



**Specifications:**

General

- Clear K9 crystal
- Plated Polished Chrome (-15) finish
- Steel construction
- One 6", four 12" lengths of stem included
- 6 links of 9 gauge chain included
- Companion fixtures are available

Mounting

- Ceiling stem mount
- Canopy covers a standard 4" hexagonal recessed outlet box
- Mounting strap for outlet box included

Electrical

- Candelabra base phenolic socket
- 10 feet of wire supplied
- Pre-wired

Labeling

- UL-CUL Dry location listed