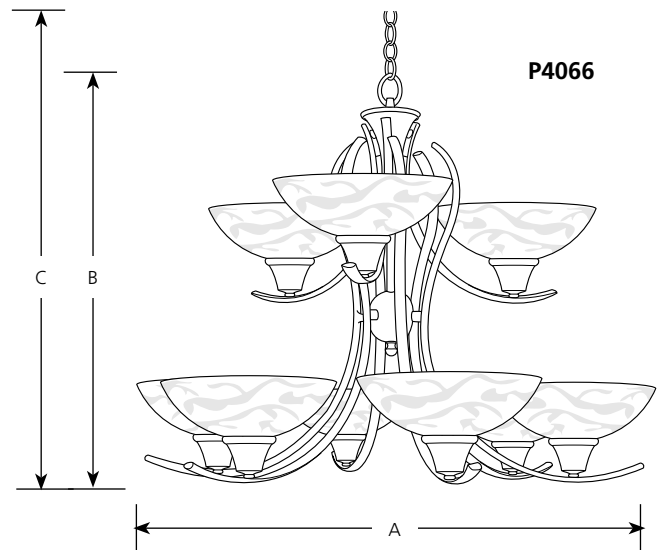
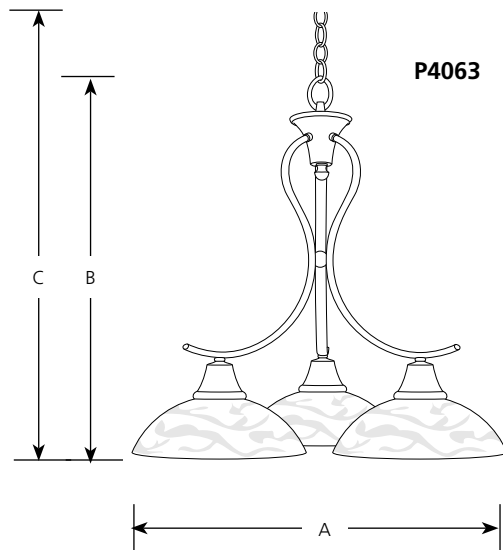


Type _____
 -09
 P4063
 P4064
 P4065
 P4066

Catalog No.	Finish		Lamping	Dimensions (Inches)		
	Brushed	Nickel		A	B	C
P4063	-09		3 (m) 100w	23-1/4	23-1/4	97-7/8
P4064	-09		3 (m) 100w	24-1/8	18-7/8	93-1/2
P4065	-09		4 (m) 100w	26	22-1/2	96-5/8
P4066	-09		9 (m) 100w	33-3/4	27-5/8	102-1/4



Specifications:

General

- Etched watermarked glass bowl type shades: 10" dia. x 3-1/4" ht., 2" center hole
- Plated finish
- Modern curved oval arms
- Six feet of 9 gauge of matching chain supplied
- Steel construction
- Companion fixtures: Pendant, hall and foyer, and close to ceiling

Mounting

- Ceiling mount on chain
- Canopy Covers a standard 4" octagonal recessed outlet box

-P4063, P4064, P4065 canopy is 5-1/2" dia. x 1-3/8" ht.

-P4066 canopy is 7-3/8" dia. x 1-7/8" ht.

- Mounting strap for outlet box included

Electrical

- Pre-wired
- 15 feet of wire
- Medium based ceramic sockets
- Threaded socket ring secures glass

Labeling

- UL-CUL listed