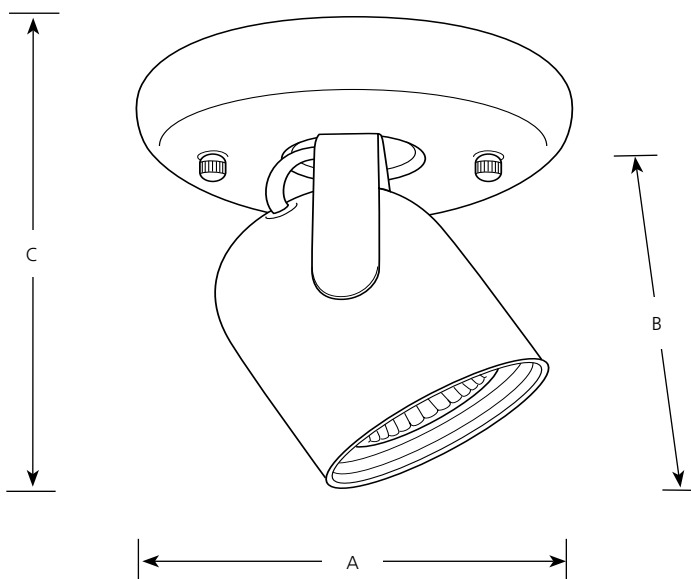




Type _____
 -09WB -30WB -174WB
 P6145

| Catalog No. | Finish | | | | Lamping | Dimensions (Inches) | | |
|-------------|----------------|-------|--------------|--|--------------------|---------------------|---|-------|
| | Brushed Nickel | White | Urban Bronze | | | A | B | C |
| P6145 | -09WB | -30WB | -174WB | | 1-50w MR16 (incl.) | 5 | 5 | 4-3/4 |



Specifications:

General

- Solid (P6145) or pin hole (P6146) round back styles
- Plated Brushed Nickel (-09) and painted white (-30) And Urban Bronze finishes
- 180 degree vertical and 360 degree horizontal adjustment.
- Matching three lamp units available. Also a two lamp for the solid round back.
- Steel construction

Mounting

- Wall or ceiling mounted
- Canopy covers a standard recessed 4" octagonal outlet box
- Mounting strap for outlet box included

Electrical

- 120v 50w MR16 lamps included with fixture
- GU10 based socket
- Pre-wired

Labeling

- UL-CUL listed