

DESCRIPTION

GRILLE & LIGHTING:

- White polymeric grille
- Snap-in light diffusing lens
- Energy efficient lightning - uses (2) 18W (max.) high efficiency, GU24 based, fluorescent lamps (included) and 7W night light (not included)

VENTILATOR:

- Resilient anti-vibration mounts
- Plug-in, permanently lubricated motor
- Low sound, high performance blower wheel
- Polymeric, 6" round damper/duct connector - for optimal performance - with 1-1/8" long tapered sleeve and no metallic clatter

HEATER:

- 1500 watts, with metal blower wheel for efficient, even heating
- Plug-in, permanently lubricated motor - functions independent of ventilator

HOUSING:

- Rugged galvanized steel housing
- 7-5/8" height allows for 2" x 8" (nominal) joist installations
- Adjustable mounting brackets span up to 24"
- Suitable for use in insulated ceilings (Type I.C.).
- Use Model 77DV (Ivory) / 77DW (White) Four Function Control

NOTE:

- For installation in ceilings up to a 12/12 pitch.
- Installation in ceilings 9-foot high or less will provide maximum comfort.
- Do not mount this product in a wall.

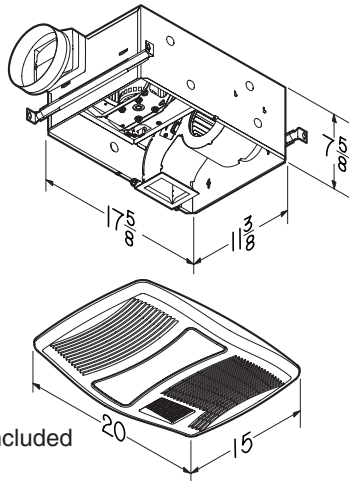
SPECIFICATIONS

VOLTS	AMPS	SONES	CFM	DUCT
120	13.5 *	0.9	110	6" Round

* Requires a dedicated 20-Amp circuit.



HVI-2100 CERTIFIED RATINGS comply with new testing technologies and procedures prescribed by the Home Ventilating Institute, for off-the-shelf products, as they are available to consumers. Product performance is rated at 0.1 in. static pressure, based on tests conducted in a state-of-the-art test laboratory. Sones are a measure of humanly-perceived loudness, based on laboratory measurements.



INSTALLATION

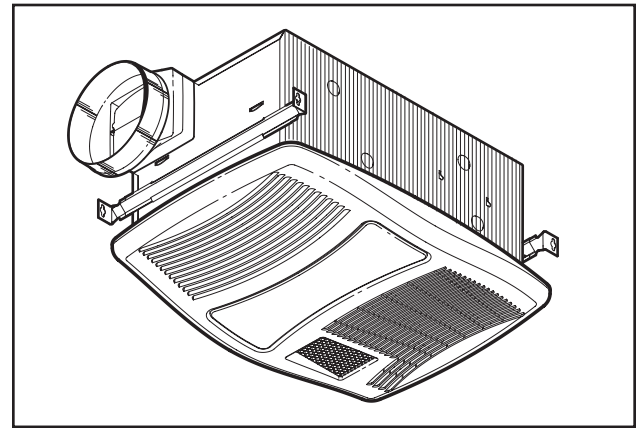
Complete installation instructions are included with each Heater/Fan/Light/Night Light.

Broan-NuTone LLC Hartford, Wisconsin www.nutone.com 888-336-3948

REFERENCE	QTY.	REMARKS	Project
			Location
			Architect
			Engineer
			Contractor
			Submitted by Date

Heater/Fan/ Fluorescent Light/ Night Light

MODEL
QTXN110HFLT



ARCHITECT'S SPECIFICATION

- Combination unit shall be NuTone Model QTXN110HFLT.
- Unit shall have galvanized steel housing and adjustable mounting brackets.
- Unit must be rated to handle (2) 18W (max.) high efficiency, GU24 based, fluorescent lamps.
- Fan, heater, light, and night light shall be separately controllable. Motor shall be permanently lubricated.
- Heater to deliver 1500 Watts of fan-forced heat.
- Air delivery shall be no less than 110 cfm and sound levels no greater than 0.9 sones. All air and sound ratings shall be certified by HVI.
- Unit shall be UL listed.
- Combination unit to be suitable for use in insulated ceilings. (Type I. C.)