

ALVESTON

Double Light **19-52SB** Also 19-52SC

Features

- Solid brass construction
- Single -post, double light design
- UL listed for damp locations
- Upward facing shade design
- Complements Alveston product series

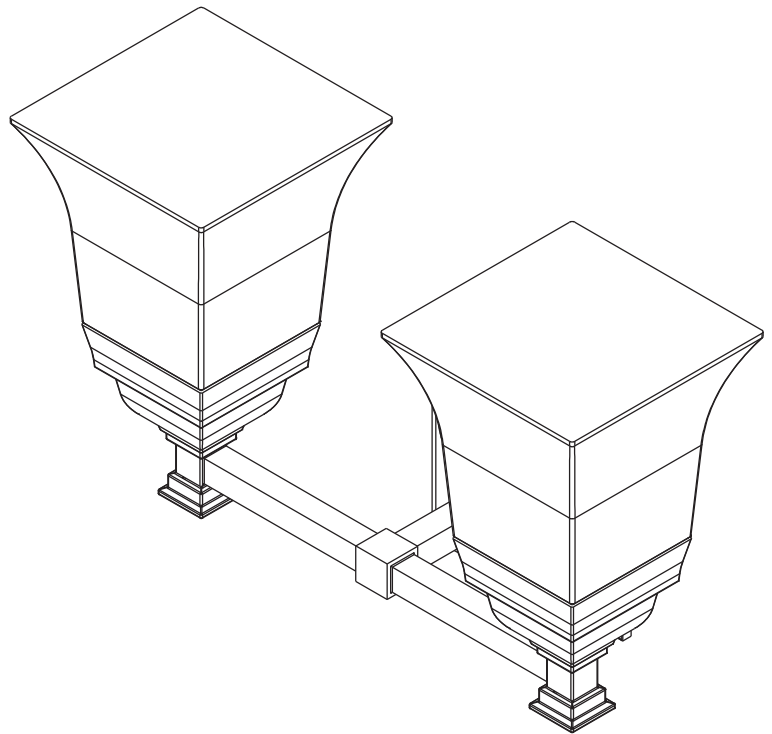
Codes / Standards Compliance

Meets or exceeds the following at date of manufacture:

- UL 1598
- All applicable US Federal and State material regulations

Colors / Finishes

- 15: Polished Nickel
- 15S: Satin Nickel
- 26: Polished Chrome
- 10B: Oil Rubbed Bronze
- Other: Refer to the Newport Brass catalog for additional color/finish options. Item not available in 10 (Satin Bronze – PVD) or 24A (French Gold – PVD). All other PVD finish requests will be accommodated as non-PVD equivalents.



Specified Model

Model	Description	Colors Finishes				
19-52SB	Double Light, Clear Glass (depicted)	<input type="checkbox"/> 15	<input type="checkbox"/> 15S	<input type="checkbox"/> 26	<input type="checkbox"/> 10B	<input type="checkbox"/> Other
19-52SC	Double Light, Etched Glass	<input type="checkbox"/> 15	<input type="checkbox"/> 15S	<input type="checkbox"/> 26	<input type="checkbox"/> 10B	<input type="checkbox"/> Other
SB	Replacement Glass Shade, Clear Glass					
SC	Replacement Glass Shade, Etched Glass					

Product Specification: Add glass type designator and "Color / Finish" suffix to Model number, below.

The Double Light shall incorporate solid brass construction and (a clear or an etched) glass shade. Double Light shall complement Newport Brass Alveston product series. Double Light shall be Newport Brass Model 19-52S____/____.

19-52SB

Product Dimensions *(units are in inches)*

