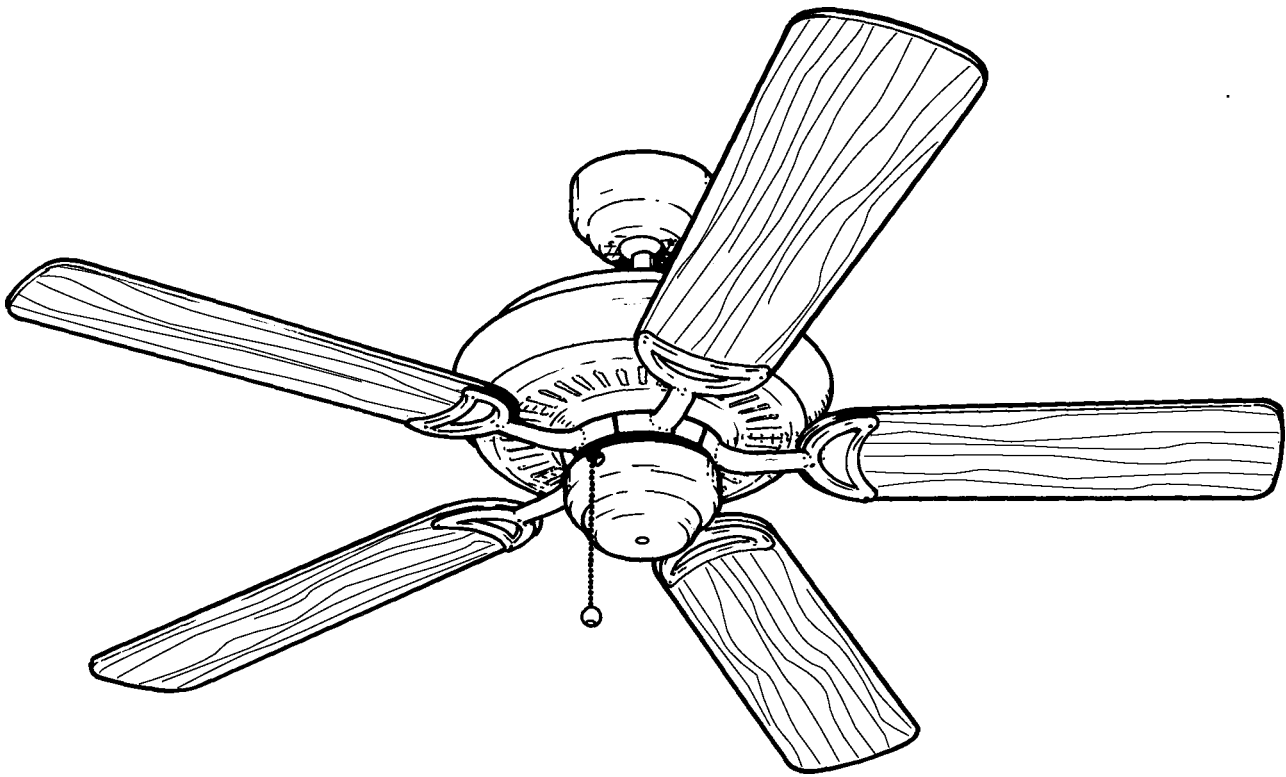


OWNER'S MANUAL

Ceiling Fan Installation Instructions



Total fan weight

For Designer Supreme Fans

READ AND SAVE THESE INSTRUCTIONS

MONTE CARLO

QUALITY CEILING FANS



Safety Tips

WARNING: TO REDUCE THE RISK OF FIRE, ELECTRIC SHOCK, OR INJURY TO PERSONS, OBSERVE THE FOLLOWING:
READ AND SAVE THESE INSTRUCTIONS

1. Installation work and electrical wiring must be done by qualified person(s) in accordance with all applicable codes and standards(ANSI/NFPA 70-1993), including fire-rated construction.
2. Use this unit only in the manner intended by the manufacturer. If you have any questions contact the manufacturer.
3. After making the wire connections, the wires should be spread apart with the grounded conductor and the equipment-grounding conductor on one side of the outlet box and ungrounded conductor on the other side of the outlet box.
4. Before you begin installing the fan, Switch power off at Service panel and lock service disconnecting means to prevent power from being switched on accidentally. When the service disconnecting means cannot be locked, securely fasten a prominent warning device, such as a tag, to the service panel.
5. Be cautious! read all instructions and safety information before installing your new fan. Review the accompanying assembly diagrams.
6. When cutting or drilling into wall or ceiling, do not damage electrical wiring and other hidden utilities.
7. Make sure the installation site you choose allows the fan blades to rotate without any obstructions. Allow a minimum clearance of 7 feet from the floor to the trailing edge of the blade.
8. To reduce the risk of fire, electric shock, or personal injury, mount to outlet box or supporting system acceptable for fan support and use mounting screws and washers provided with the outlet box. (Mounting must support at least 35 lbs.)
9. Do not bend blade holders during installation to motor, balancing or during cleaning. Do not insert foreign object between rotating blades.
10. Attach the mounting bracket using only the hardware supplied with the outlet box.
11. To reduce the risk of fire or electric shock, do not use this fan with any solid state fan speed control device, or variable speed control.
12. If this unit is to be installed over a tub or shower, it must be marked as appropriate for the application.
13. NEVER place a switch where it can be reached from a tub or shower.
14. The combustion airflow needed for safe operation of fuel-burning equipment may be affected by this unit's operation. Follow the heating equipment manufacturer's guideline safety standards such as those published by the National Fire Protection Association (NFPA), and the American Society for Heating, Refrigeration and Air Conditioning Engineers (ASHRAE) and the local code authorities.
15. Before servicing or cleaning unit, Switch power off at Service panel and lock service disconnecting means to prevent power from being switched on accidentally. When the service disconnecting means cannot be locked, securely fasten a prominent warning device, such as a tag, to the service panel.

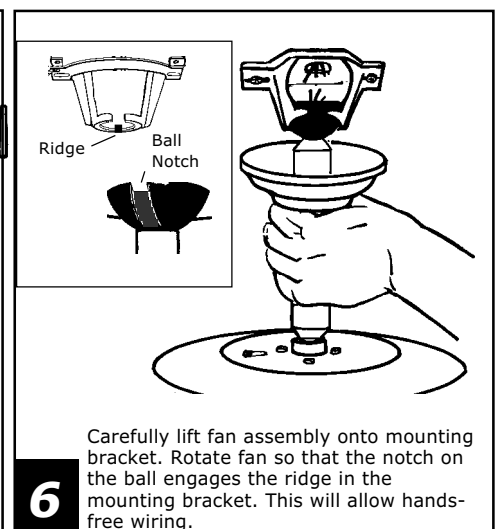
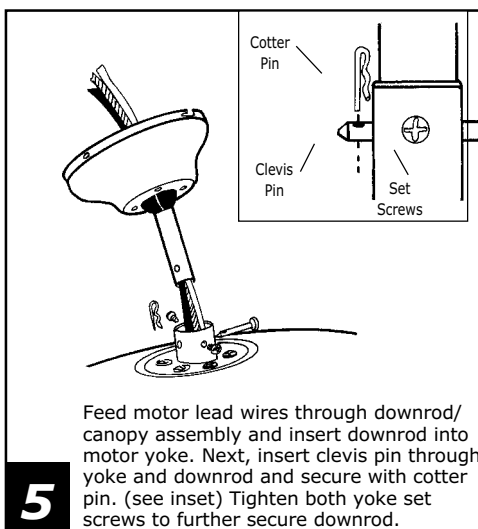
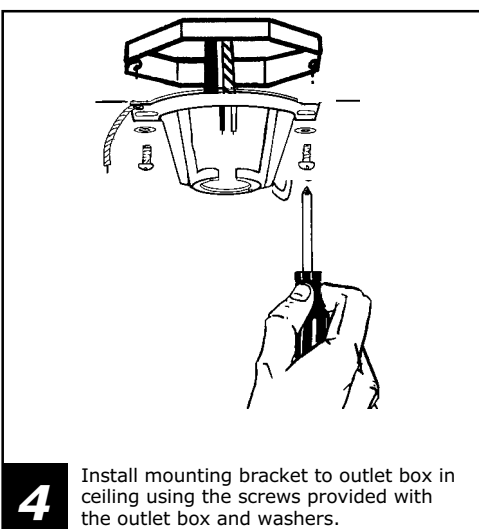
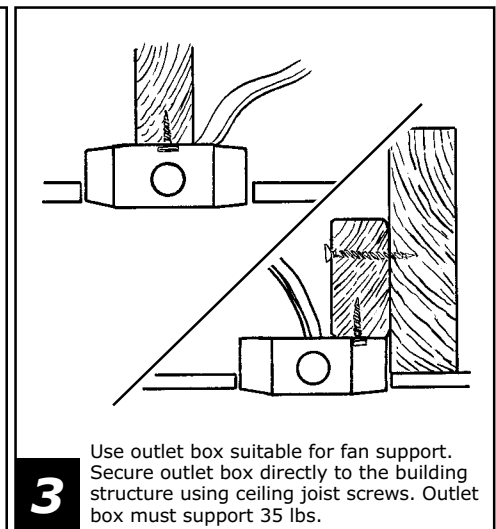
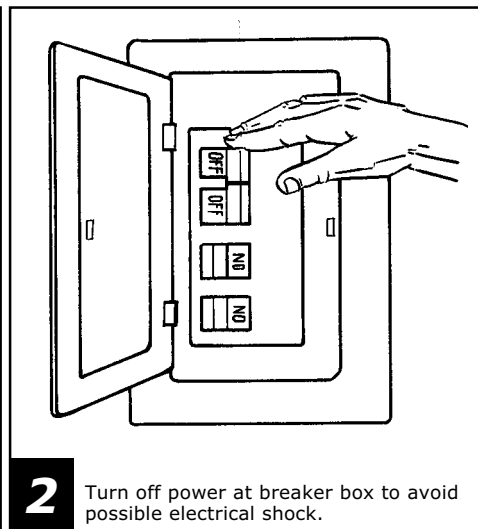
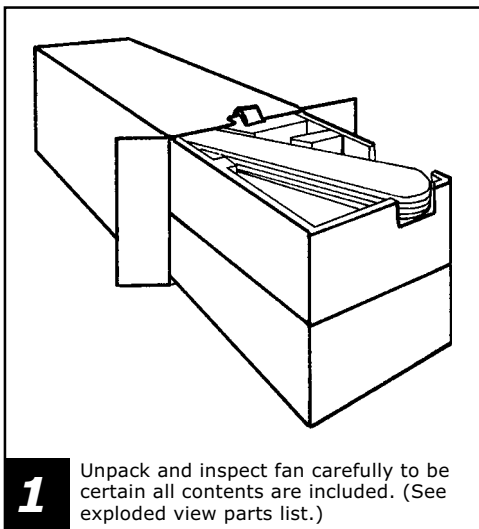
TOOLS REQUIRED

Phillips Screwdriver

Wire Cutters

Pliers

Step Ladder



Canadian Mounting System Insert

1 Feed motor lead wires through downrod/canopy assembly and insert downrod into motor yoke. Next, insert clevis pin through yoke and downrod and secure with cotter pin. (see inset) Tighten both yoke set screws to further secure downrod.

2 While the fan assembly is still on the ground thread the safety cable through the mounting bracket.

3 Lift fan assembly and install the safety cable directly to the building structure using the 3" lag screw and plain washer provided. Before proceeding to the next step make sure that the cable is properly installed and will support the fan weight. Make sure the screw washer and safety cable are installed using the order pictured above.

4 Install mounting bracket to outlet box in ceiling using the screws provided with the outlet box and washers.

5 A. Carefully lift fan assembly onto mounting bracket. Rotate fan so that the notch on the ball engages the ridge in the mounting bracket. This will allow hands-free wiring. For wiring instructions please refer to page 4 step #7.

Canadian Safety Tips

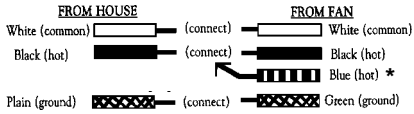
WARNING: MOUNT ONLY TO AN OUTLET BOX MARKED ACCEPTABLE FOR FAN SUPPORT

All set screws must be checked and retightened where necessary before installation.

Note:

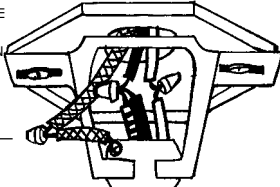
After installation, please refer to operation, maintenance and troubleshooting sections in this manual. If your fan is packaged with a light kit or if you wish to install a separately purchased light kit, please refer to the insert sheet titled: **LIGHT KIT INSTALLATION**

STANDARD WIRING OPTION



*ATTACH BLUE WIRE ONLY IF ATTACHING LIGHT KIT WITH FAN

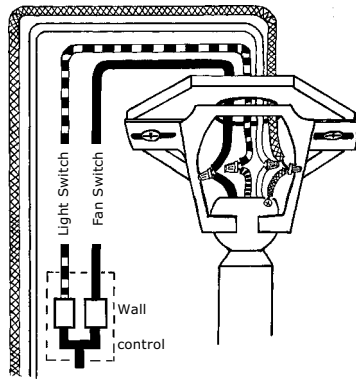
Secure with twist-lock wire connectors (included)



For pullchain controls, follow diagram above. Make sure that all exposed wiring is secured inside wire nuts. Note: Wires from house may vary in color and may not include ground wire. After wiring is complete, gently push wires into junction box with wire nuts pointing upward. Refer to point 3 of safety tips.

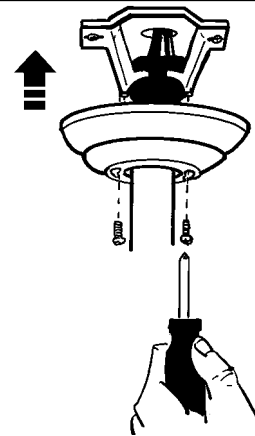
7

WIRING OPTION WITH WALL SPEED CONTROL



For control of fan and optional light from wall location, follow diagram above. NOTE: A professional electrician is recommended for this type of installation.

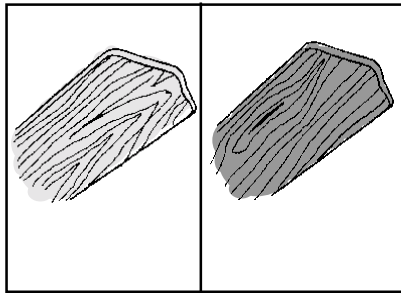
8



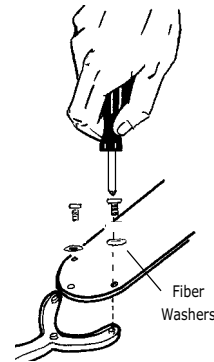
Raise the canopy up and align the two holes in the canopy with the two holes in the hanger bracket. Secure with two 5/32 x 1/2" screws provided.

9

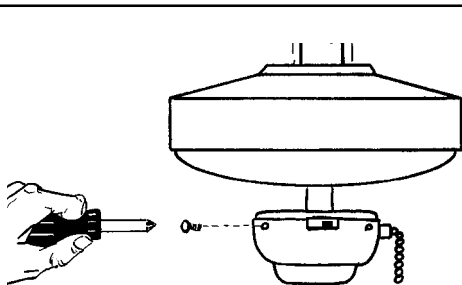
COMBO-BLADE



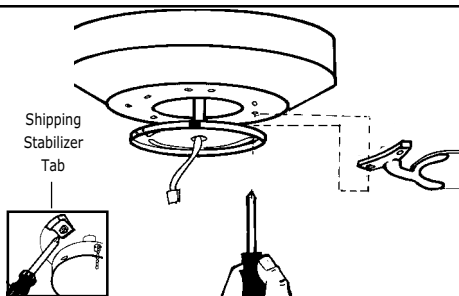
10 Combo-Blades feature two high quality finishes on one blade. Select the one that best complements your decor, or change the style with just a flip of the blade.



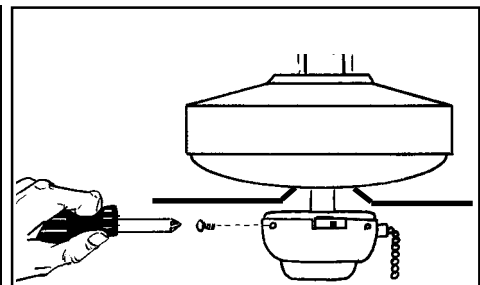
11 Attach blade brackets to blades using the blade bracket screws and washers provided.



12 To gain access to the blade bracket attachment holes remove the switch housing cover by unscrewing the three screws. Gently slide the cover off.



13 Remove plastic shipping stabilizer tabs, if present. The screws, washers and motor pads are pre-installed to the blade holders. Attach blade assembly to motor by tightening first screw one turn, then tighten second screw securely. Then, go back and tighten first screw securely.



14 After attaching blade; reinstall the switch housing using the three screws previously removed.

TROUBLESHOOTING GUIDE

If you have difficulty operating your new ceiling fan, it may be the result of incorrect assembly, installation, or wiring. In some cases, these installation errors may be mistaken for defects. If you experience any faults, please check this Trouble Shooting Chart. If a problem cannot be remedied, or you are experiencing difficulty in installation, please call our Customer Service Center at the number printed on your parts list insert sheet.

Warning: Before servicing or cleaning unit, Switch power off at Service panel and lock service disconnecting means to prevent power from being switched on accidentally. When the service disconnecting means cannot be locked, securely fasten a prominent warning device, such as a tag, to the service panel.

TROUBLE

SUGGESTED REMEDY

1. If fan does not start:

1. Check main and branch circuit fuses or circuit breakers.
2. Check line wire connections to fan and switch wire connections in switch housing.
CAUTION: Make sure main power is turned off.
3. Make sure forward/reverse switch is firmly in up or down position. Fan will not operate when switch is in the middle.
4. Make sure that shipping stabilizer tabs have been removed from motor (see installation step #13).

2. If fan sounds noisy:

1. Check to make sure all screws in motor housing are snug (not over tightened).
2. Check to make sure the screws which attach the fan blade holder to the motor are tight.
3. Check to make sure wire nut connectors in switch housing are not rattling against each other or against the interior wall of the switch housing.
CAUTION: Make sure main power is turned off before entering switch housing.
4. If using an optional Ceiling Fan Light Kit, check to be sure the screws securing the glassware are finger tight. Check to be sure light bulb is tight in socket and not touching glass shade(s). If vibration persists from glass, remove glass and install a 1/4" wide rubber band on glass neck to act as an insulator. Replace glass and tighten screws against rubber band.
5. Some fan motors are sensitive to signals from Solid State variable speed controls. DO NOT USE a Solid State variable speed control.
6. Allow "break-in" period of 24 hours. Most noises associated with a new fan will disappear after this period.

3. If fan wobbles:

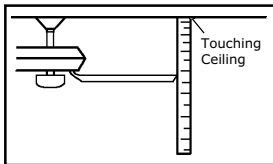


Figure 1

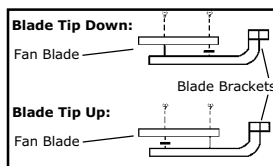


Figure 2

1. Make sure that the ridge of the canopy engages the notch in the downrod ball. (See illustration in Step #6 of Downrod Mount installation).
2. Check that all blades are screwed firmly into blade holders.
3. Check that all blade holders are tightened securely to motor.
4. Make sure that canopy and mounting bracket are tightened securely to ceiling junction box and junction box is mounted firmly to ceiling joist.
5. Most fan wobble problems are caused when blade levels are unequal. Check this level by selecting a point on the ceiling above the tip of one of the blades. Measure this distance as shown in Figure 1. Keeping measure within 1/8", rotate the fan until the next blade is positioned for measurement. Repeat for each blade. If all blade levels are not equal, you can adjust blade levels by the following procedure. To adjust a blade tip down, insert a washer (not supplied) between the blade and blade holder at the screw closest to the motor (Figure 2). To adjust a blade tip up, insert washer (not supplied) between the blade and blade holder at the two screws farthest from the motor (Figure 2).
6. If blade wobble is still noticeable, interchanging two adjacent (side by side) blades can redistribute the weight and possibly result in smoother operation.

4. If light does not work:

1. Check blue wire from fan to make sure it is connected to hot wire from house.
2. Check for loose or disconnected wires in fan switch housing.
3. Check for loose or disconnected wires in light kit.
4. Check for faulty light bulbs.

CAUTION: Make sure main power is turned off before entering switch housing.

MONTE CARLO

CUSTOMER SERVICE CENTER:
2900 WEST SEMINARY DR.
FORT WORTH, TEXAS 76133
1-800-519-4092