



Buy it for looks. Buy it for life.®

Specifications

FAUCET DESCRIPTION

- Metal construction with various finishes identified by suffix
- Wand with Hydrolock® quick connect system
- Pullout spray with 59" fiber hose
- 1/2" IPS connections will accept standard ball nose connection for 3/8" tubing

OPERATION

- Loop style handle
- Temperature controlled by 180° arc of handle travel
- Spout receptor rotation is 145°
- Operates with less than 5 lbs. of force
- Operates in stream or spray mode in the pullout or retracted position


FLOW

- Flow is limited to 2.2 gpm (8.3 L/min) MAX

CARTRIDGE

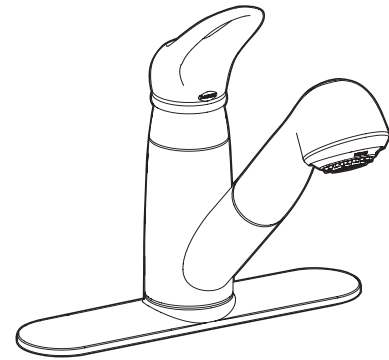
- 1225 cartridge design
- Engineered polymers, non-ferrous and stainless steel materials

STANDARDS

- Designed and manufactured to comply with the requirements of: CSA B-125, ASME A112.18.1M, NSF 61 Section 9, California Proposition 65, ANSI A117.1, ADA
- The backflow protection system in this device consists of two independently operating check valves, a primary and a secondary which prevent backflow.
- **ADA**  for lever handle

WARRANTY

- Lifetime limited warranty against leaks, drips and finish defects to the original consumer purchaser
- 5 year warranty if used in commercial installations

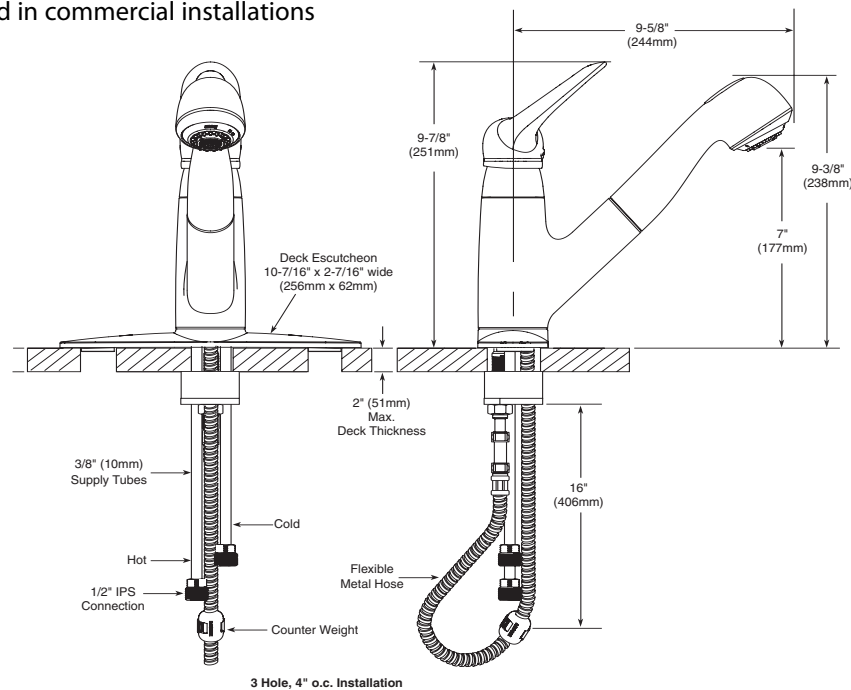


Salora™
Single Control Kitchen Faucet
w/Pullout Spray

Models: 7570 series
87570 series

Discontinued Models: 7570S, 7570SL,
87570C, 87570W, 87570S, 87570SL

NOTE: DESIGNED TO INSTALL
THRU 1 OR 3 HOLES 1-1/4" (32mm) MIN. DIA.



CRITICAL DIMENSIONS

(DO NOT SCALE)