

INSTALLATION INSTRUCTIONS

Item#1498 (New. 10/31/2012)

READ AND SAVE THESE INSTRUCTIONS

WARNING! SHUT POWER OFF AT FUSE OR CIRCUIT BREAKER.

AVERTISSEMENT! COUPER LE COURANT AU NIVEAU DES FUSIBLES OU DU DISJONCTEUR.

HANGING THE FIXTURE (Fig. 1)

1. Carefully remove the fixture from the carton and check that all parts are included as shown in the illustration.
2. Shut off power at the circuit breaker and remove old fixture including the mounting hardware.
3. Thread Studs (D) about 1/4" into the pre-drilled holes in the Circular Strap (B) spaced the same distance apart as the holes in the canopy (E)
4. Attach the Circular Strap (B) to the Junction box (A) using Mounting Screws (C) (Size: 8#-32N*L13mm). The side of the Circular Strap with "GND" marked on it and two convex points must face out.
5. Thread the Center Rod (G) to the nipple on the top of Metal Frame (H).

CONNECTING THE WIRES (Fig. 2)

6. At this point, connect the electrical wire as shown in (Fig.2), making sure that all wire connectors are secured. If your outlet has a ground wire (green or bare copper), connect the fixture's Ground Wire to it. Otherwise, connect the fixture's Ground Wire directly to the circular strap using the Green Screw provided.

FINISH THE INSTALLATION (Fig. 1)

7. After the wires are connected, tuck them carefully into the outlet box. Place the Canopy (E) over the Studs (D) and tighten with the Knurled Knobs (F).
8. Thread the Nipple (J) into the bottom of Socket (I).
9. Install light bulb (not included) in accordance with the fixture's specifications. **(DO NOT EXCEED THE MAXIMUM WATTAGE RATING!!) (NE PAS DEPASSER LA PUISSANCE NOMINALE MAXIMALE!)**
10. Place Glass Panel (K) and Cup (L) over Nipple (J) then secure with Finial (M).

Your installation is now complete. Return power to the junction box and test the fixture.

Note: Illustration (Fig.1) on this manual is for installation purposes only. It may or may not be identical to the fixture purchased.

Fig. 1

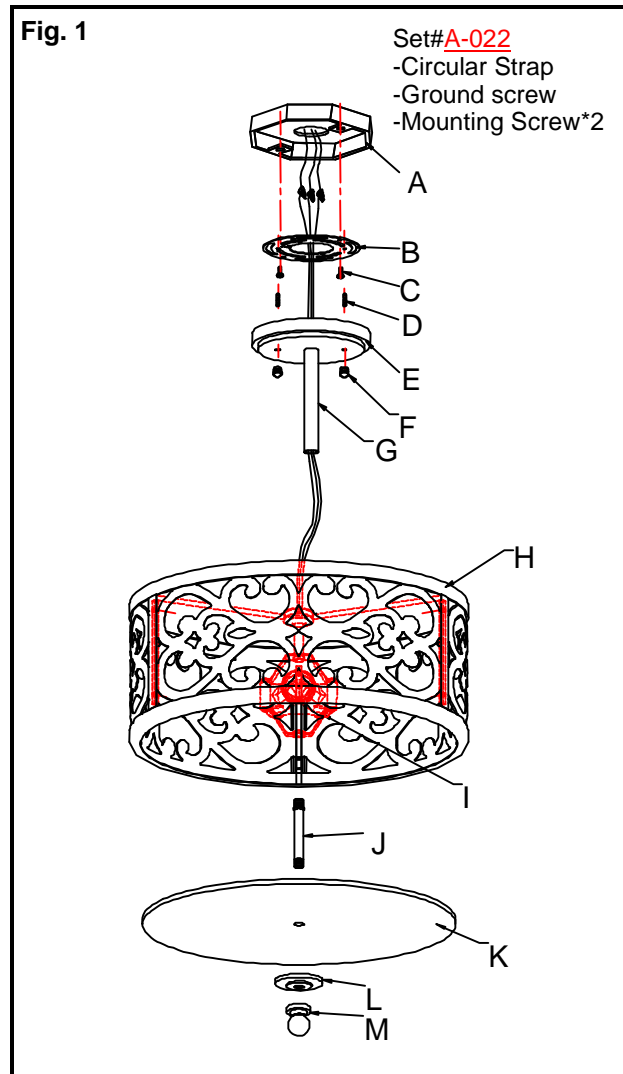


Fig. 2

